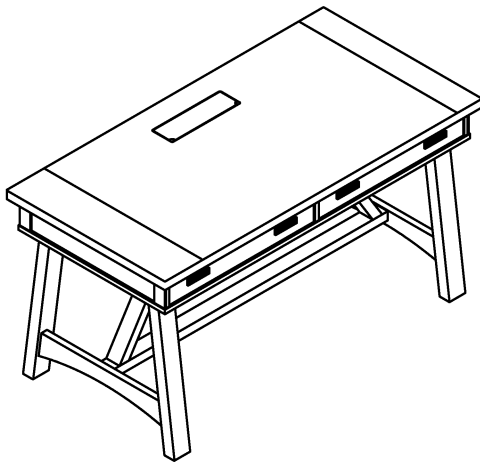


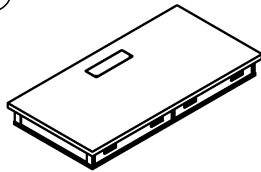
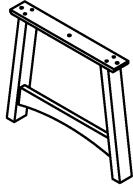
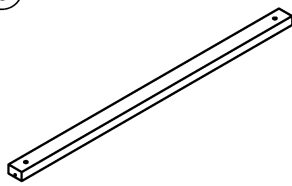
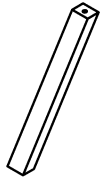




# Assembly Instruction

Item No: AME#360D- COT/CRAN/DEN/DOV

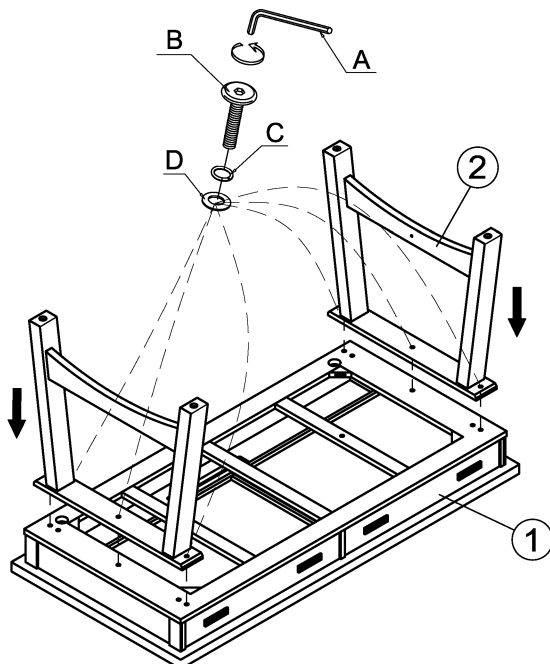
Description: 60" WRITING DESK



## PARTS LIST:

①		②	
TABLE TOP : 1PC		FRAME LEG: 2PCS	
③		④	
STRETCHER : 1PC		CENTER POST: 2PCS	
HARDWARE LIST			
NO.	Drawing	Description	
A		Allen wrench (5mm)	1pc
B		Bolt Ø5/16"x1-1/2	12pcs
C		Spring washer (Ø5/16")	12pcs
D		Flat washer (Ø5/16"x19mm)	12pcs

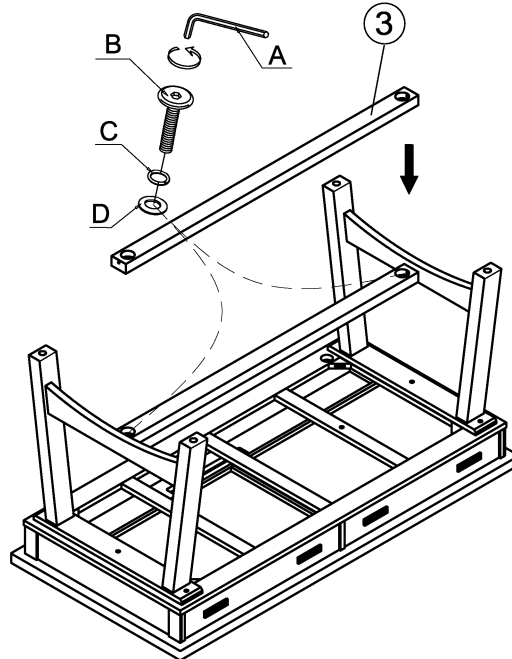
## STEP1



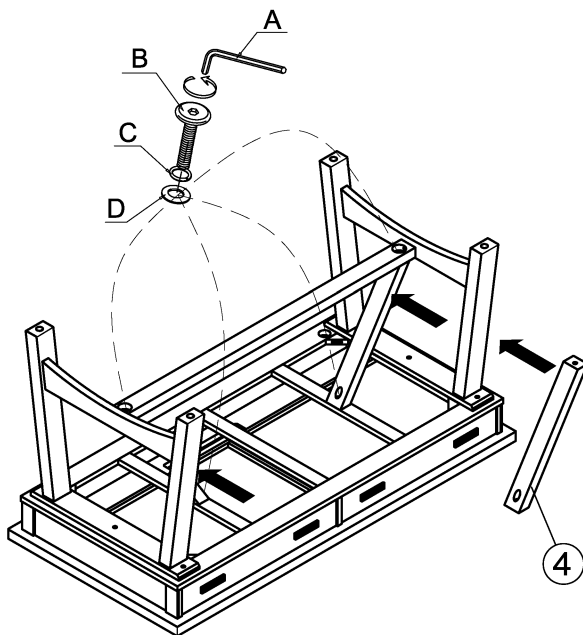
Item No: AME#360D- COT/CRAN/DEN/DOV

Description: 60" WRITING DESK

**STEP 2**



**STEP 3**



**STEP 4**

