



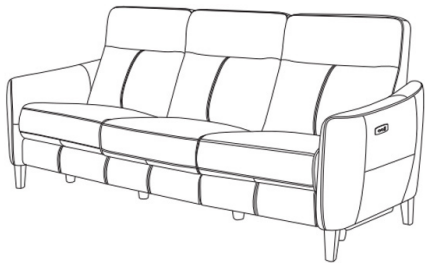


A	5326B-3(2A) side leg		x 2
B	5326B-3(2A) bolt		x 4
C	5326B-3(2A) supportive leg		x 4
D	5326B-3(2A) allen key		x 1

269675

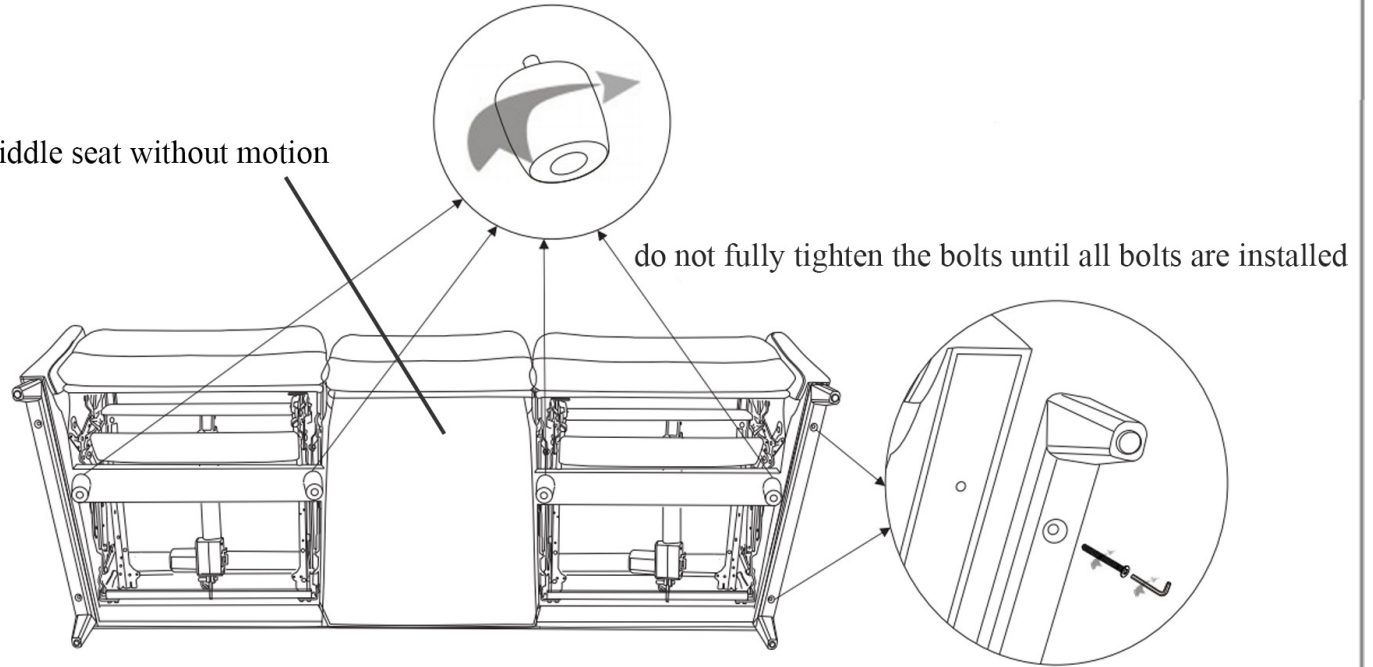
**BELINDA LEATHER POWER
RECLINING SOFA**



1

the side legs and supportive legs are packed in red EPE bag with a red string in the carton

middle seat without motion



2

insert back cushion to seat cushion then the assembling is complete

