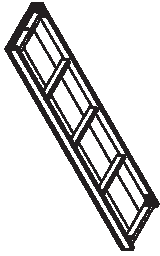







## MONTEREY GATHERING TABLE

*Assembly instructions:*

### PARTS LIST

No.	DESCRIPTION	IMAGE	QTY
P1	TABLE TOP		1
P2	LEGG		2

### HARDWARE LIST

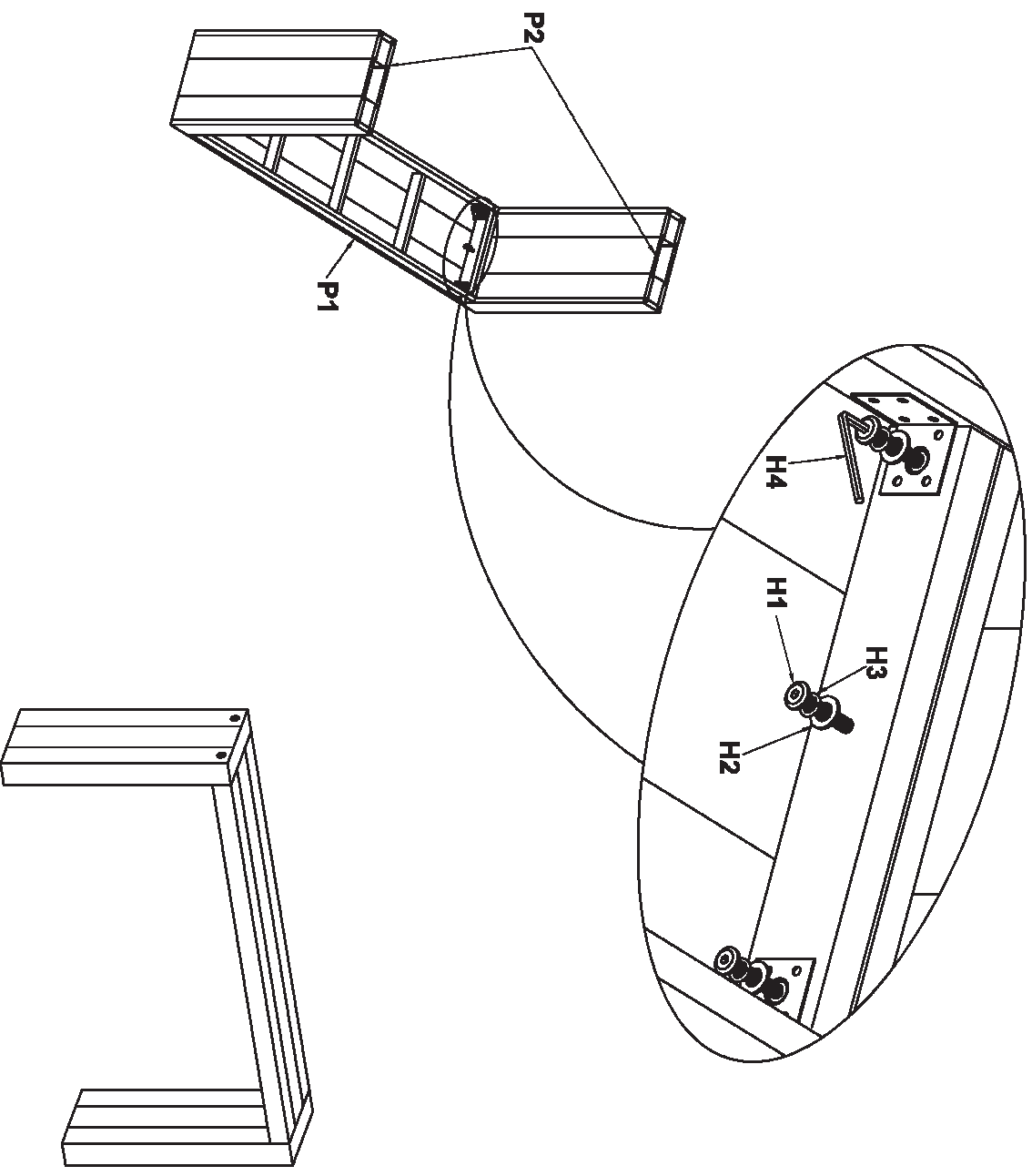
No.	DESCRIPTION	IMAGE	QTY
H1	BOLT Ø8x70		6
H2	FLAT WASHER Ø8x18		6
H3	SPRING WASHER Ø8x15		6
H4	ALLEN KEY		1

**NOTE:** PO# is located underneath/ inside of each item. Please be prepared to provide this # should any claim be necessary.

**CAUTION:** Item is heavy assembly should be performed by two people.

**Estimate assembly time: 2,5 minutes**

**1**



**ASSEMBLY COMPLETED**