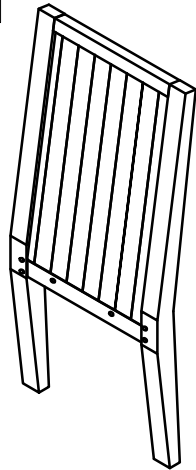


ALEXANDRA WOOD CHAIR ASSEMBLY INSTRUCTIONS

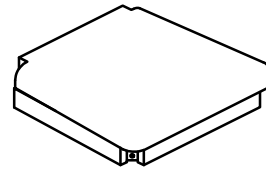


PARTS PACKING CONFIGURATIONS

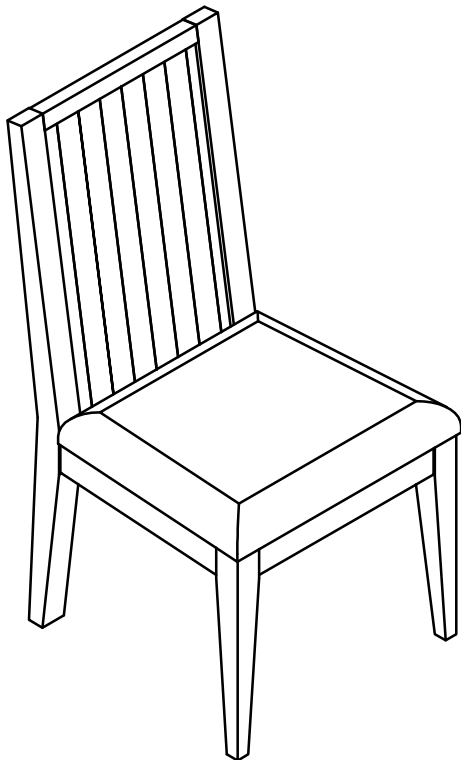
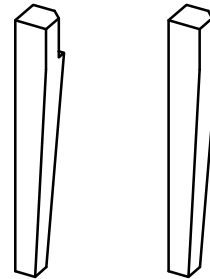
A. CHAIR BACK : 1 PC



B. CHAIR SEAT : 1 PC



C. FRONT LEGS : 2 PCS



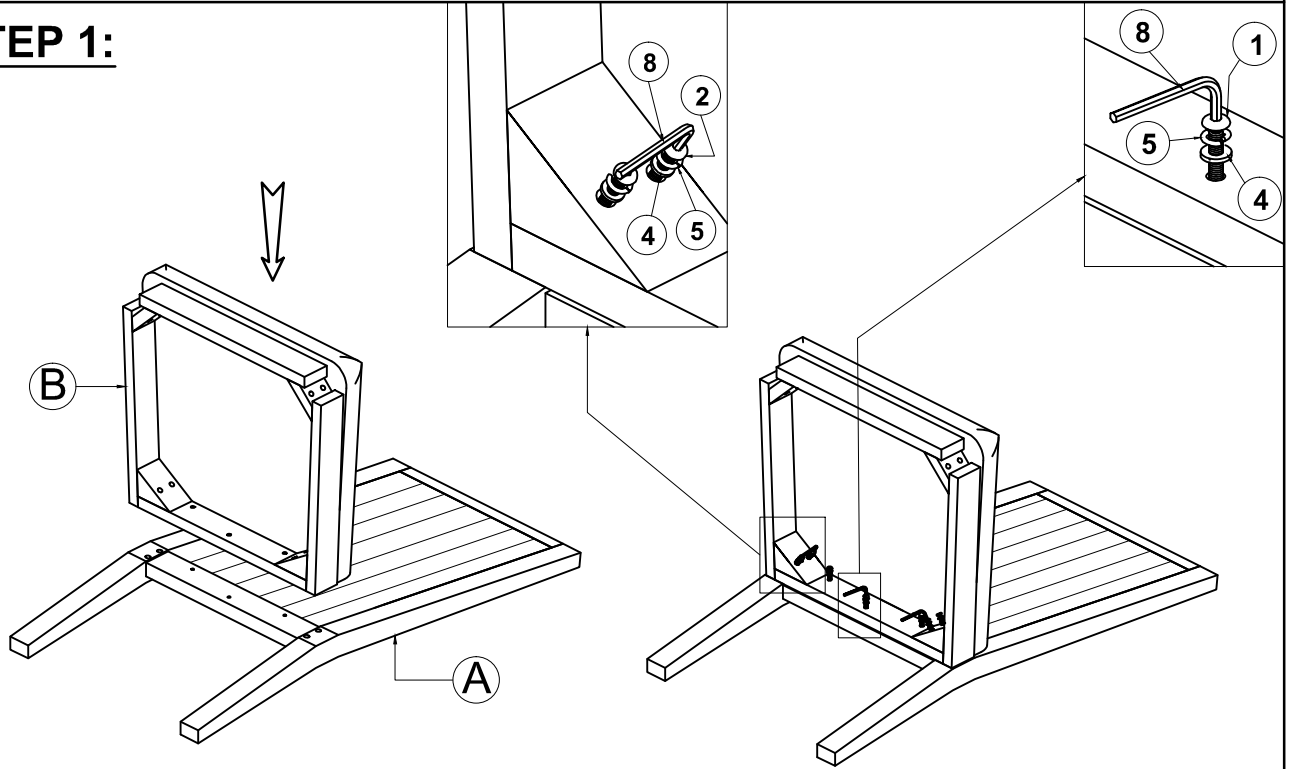
HARDWARE LIST:

No.	Description	Photo	Quantity
1	ALLEN BOLT (M6 x 45)		3 PCS
2	ALLEN BOLT (M6 x 90)		4 PCS
3	HEX NUT (M8)		4 PCS
4	FLAT WASHERS (M6)		7 PCS
5	SPRING WASHERS (M6)		7 PCS
6	FLAT WASHERS (M8)		4 PCS
7	SPRING WASHERS (M8)		4 PCS
8	ALLEN KEY M4		1 PC
9	SPANNER		1 PC

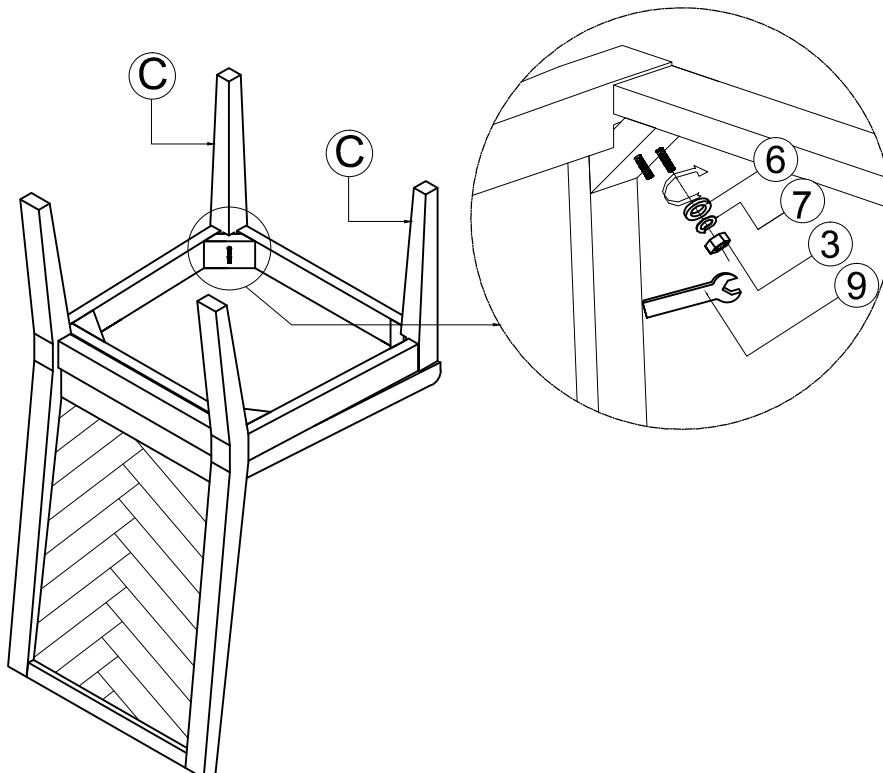
ALEXANDRA WOOD CHAIR ASSEMBLY INSTRUCTIONS



STEP 1:



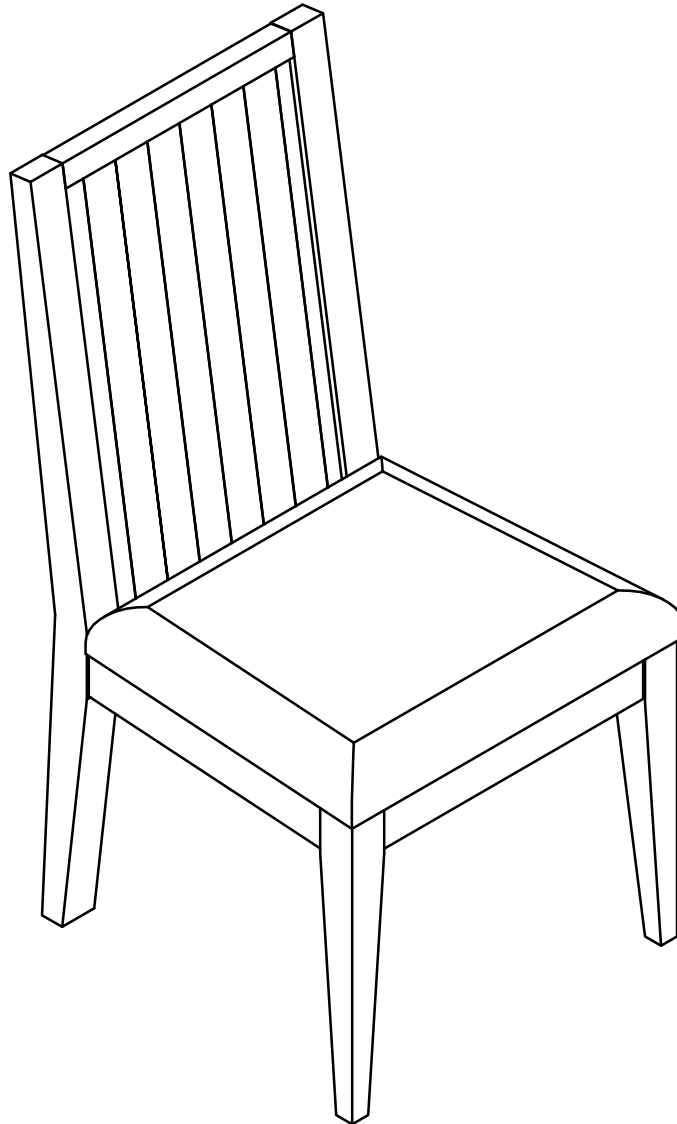
STEP 2:



ALEXANDRA WOOD CHAIR ASSEMBLY INSTRUCTIONS



ALEXANDRA WOOD CHAIR FULLY ASSEMBLED :



IF YOUR CHAIR IS NOT LEVEL AFTER ASSEMBLY, MOVE CHAIR TO A FLAT, LEVEL AREA. LOOSEN, BUT DO NOT COMPLETELY UNDO, ALL BOLTS. ONCE CHAIR ASSEMBLY IS LOOSE, LEVEL CHAIR ON FLAT SURFACE. ONCE LEVEL, RETIGHTEN ALL ASSEMBLY BOLTS.