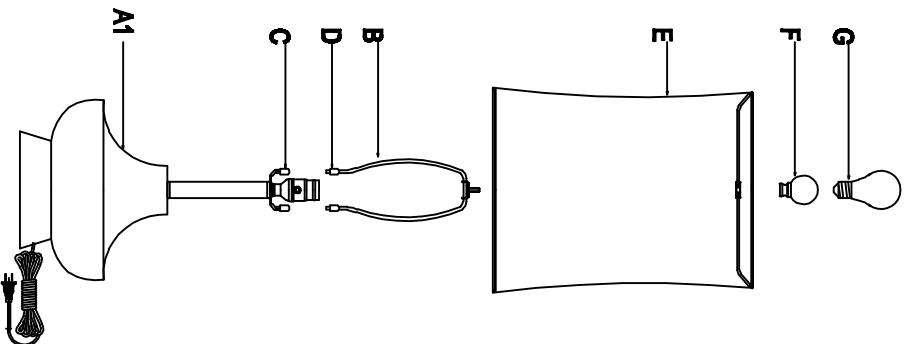


### ASSEMBLY INSTRUCTIONS

1. Carefully remove all lamp parts from the box.
2. Stand lamp base (A1) on a flat surface.
3. Insert harp (B) to metal bracket (C).
4. Secure harp (B) by sliding metal part (D) over bracket (C).
5. Attach shade (E) to harp (B) and secure with finial (F).
6. Insert bulb (G) - NOT INCLUDED.



### ASSEMBLY INSTRUCTIONS

1. Carefully remove all lamp parts from the box.
2. Stand lamp base (A1) on a flat surface.
3. Insert harp (B) to metal bracket (C).
4. Secure harp (B) by sliding metal part (D) over bracket (C).
5. Attach shade (E) to harp (B) and secure with finial (F).
6. Insert bulb (G) - NOT INCLUDED.

