
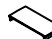
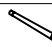






NATE + JEREMIAH

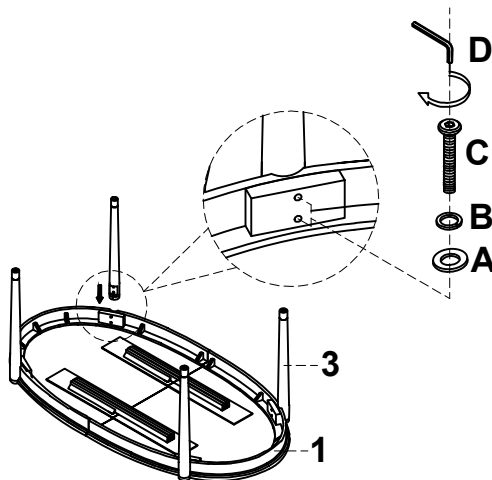
FOR LIVING SPACES

1	PD5308-31TP		X1
2	PD5308-31LT		X1
3	PD5308-31LG		X4
A	PD5308-08SC1	 5/16" DIAMETER x 3/4" x 1/16"	X8
B	P99-00R	 5/16" DIAMETER x 1/2" x 1/16"	X8
C	P99-00R	 1/4" DIAMETER x 1-5/8"	X8
D	P99-00R	 ALLEN KEY 4mm	X1

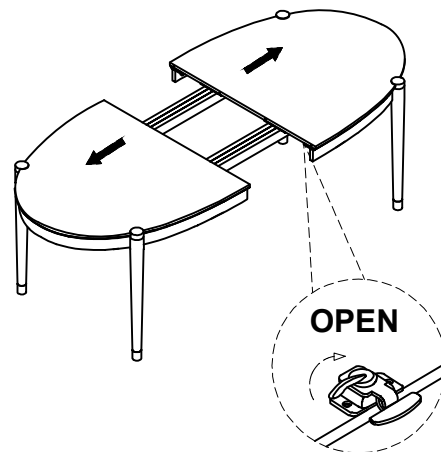
BRIGHTON



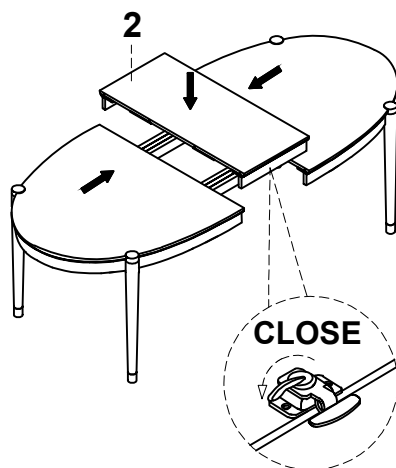
1



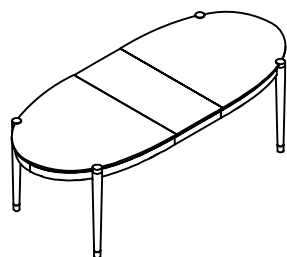
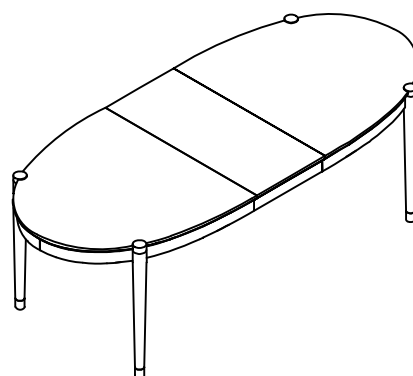
2



3



4



269682
D5308-31 OVAL DINING TABLE



WARNING:
ONLY USE THE HAND
TOOLS PROVIDED

NOTE:
THE TABLE OR CASE SHOULD BE LOCKED IN POSITION
AND LEVELLED USING A SPIRIT LEVEL. (SPIRIT LEVEL NOT INCLUDED)