









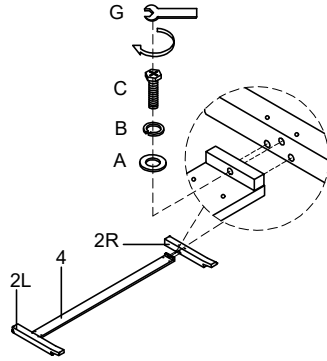
# NATE+ JEREMIAH

FOR LIVING SPACES

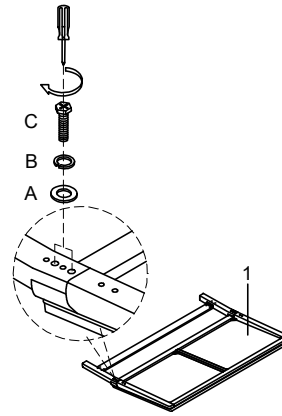
## BOX OF HEADBOARD (BOX 1)

A	PB5308-50H-HD	 X14 5/16" DIAMETER X 19 X 2MM
B	PB5308-50H-HD	 X14 5/16" DIAMETER X 12 X 2MM
C	PB5308-50H-HD	 X14 5/16" DIAMETER X 1 3/4" LENGTH
1	PB5308-70HB	 X1
2L	PB5308-50H-HL1	 X1
2R	PB5308-50H-HL2	 X1
3	PB5308-50H-MP	 X2
4	PB5308-60H-SR	 X1

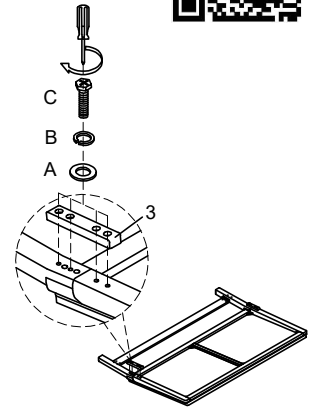
①



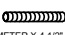




②



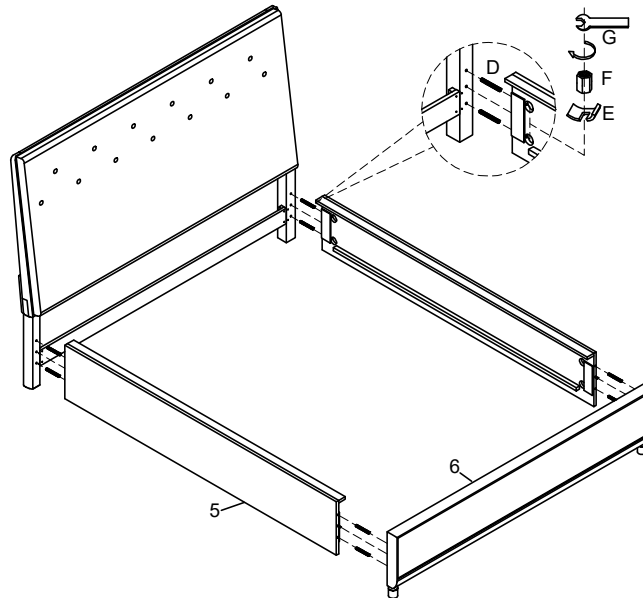
③



## BOX OF SIDE RAIL (BOX 2)

D	PB5308-50R-HD	 X8 5/16" DIAMETER X 4 1/2" LENGTH
E	PB5308-50R-HD	 X8 5/16" DIAMETER X 34 X 16 X 3MM
F	PB5308-50R-HD	 X8 5/16" DIAMETER X 17MM
G	PB5308-50R-HD	 X1 12MM
5	PB5308-70R	 X2





④



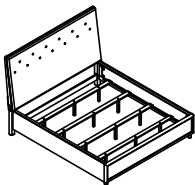
**WARNING:**  
ONLY USE THE HAND  
TOOLS PROVIDED

**TOOLS REQUIRED (NOT PROVIDED):**  
PHILLIPS SCREW DRIVER 

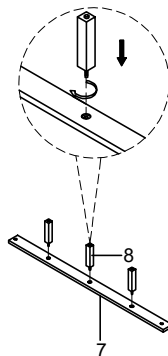
## BOX OF FOOTBOARD, SLATS & SUPPORT LEG (BOX 3)

H	P99-00SR	 X8 #4 X 25MM LENGTH
6	PB5308-70FB	 X1
7	P99-00KSL	 X4 195x76x18mm
8	PB5308-50F-SS	 X12 203x34x34mm

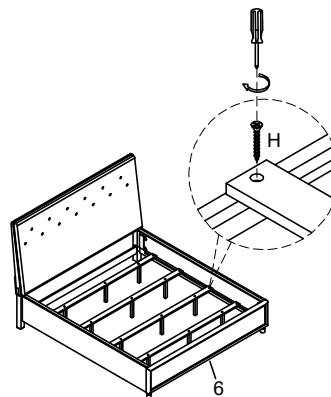
BRIGHTON



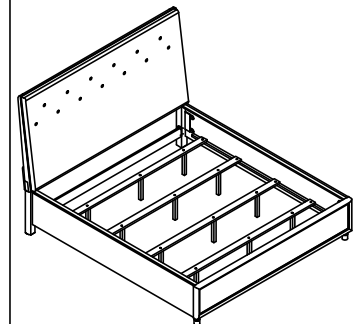
⑤



⑥



⑦



269642/B5308-70H CAL KING ISLAND BED UPH HB  
269641/B5308-70F CAL KING ISLAND BED UPH FB  
269643/B5308-70R CAL KING ISLAND BED UPH RAILS



ASSEMBLY COMPLETED