

ASSEMBLY INSTRUCTIONS



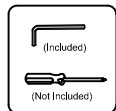
LIVING SPACES

A	HEADBOARD		X1
B	FOOTBOARD		X1
C	HB LEG L&R		X2
D	SIDE RAIL		X2
E	BED SLAT		X4
F	JCBC BOLT		X6 M6 x 30mm
G	SPRING WASHER		X6 1/4"
H	FLAT WASHER		X6 1/4" ID x 13mm
I	ALLEN KEY		X1
J	ALLEN KEY		X1
K	FLAT HEAD CHIPBOARD SCREW		X8 M4 x 32mm

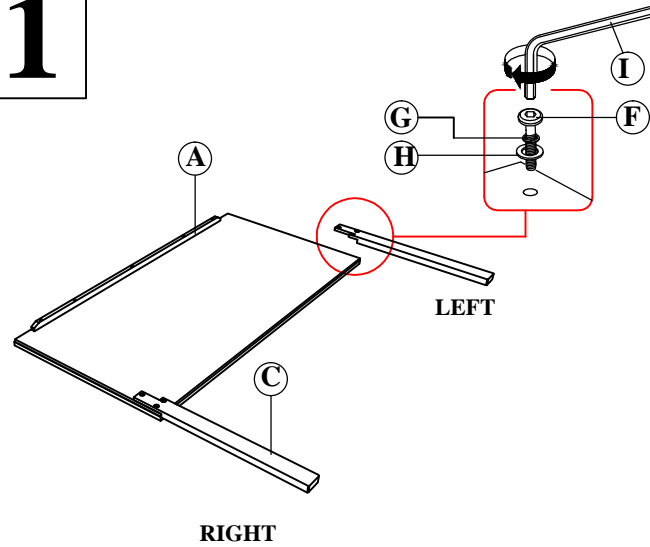
TWIN BED



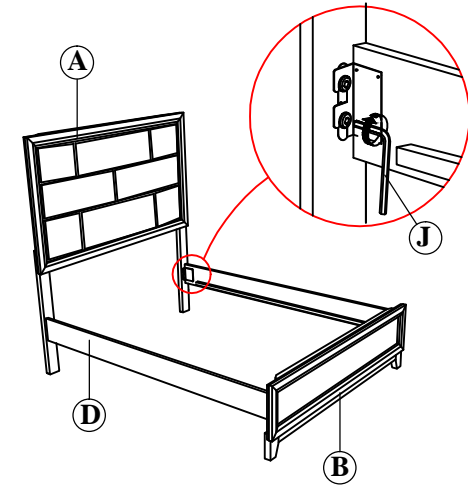
B4620/B4630-T-HBFB/B4620-FT-RAIL
TWIN BED



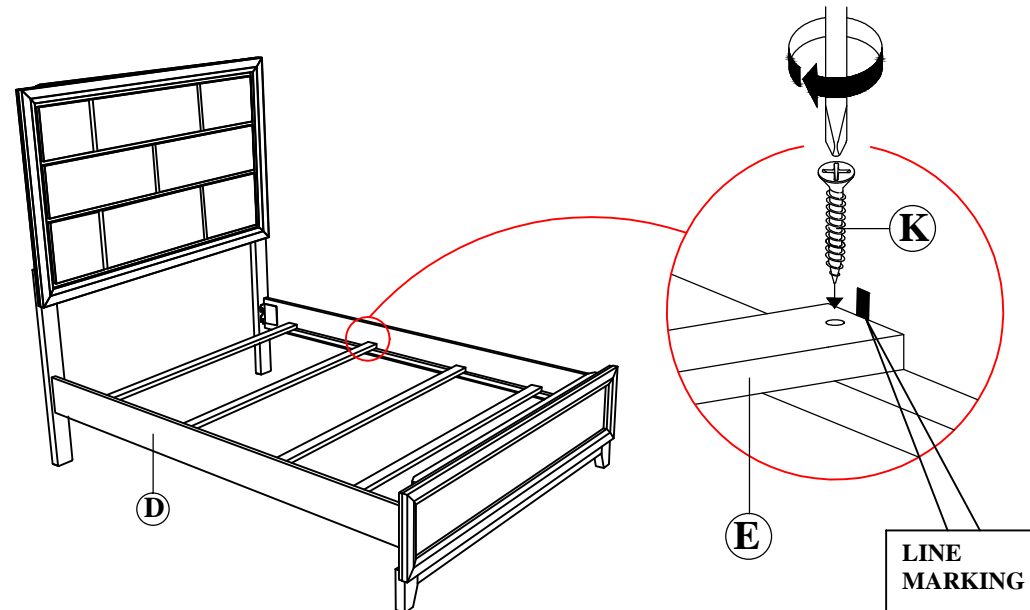
1



2



3



NOTE : MUST TIGHTEN SCREWS PERIODCALLY WITH USE SCREW WILL BECOME LOOSE CHECK TIGHTNESS OF ALL SCREW EVERY 6-8 WEEKS.