

# ASSEMBLY INSTRUCTIONS

## CROWNMARK B4630/B4620-1 DRESSER

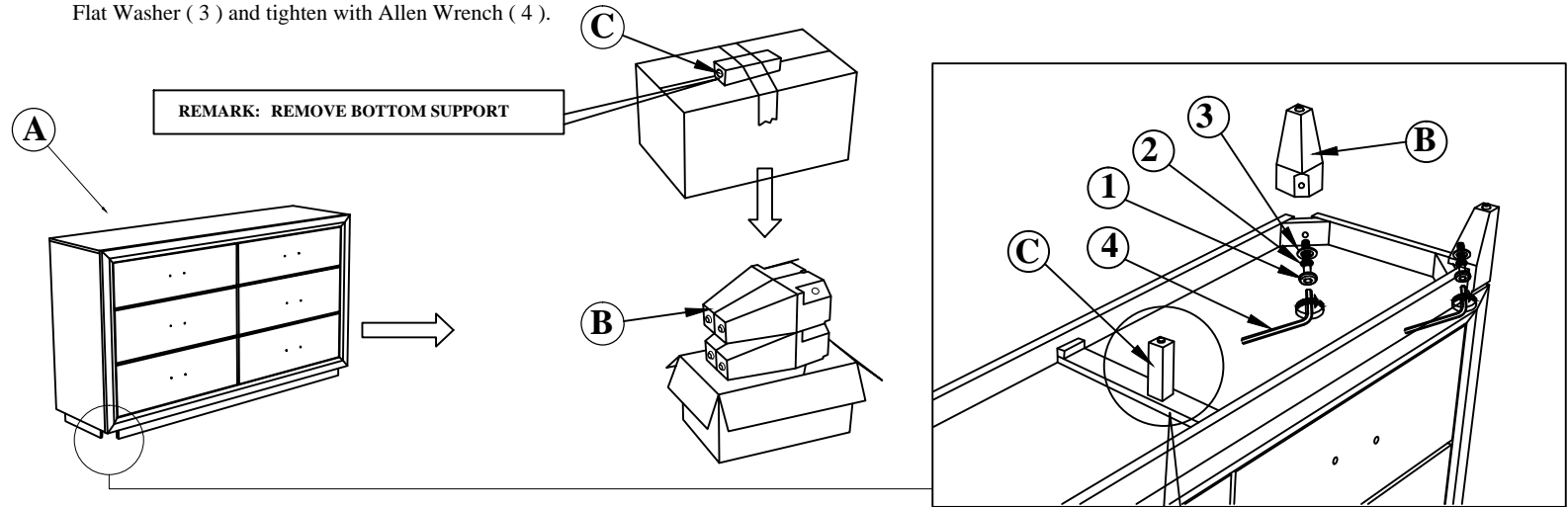
### (BOX 1) BOX OF DRESSER

| NO | ITEM           | QTY   |
|----|----------------|-------|
| A  | DRESSER        | 1 pc  |
| B  | BUN FOOT       | 4 pcs |
| C  | BOTTOM SUPPORT | 1 pc  |

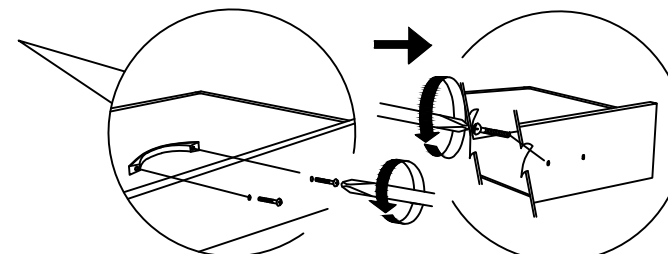
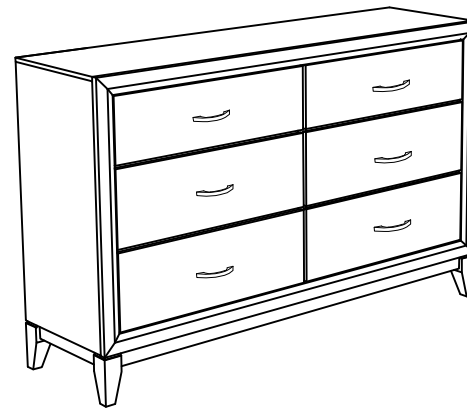
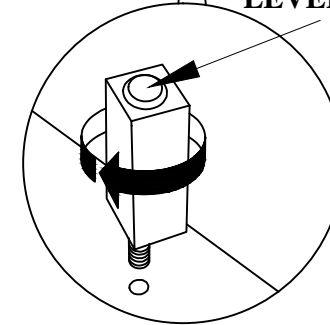
### (BOX 1) HARDWARE LIST

| NO | ITEM                            | QTY   |
|----|---------------------------------|-------|
| 1  | JCBC M6 x 50mm                  | 4 PCS |
| 2  | Spring Washer 1/4" Rbw          | 4 PCS |
| 3  | Flat Washer 1/4"ID x 19mmOD Blk | 4 PCS |
| 4  | ALLEN KEY m4x65mm Blk           | 1 pc  |

**STEP 1 :** Pull the drawer and take out the Bunfoot carton ( B ). Attach the Bunfoot ( B ) at the bottom Night Stand ( A ) used JCBC ( 1 ) with Spring Washer ( 2 ) Flat Washer ( 3 ) and tighten with Allen Wrench ( 4 ).



### LEVELER ADJUSTER



STEP 1.1

STEP 1.2

**COMPLETED ASSEMBLY**

NOTE : MUST TIGHTEN SCREWS **PERIODICALLY** WITH USE SCREW WILL BECOME LOOSE CHECK TIGHTNESS OF ALL SCREW EVERY 6-8 WEEKS.