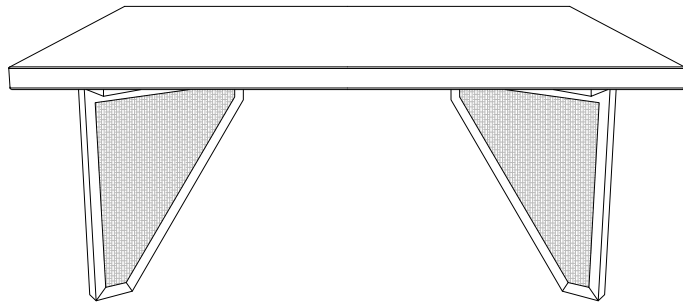




LIVING SPACES

# MACAROON CREAM + NATURAL CANE COFFEE TABLE

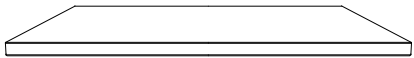
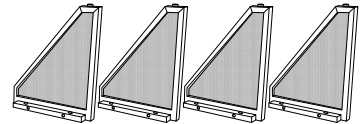
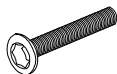
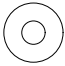


PM-MA20-44CK / 268587

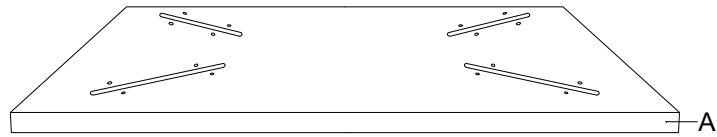
# MACAROON CREAM + NATURAL CANE COFFEE TABLE



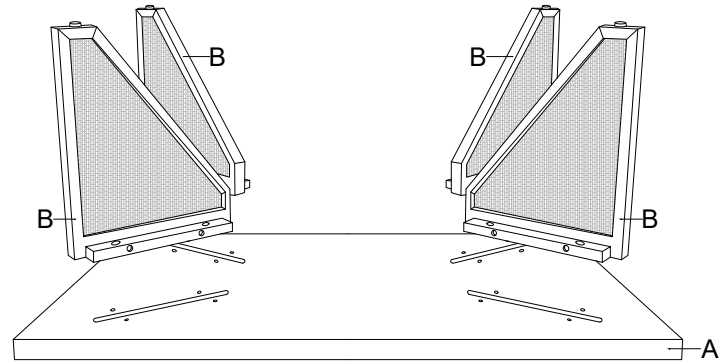
## PART LIST

A	PM-MA20-44CK-A	 TOP	x1
B	PM-MA20-44CK-B	 LEGS	x4
C	PM-MA20-44CK-C	 ALLEN BOLT (15/64" X 1 3/4")	x16
D	PM-MA20-44CK-D	 WASHER	x16

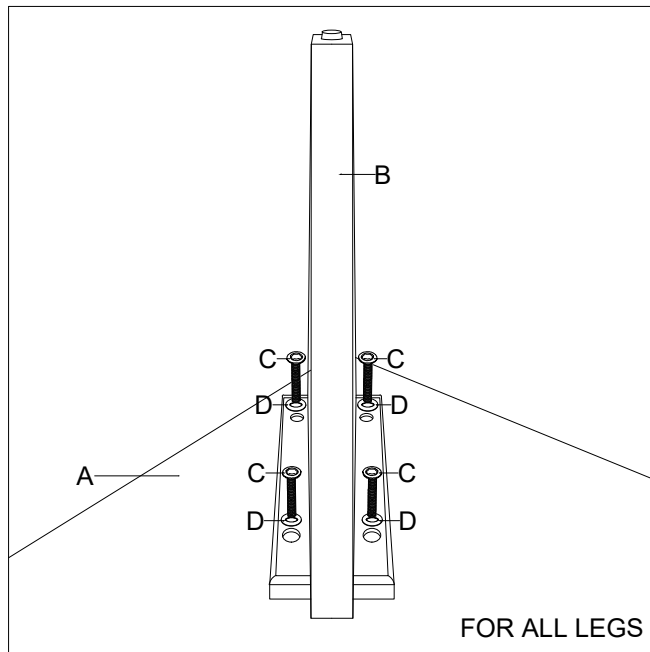
1



2



3



4

