

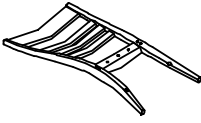
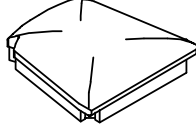
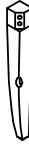

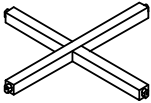


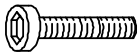



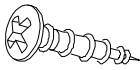


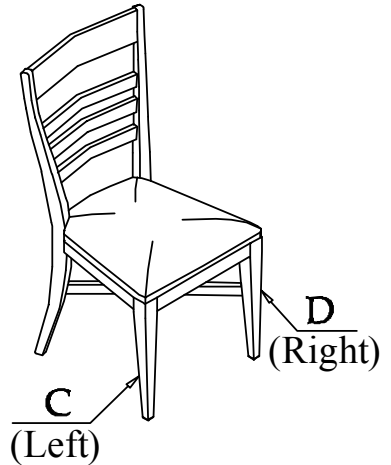
LIVING SPACES

Osborne
Dining
Assembly Instructions

Made in Viet Nam

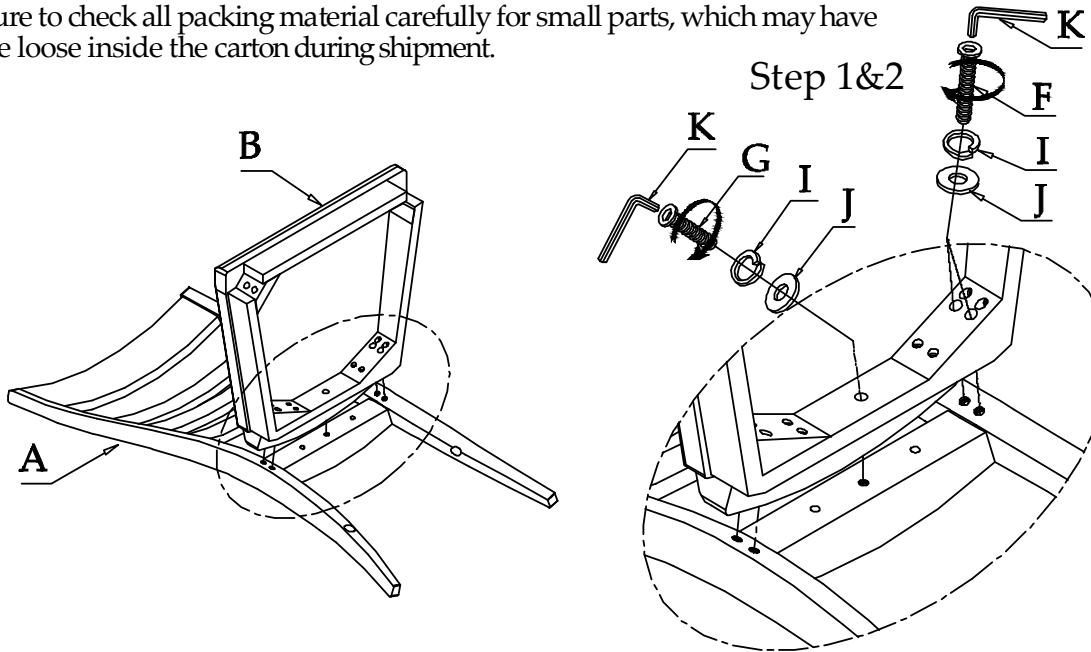
Components and Hardware List

Back Chair	Chair Seat	Front Leg	
		Left Leg	Right Leg
 (A) 1 pc.	 (B) 1 pc.	 (C) 1 pc.	 (D) 1 pc.
Stretcher  (E) 1 pc.	M5/16" x 3-1/2" Allen Head Bolt  (F) 4 pcs.	M5/16" x 1-3/4" Allen Head Bolt  (G) 1 pc.	M5/16" x 2-1/2" Allen Head Bolt  (H) 4 pcs.
5/16"x12*3mm Spring Washer  (I) 9 pcs.	5/16" x 19*2mm Flat Washer  (J) 9 pcs.	5mm Allen Wrench  (K) 1 pc.	Screw #8 x 1-1/4"  (L) 4 pcs.



#12157/#12153
Uph Ladrbk Side Chair 2in

Be sure to check all packing material carefully for small parts, which may have come loose inside the carton during shipment.



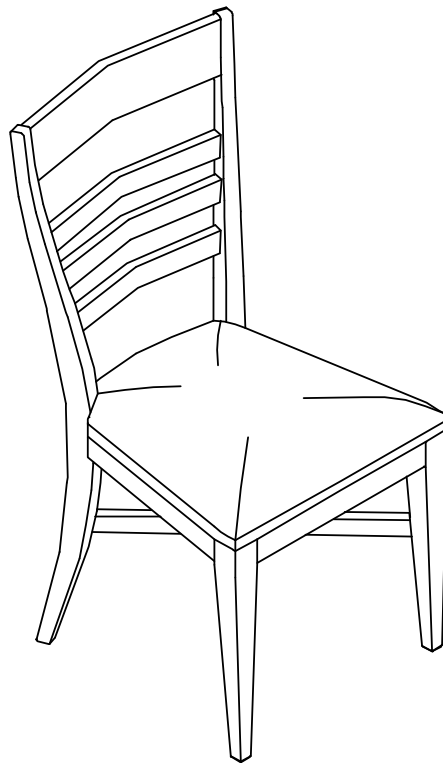
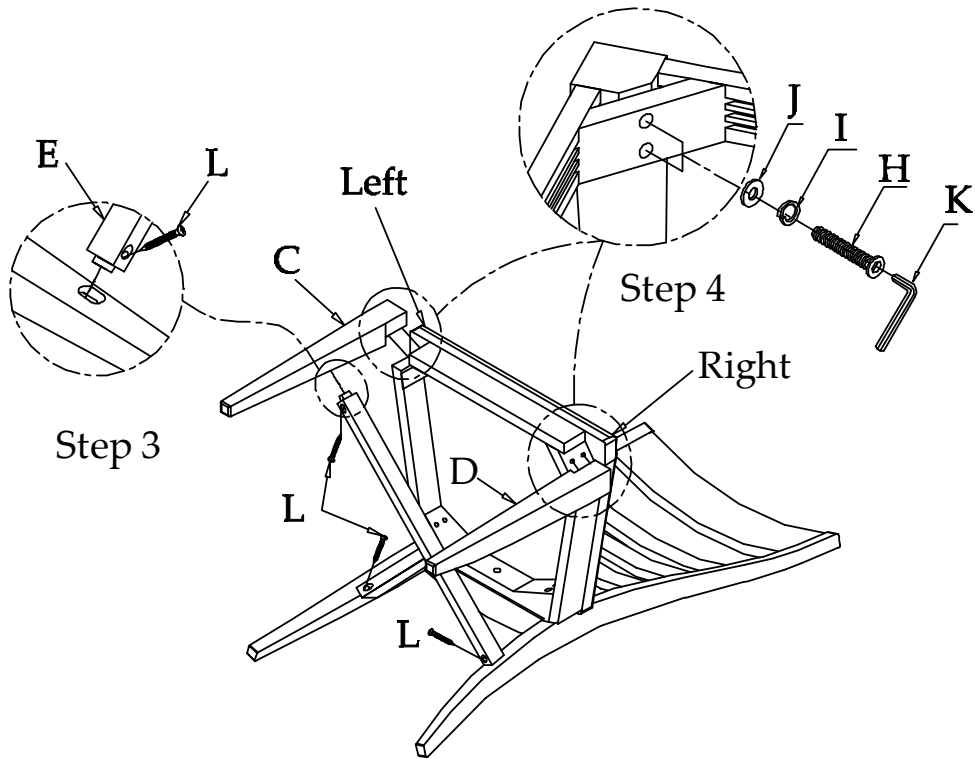
Do not fully tighten the bolts until the chair is completely assembled. Once chair is fully assembled, set the chair upright on a flat surface until it sits levels and then tighten all the bolts with the Allen Wrench provided. Attach all Velcro strips to the seat frame rails. Attach all Velcro strips around legs.



LIVING SPACES

Osborne
Dining
Assembly Instructions

Made in Viet Nam



Step 5