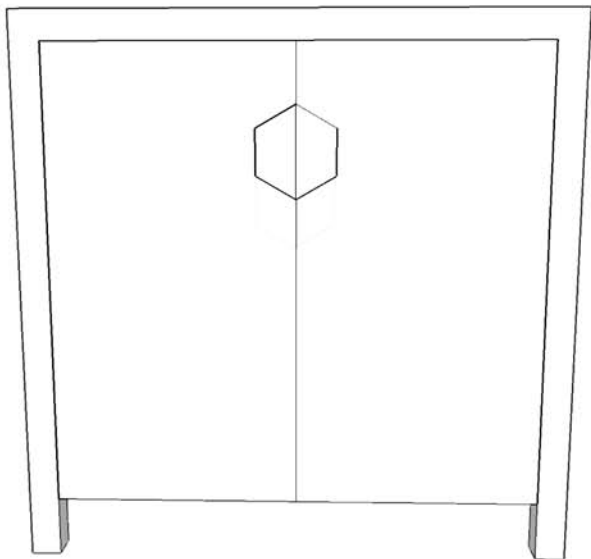




LIVING SPACES

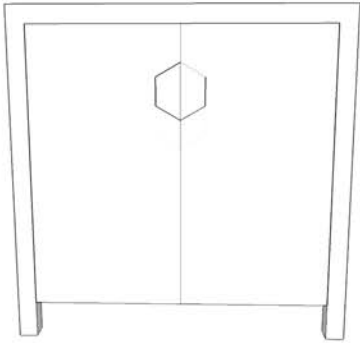
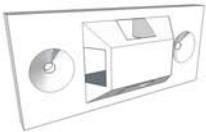
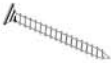


## 2 DOOR HEXAGON HANDLE CABINET



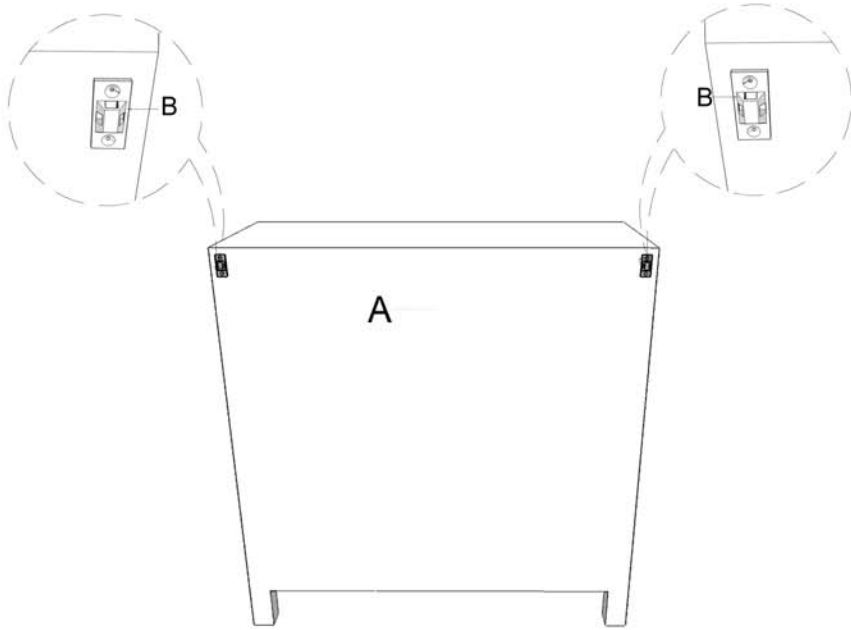
### PS-S1910-BUF-2D/268155 2 DOOR HEXAGON HANDLE CABINET



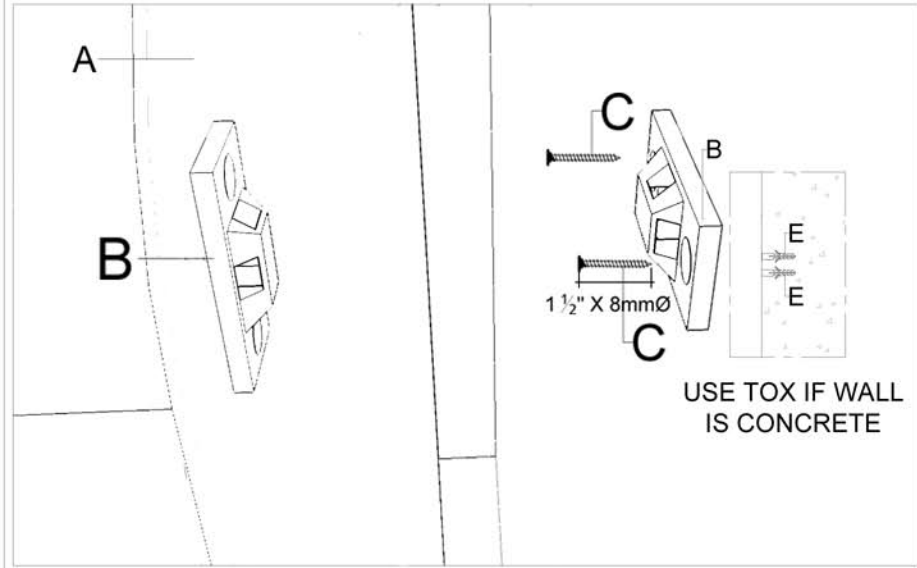
## PART LIST

A	PS-S1910-BUF-2D-A		
	x1		
B	PS-S1910-BUF-2D-B		TIP KIT
	2 sets		
C	PS-S1910-BUF-2D-C		WOOD SCREW 1 1/2" X 8mmØ
	x4		
D	PS-S1910-BUF-2D-D		WHITE CABLE TIE
	x2		
E	PS-S1910-BUF-2D-E		TOX (IF WALL IS CONCRETE)
	x4		

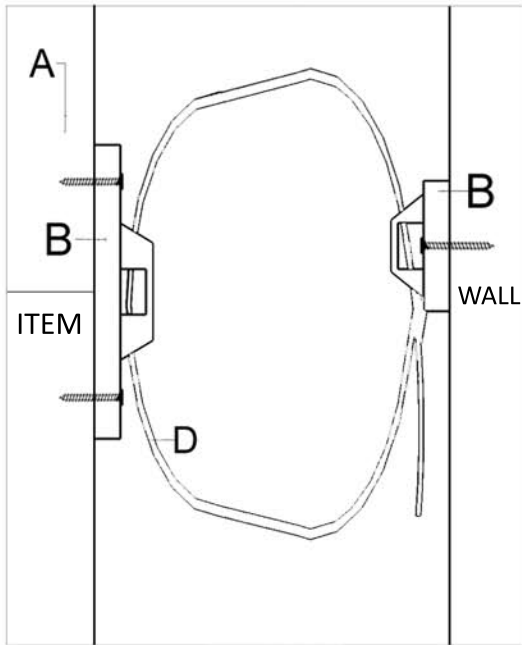
1



2



3



4

