

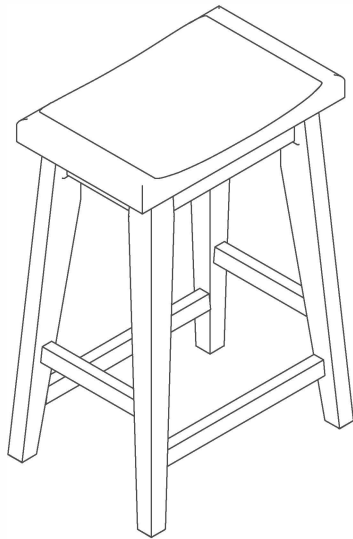


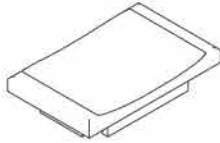
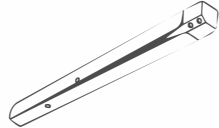
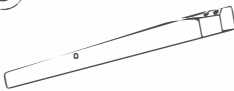
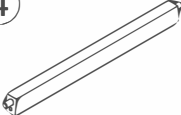
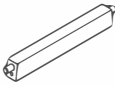
Assembly Instruction

Americana Modern Counter Stool

268020

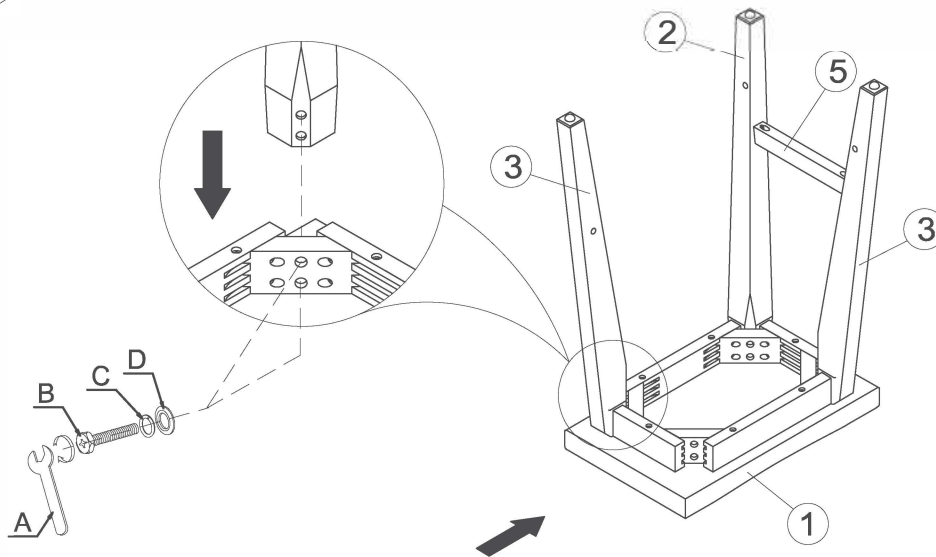
PARTS LIST:



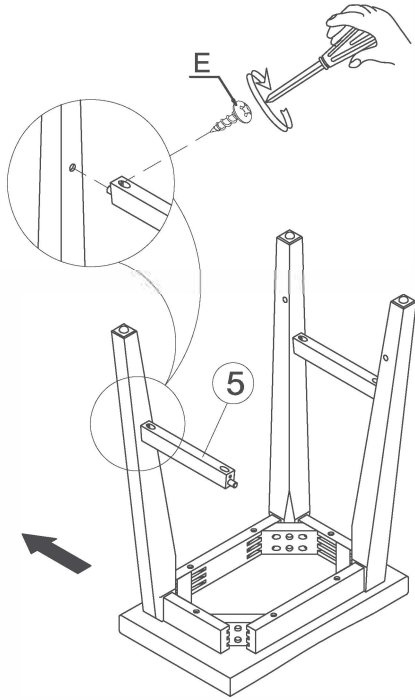
①		②	
SEAT CUSHION - FRAME: 1PC		RIGHT LEGS: 2PCS	
③		④	
LEFT LEGS: 2PCS		⑤	
FRONT+ BACK RAIL: 2PCS		SIDE RAIL: 2PCS	

④ HARDWARE LIST			
NO.	Drawing	Description	Q'TY
A		Ø5/16" Wrench (12mm)	1pc
B		Bolt (Ø5/16"x2-1/4")	8pcs
C		Spring washer (Ø5/16")	8pcs
D		Flat washer (Ø5/16"x19mm)	8pcs
E		Wood screw(Ø8*1-1/2")	8pcs

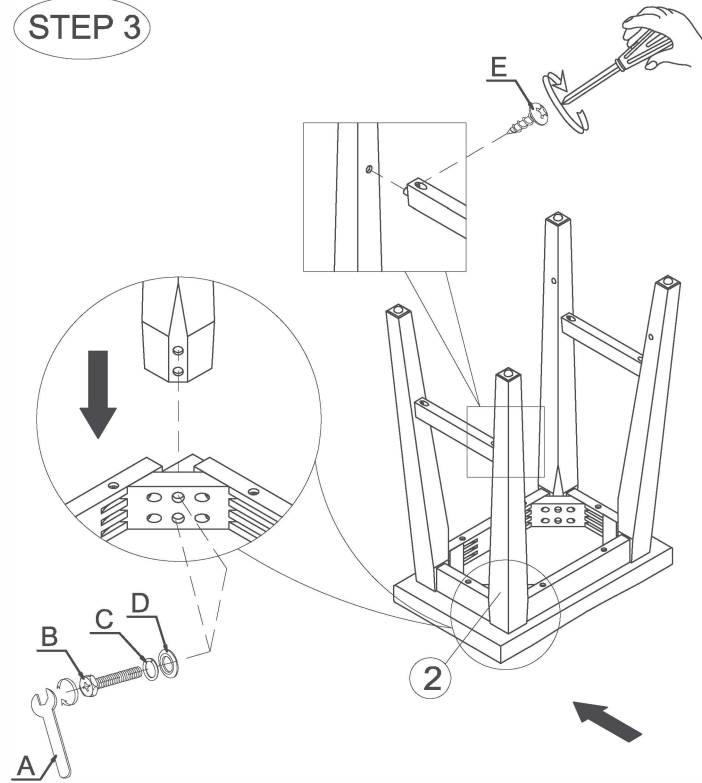
STEP 1



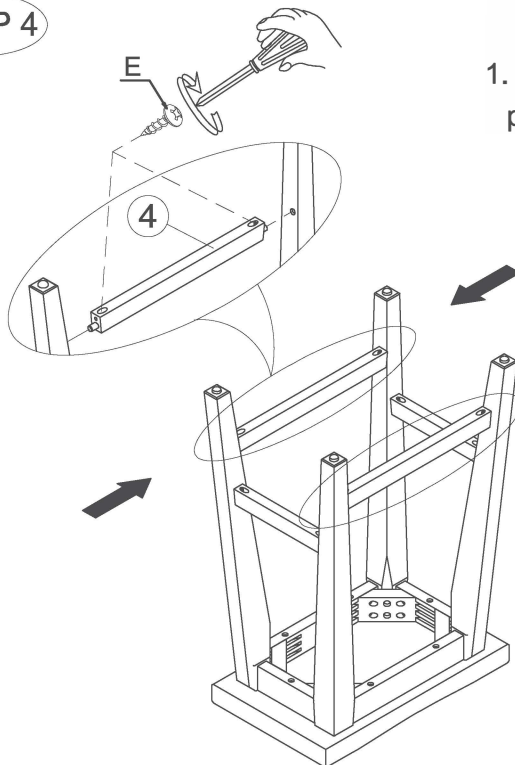
STEP 2



STEP 3



STEP 4



NOTE:

1. Do not full tighten screw until all parts are assembled.

