



LIVING SPACES

SANIBEL OUTDOOR COFFEE TABLE

19CT039-13791A
267827

Assembly Instruction

Parts List:

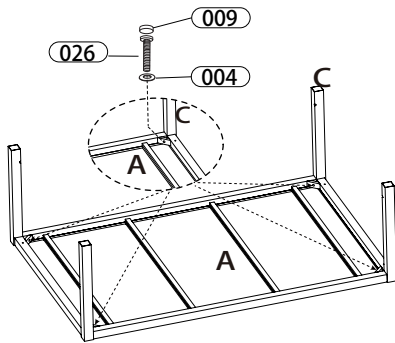
REF	DESCRIPTION	IMAGE	QTY
A	DESK TOP		1
B	CLAPBOARD		1
C	LEG		4
D	SIDE BAFFLE		2

Hardware List:

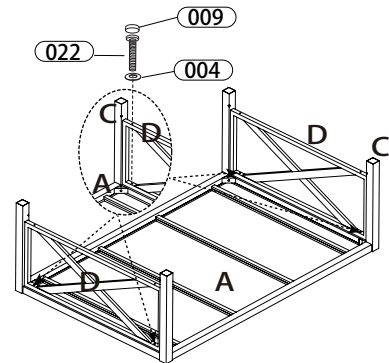
REF	DESCRIPTION	IMAGE	QTY
022	BOLT (M6*35L)		4
025	BOLT (M6*50L)		4
026	BOLT (M6*55L)		8
004	WASHER (M6,IDΦ6.5,ODΦ12)		16
009	PLASTIC BOLT CAP (M6)		16
001	ALLEN WRENCH (M6)		2

Diagram:

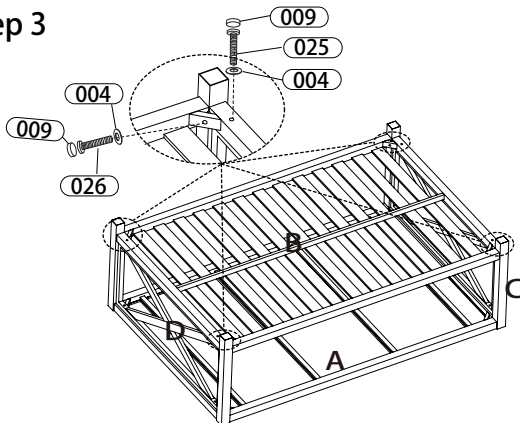
Step 1



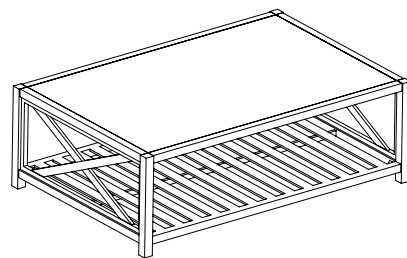
Step 2



Step 3



Step 4



Assembly Steps:

Tip- Remove protective wrapping and lay all parts on floor. Identify all parts packed in Carton against attached parts list to make sure all parts are presented.

Step 1: Install (C) on (A).as shown in diagram, using bolt (026) and washer (004).cover with pe cap.

Step 2: Install (D) on (A).as shown in diagram, using bolt (022) and washer (004).cover with pe cap.

Step 3: Install (B) on (C)/(D).as shown in diagram, using bolt (026)/(025) and washer (004).cover with pe cap.

Step 4: After all bolts are aligned properly before tightening. With a second person's Assistance carefully turn the table over onto its legs. Make sure legs rest on a flat surface.

NOTE: IT IS USER'S RESPONSIBILITY TO MAKE SURE ALL PARTS ARE ASSEMBLED AND TIGHTENED PROPERLY AND SECURELY.