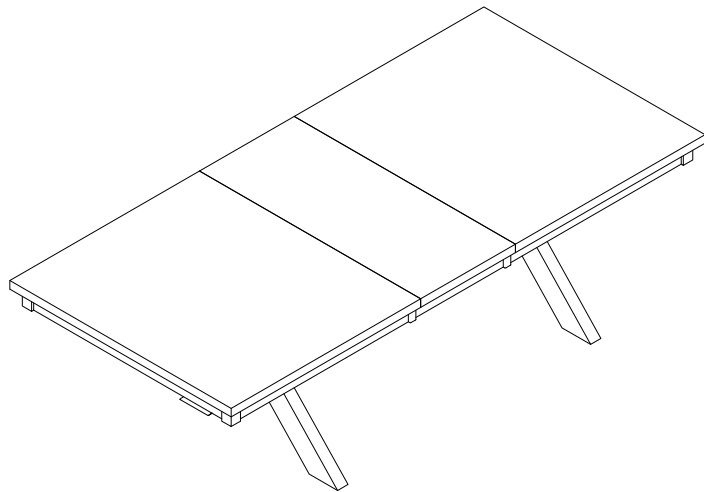


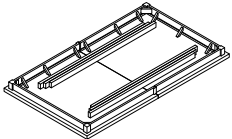
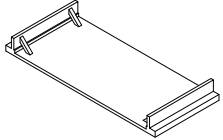
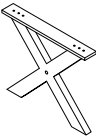
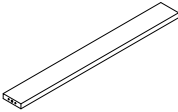



POLLIE EXTENSION DINING TABLE



SP-2020-01-D1 / 267682

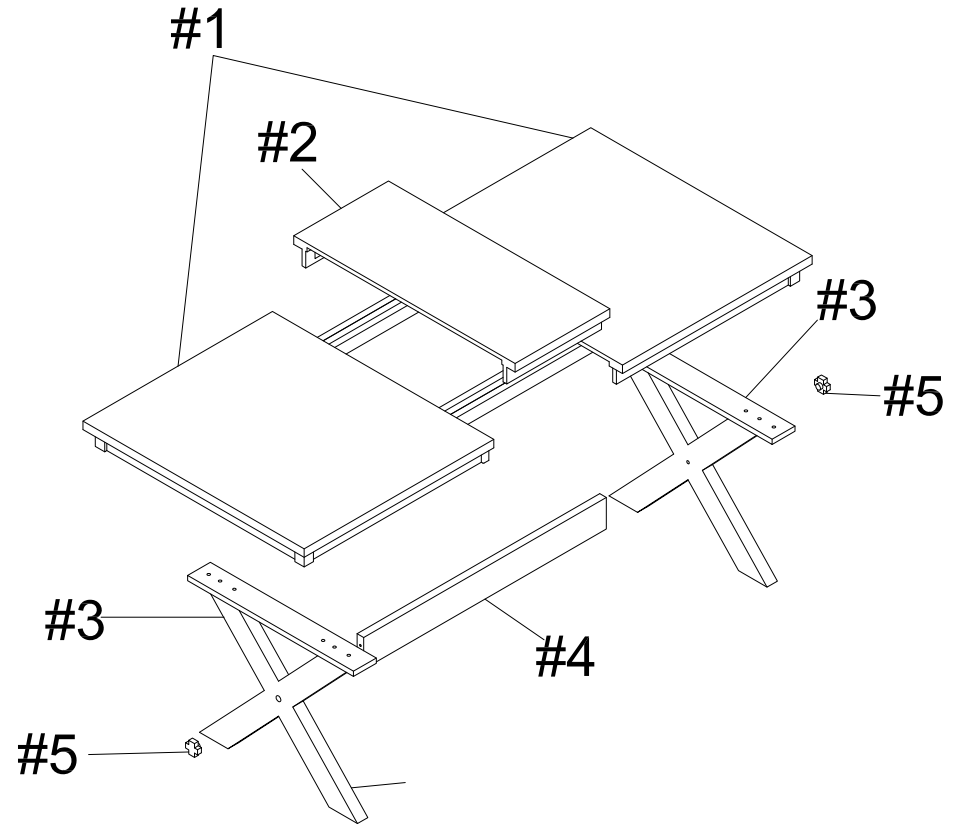


PART LIST		
#1		Table Top X1
#2		Table Leaf X1
#3		Leg X2
#4		Center Support X1
#5		Cap X2

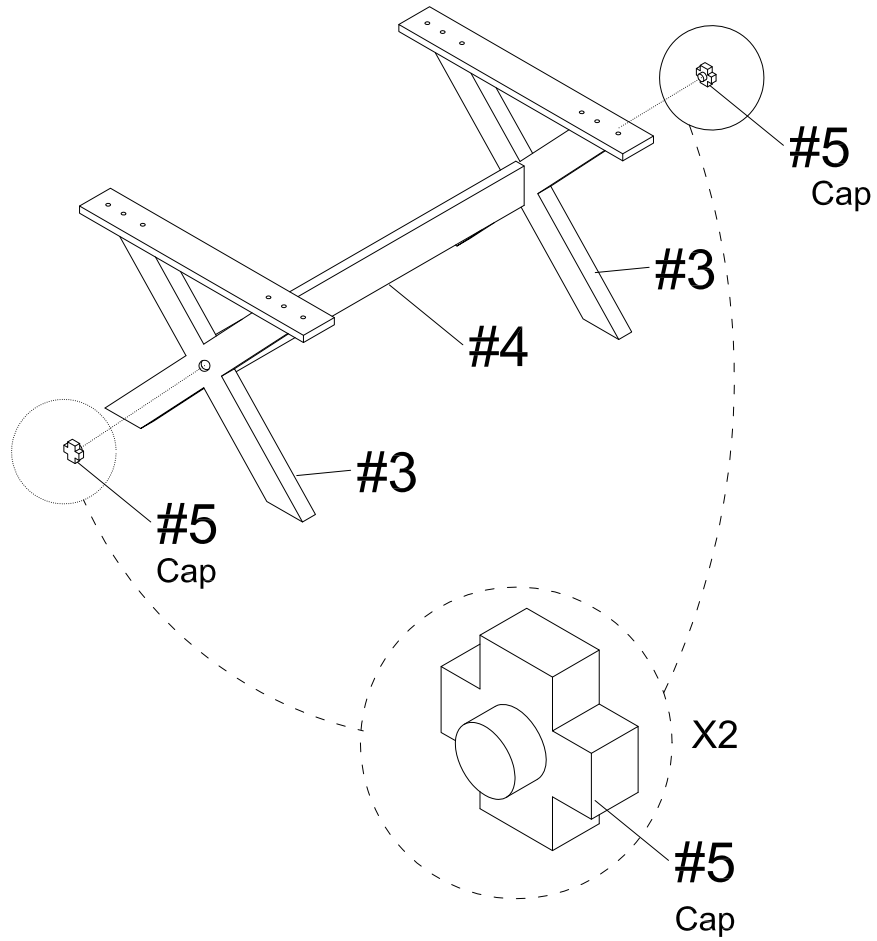
HARDWARE

#A		Blot $\text{\O} \frac{5}{16}$ "x50mm X2
#B		Blot $\text{\O} \frac{5}{16}$ "x35mm X8
#C		Flat Washer $\text{\O} \frac{5}{16}$ " X10
#D		Spring Washer $\text{\O} \frac{5}{16}$ " X10
#E		Wooden Pegs $\text{\O} 8$ x30mm X4
#F		Allen Key $\text{\O} 5$ mm X1

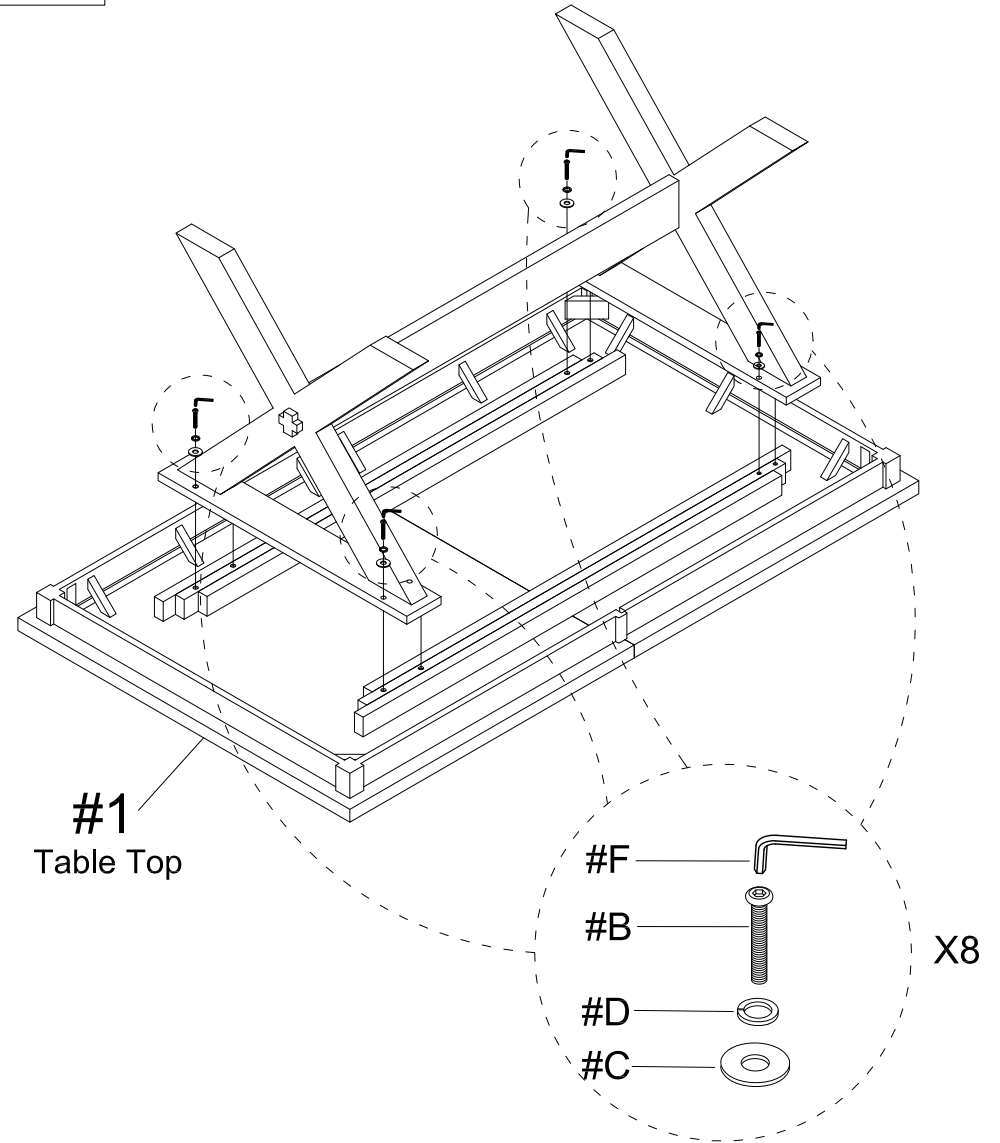
1



4

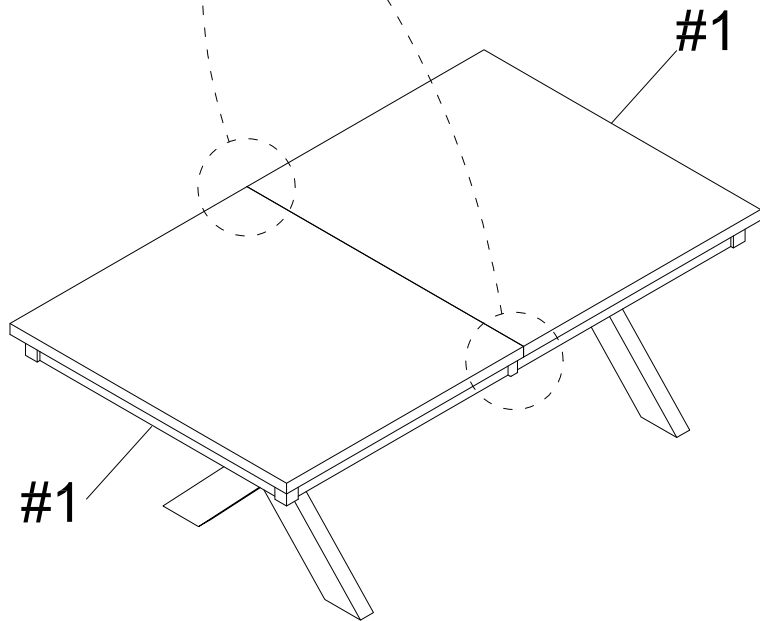
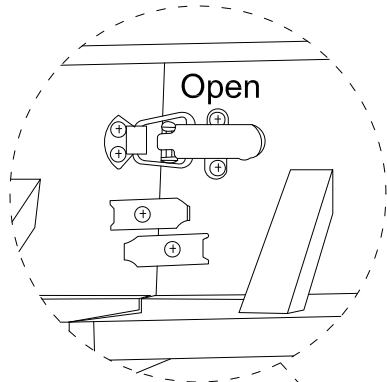


5

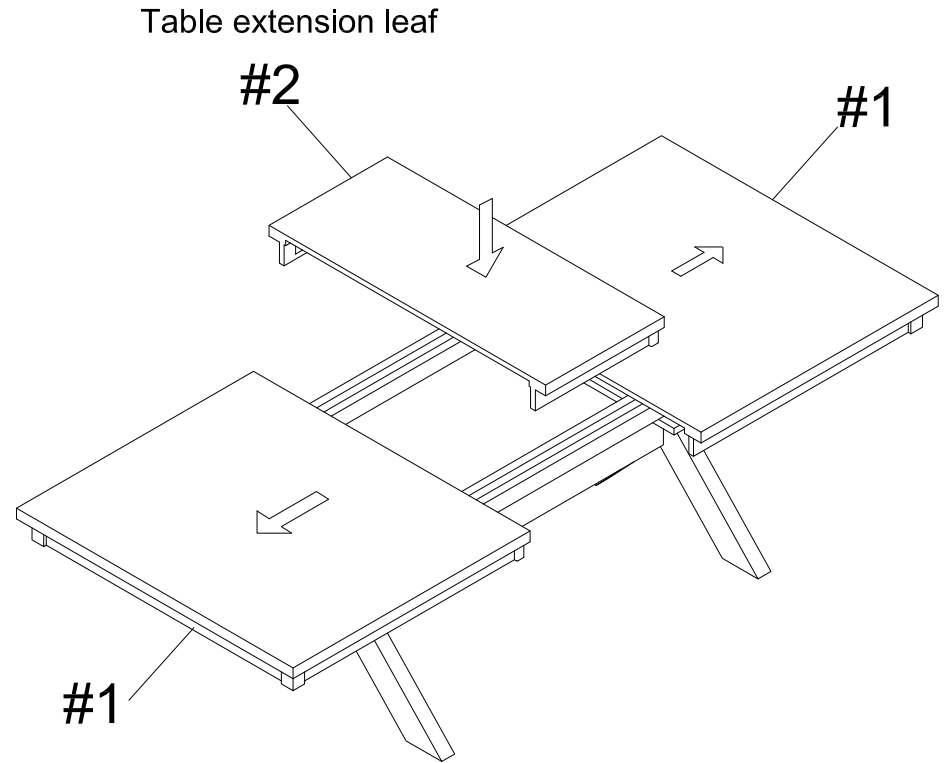


Notice: Place the table top on a carpeted or padded area to protect the surface from damage.

6



7



8

