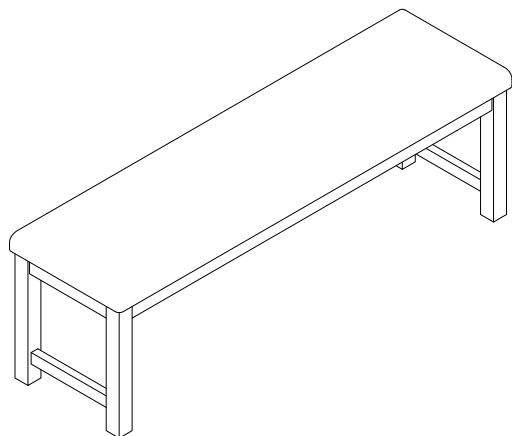




Scan QR code to view assembly video

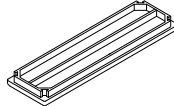


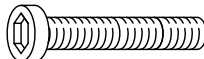


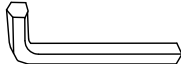

# POLLIE DINING BENCH



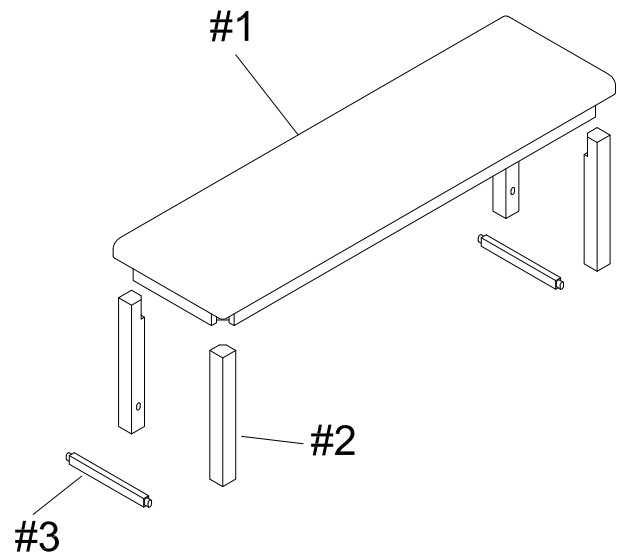
**SP-2020-01-B1 / 267678**



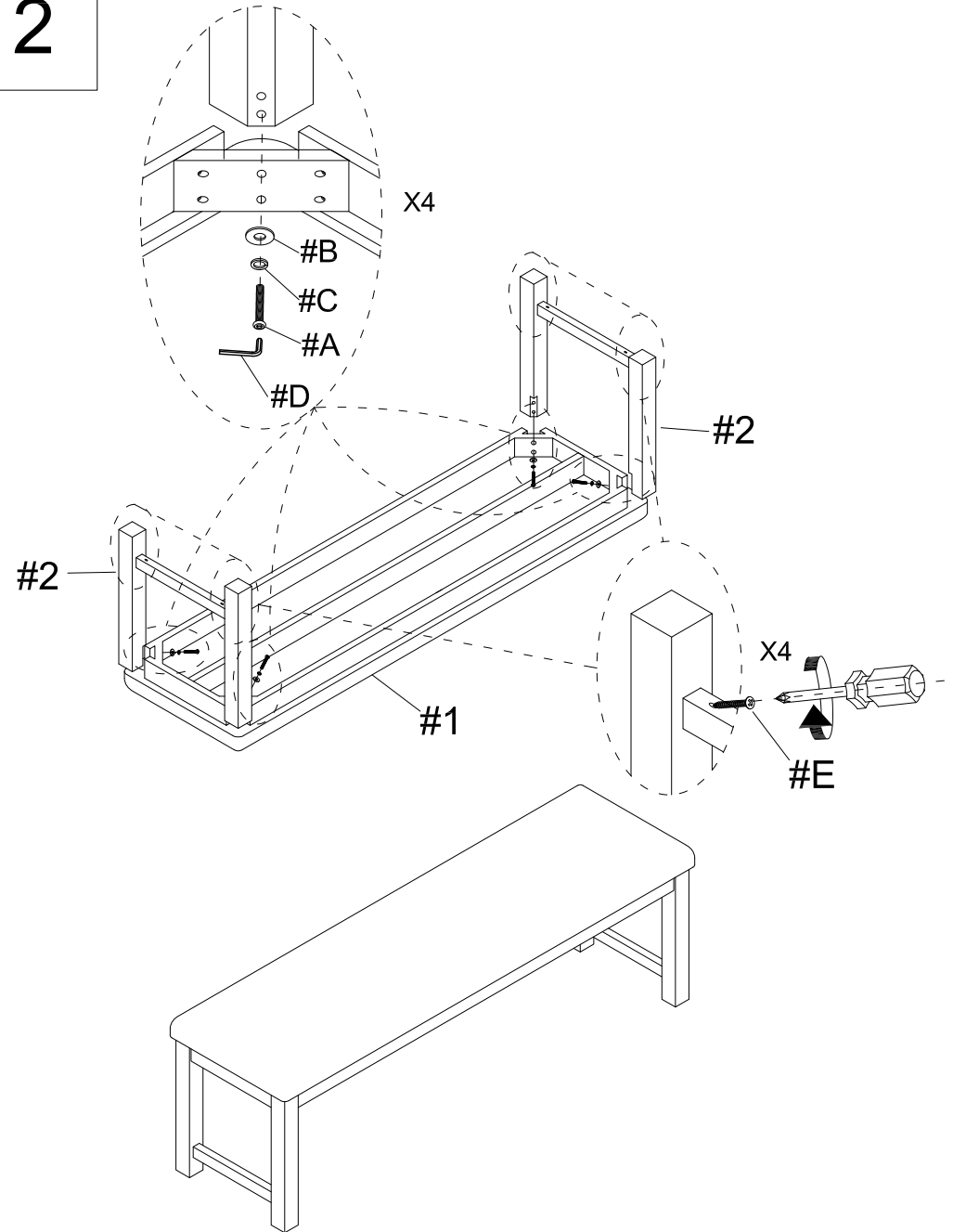
## PART LIST

#1		Seat	X1
#2		Leg(left&right)	X4
#3		Leg Stretcher	X2
<u>HARDWARE</u>			
#A		Blot $\text{\O}^{\frac{5}{16}}\text{"x54mm}$	X8
#B		Flat Washer $\text{\O}^{\frac{5}{16}}\text{"}$	X8
#C		Spring Washer $\text{\O}^{\frac{5}{16}}\text{"}$	X8
#D		Allen Key $\text{\O}5\text{mm}$	X1
#E		Wood Screw #8*45mm	X4

1



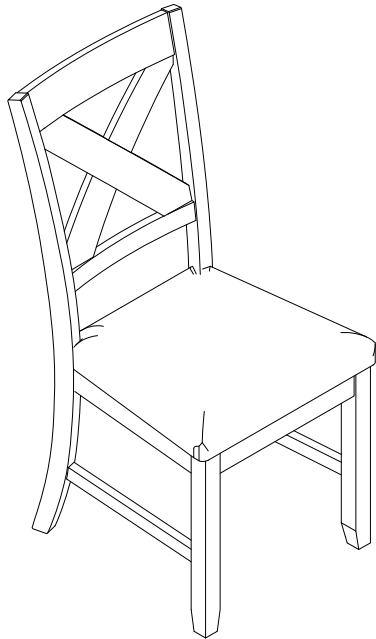
2





Scan QR code to  
view assembly video

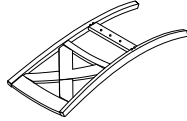
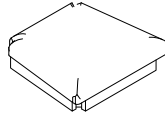
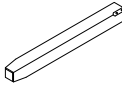
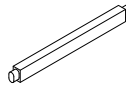
# POLLIE DINING SIDE CHAIR



**SP-2020-01-C1 / 267679**



## PART LIST

#1		Chair Back	X1
#2		Seat	X1
#3		Front Leg (left&right)	X2
#4		Leg Stretcher (left&right)	X2

### Important safety instructions:

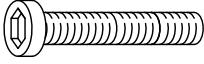
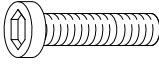
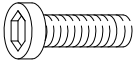
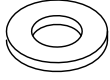

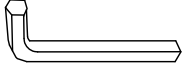

- \* Please read carefully all instructions before assembling.
- \* For your safety and ease, assembly by two or more adults is recommended.
- \* Do not tighten any bolts until all bolts have been started.

### Pre-assembly:

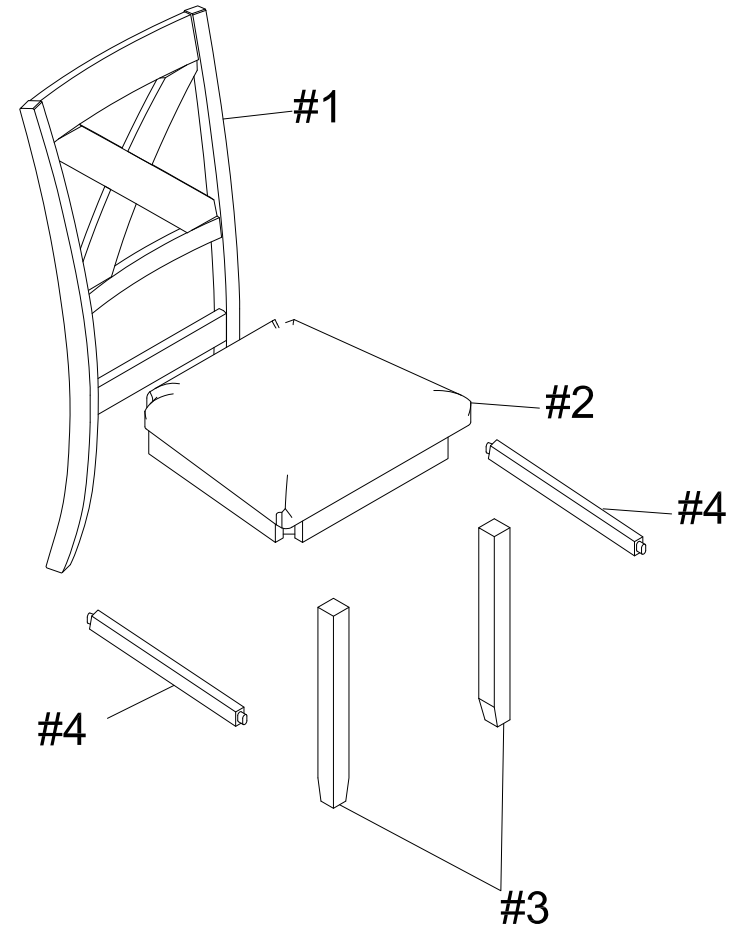
- \* Do not discard any content until assembly completed to avoid accidentally discarding small parts or hardware.
- \* Take out all parts and hardware from box.

**CAUTION : Failure to follow these instructions may cause the bolts to misalign during assembly**

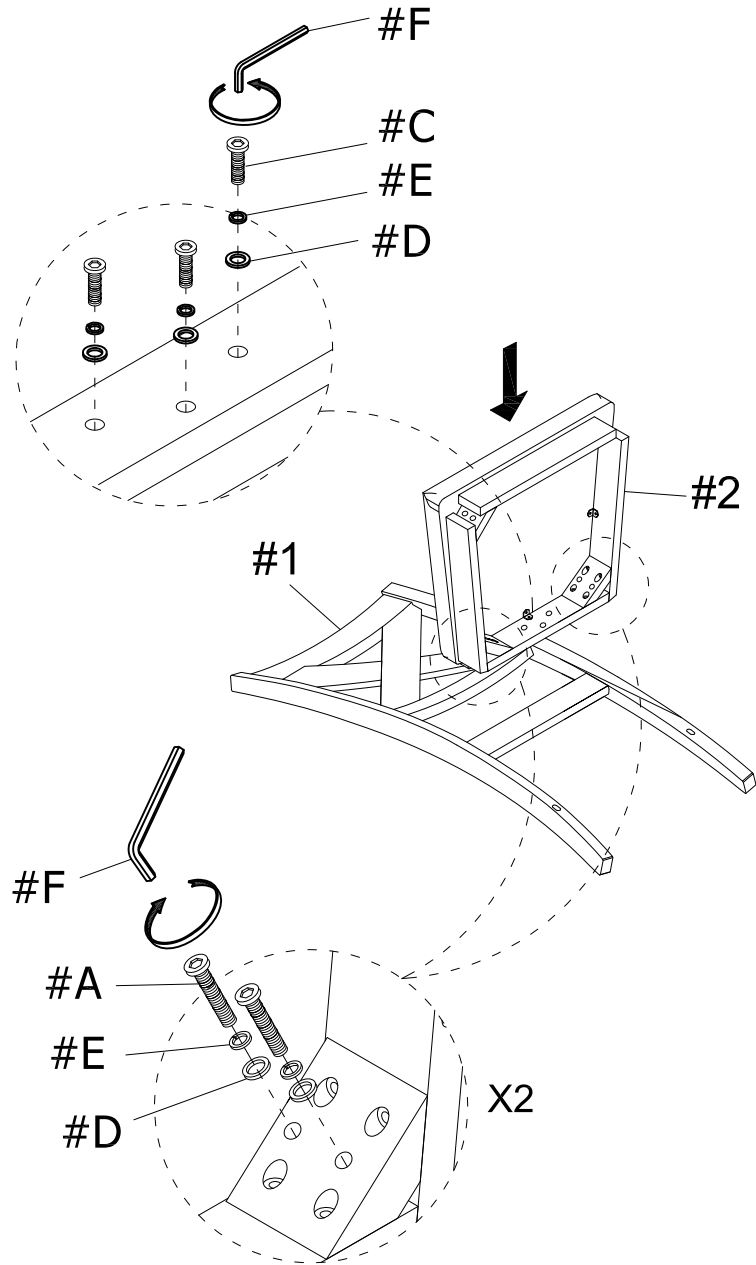
HARDWARE

#A		Blot Ø $\frac{5}{16}$ "x76mm X4
#B		Blot Ø $\frac{5}{16}$ "x60mm X4
#C		Blot Ø $\frac{5}{16}$ "x38mm X3
#D		Flat Washer Ø $\frac{5}{16}$ " X11
#E		Spring Washer Ø $\frac{5}{16}$ " X11
#F		Allen Key Ø5mm X1
#G		Wood Screw #8*45mm X4

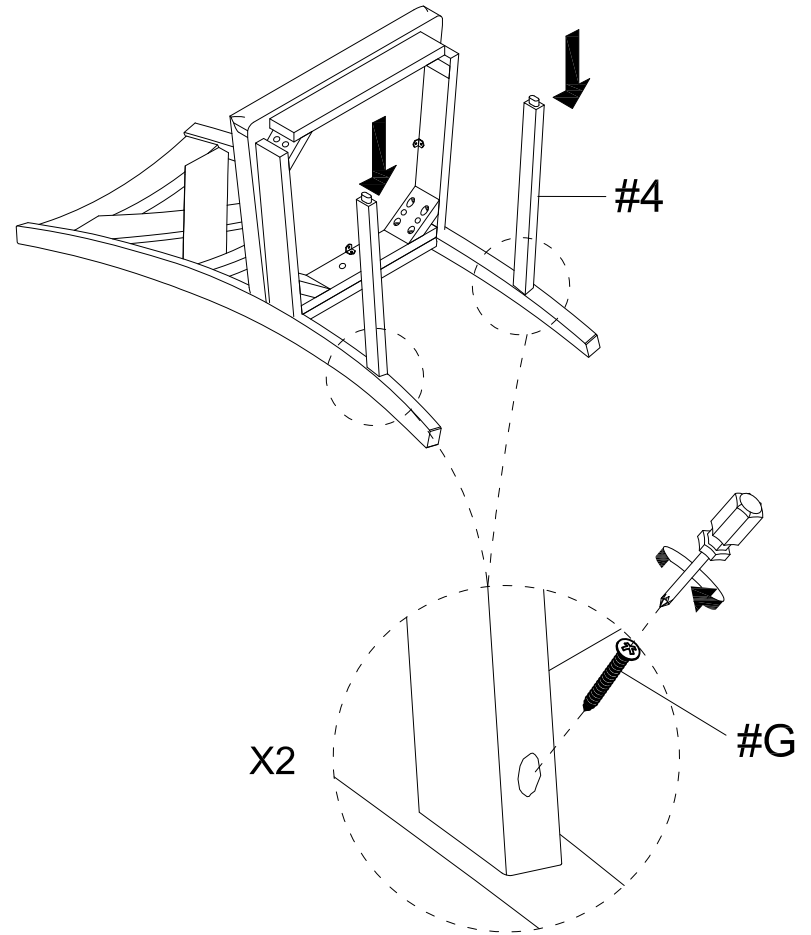
1



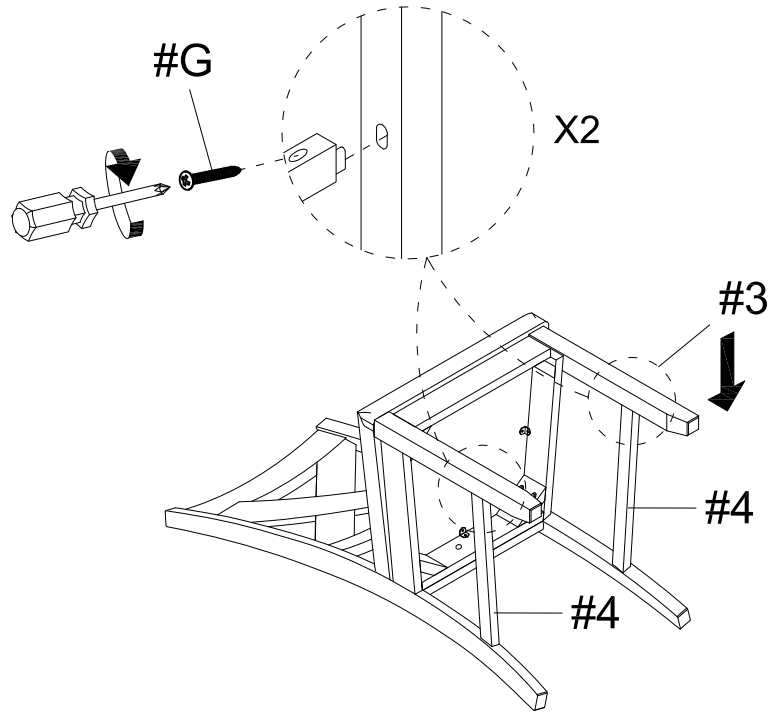
2



3

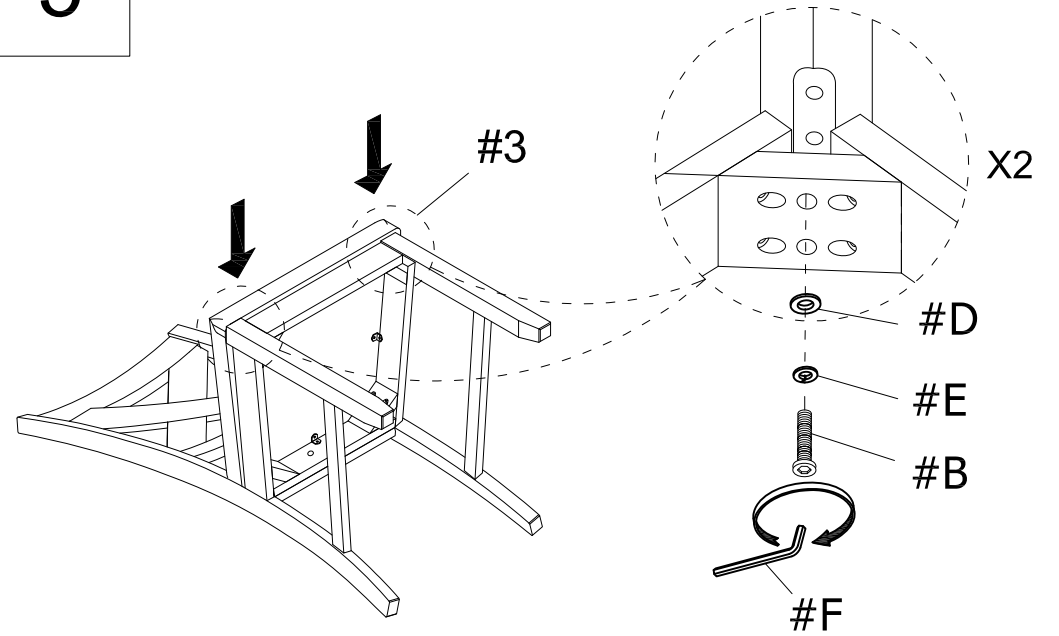


4

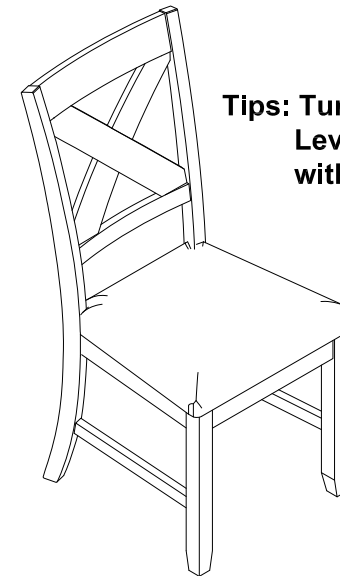


**IMPORTANT: PRESS DOWN** the Front legs (#3) when securing with side Stretchers (#4) using screws provided (#G) to avoid the gap between legs and stretchers.

5



6

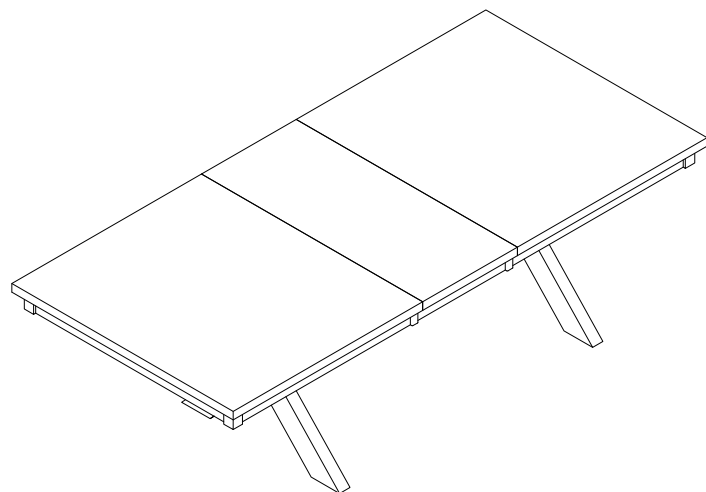


**Tips: Turn chair upright on a level surface. Level the chair and tighten all bolts with the Allen Wrench.**

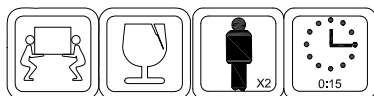


Scan QR code to  
view assembly video

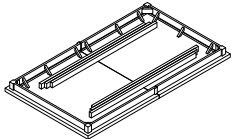
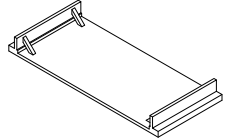
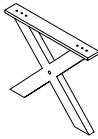
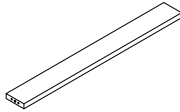

# POLLIE EXTENSION DINING TABLE




**SP-2020-01-D1 / 267682**



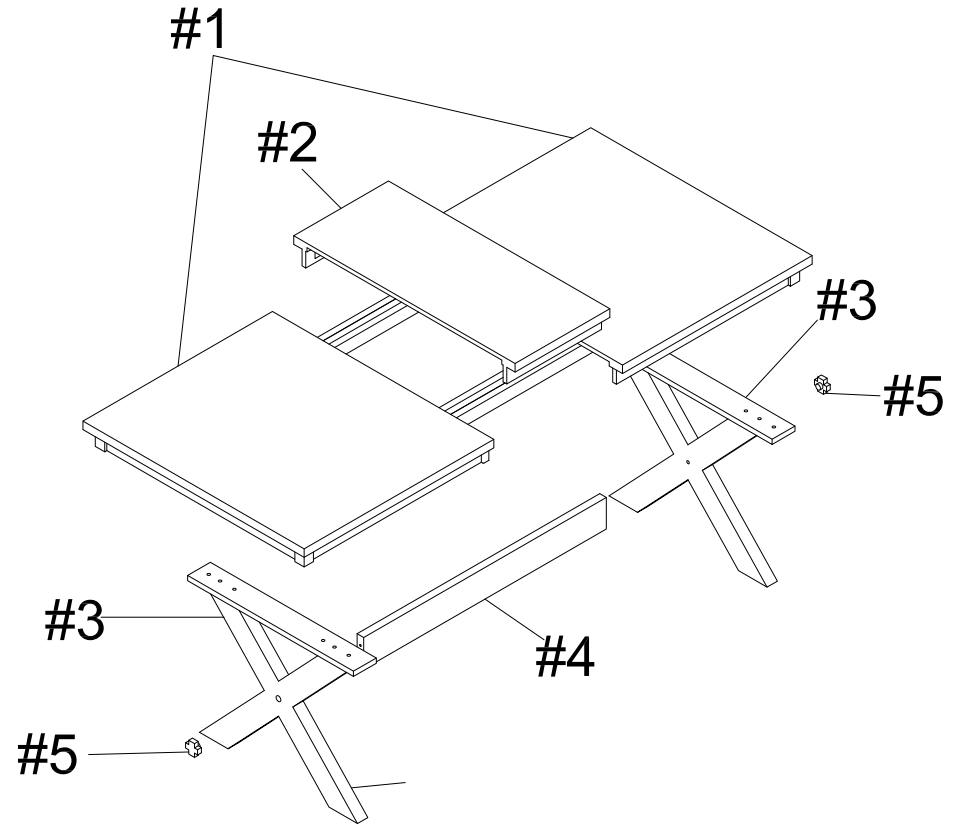
## PART LIST

#1		Table Top	X1
#2		Table Leaf	X1
#3		Leg	X2
#4		Center Support	X1
#5		Cap	X2

HARDWARE

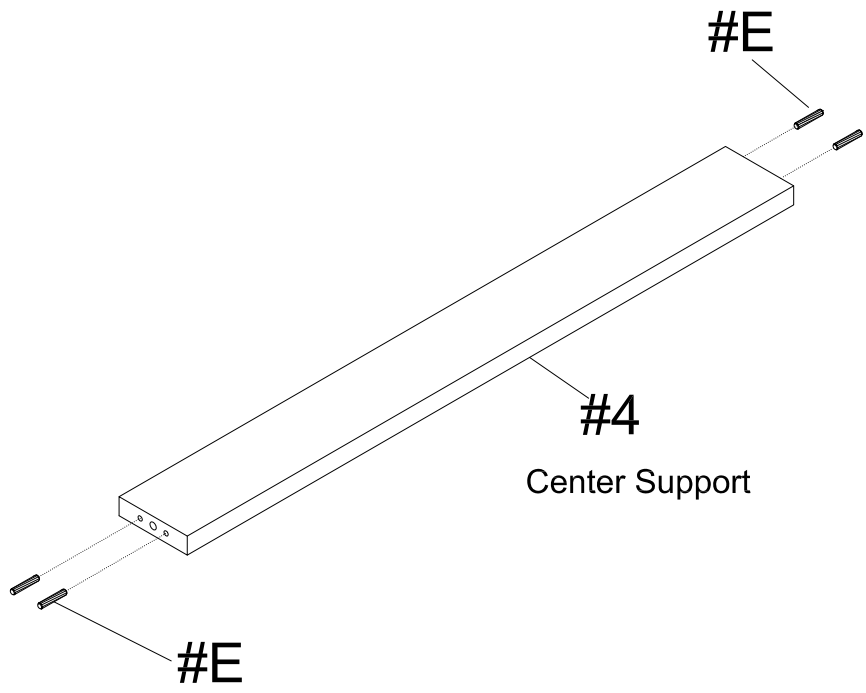
#A		Blot $\text{Ø}\frac{5}{16}$ "x50mm X2
#B		Blot $\text{Ø}\frac{5}{16}$ "x35mm X8
#C		Flat Washer $\text{Ø}\frac{5}{16}$ " X10
#D		Spring Washer $\text{Ø}\frac{5}{16}$ " X10
#E		Wooden Pegs $\text{Ø}8$ x30mm X4
#F		Allen Key $\text{Ø}5$ mm X1

1

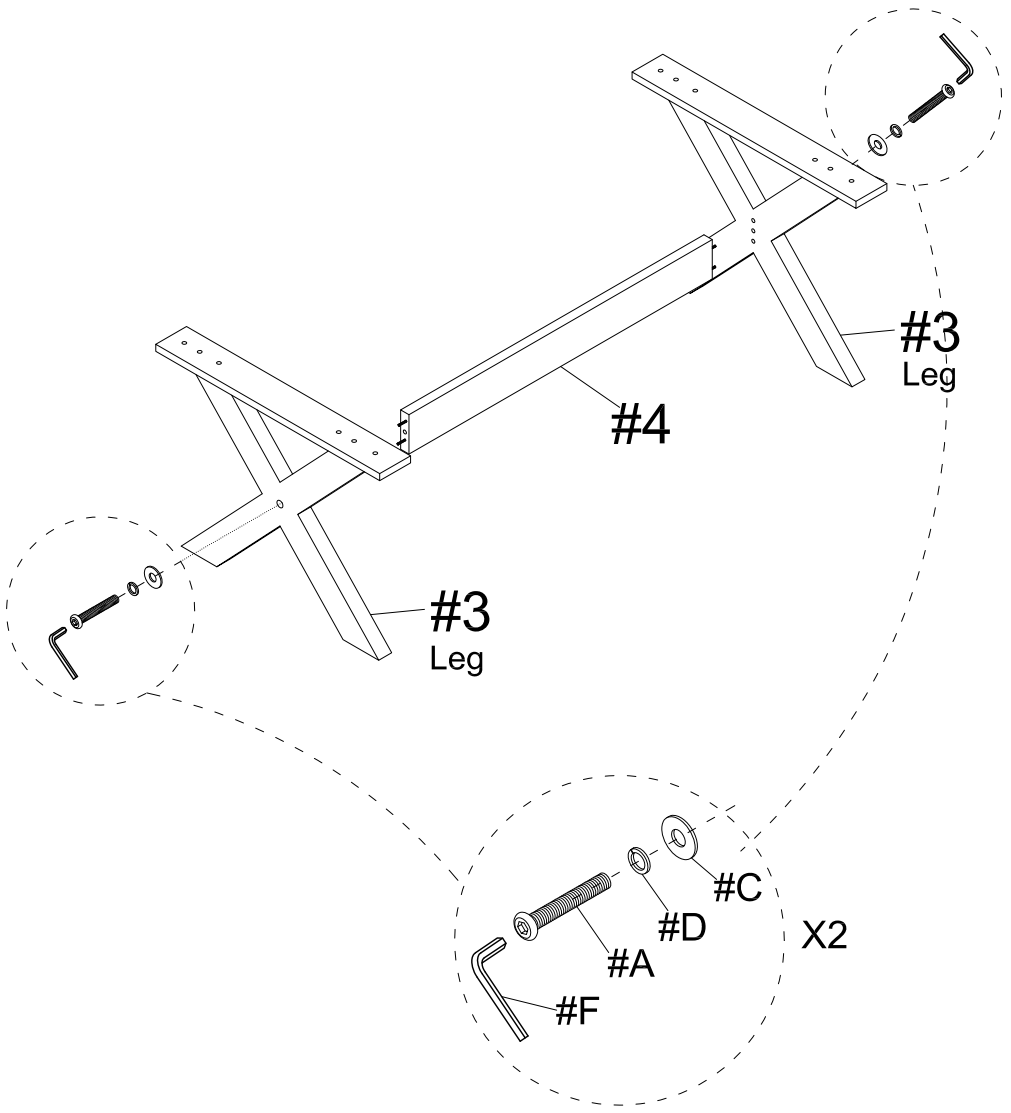




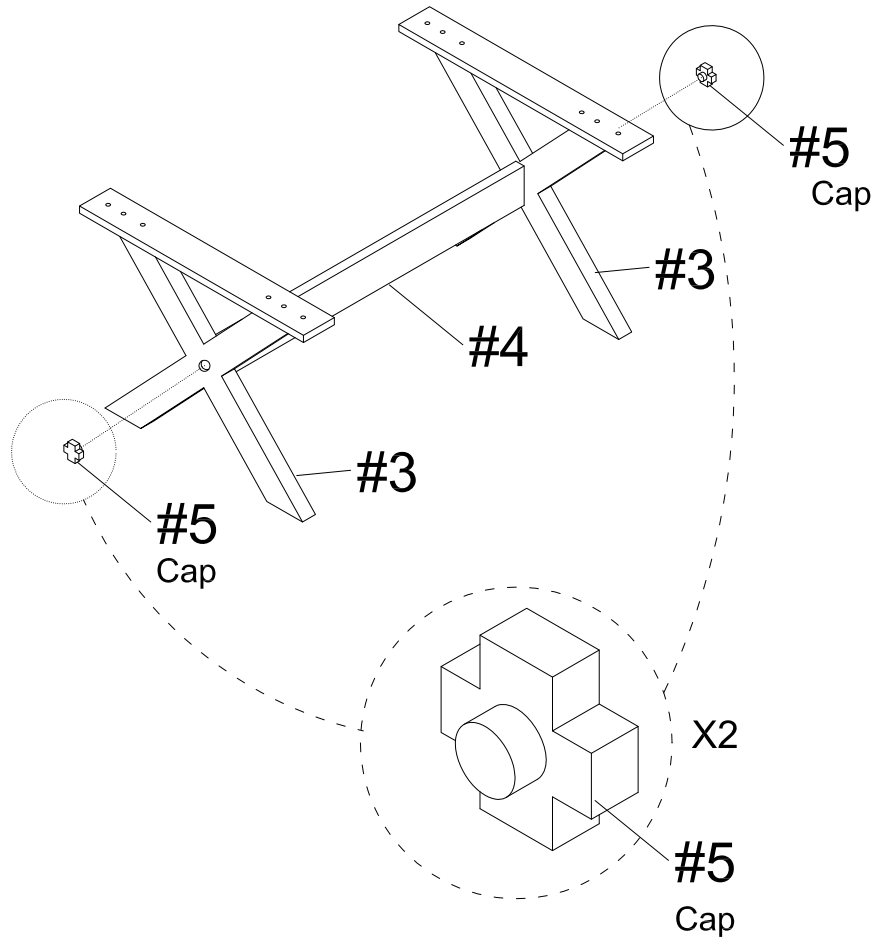
2



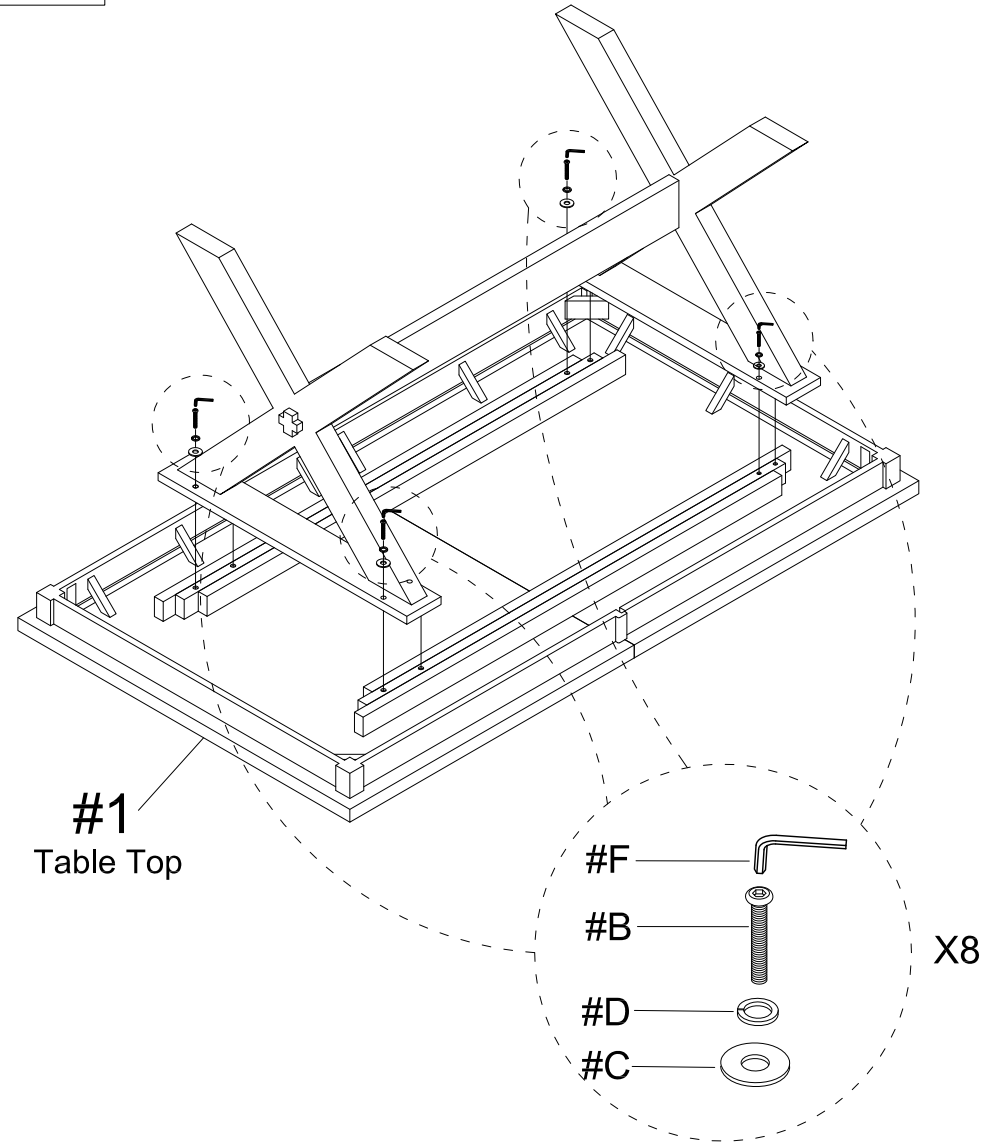
3



4

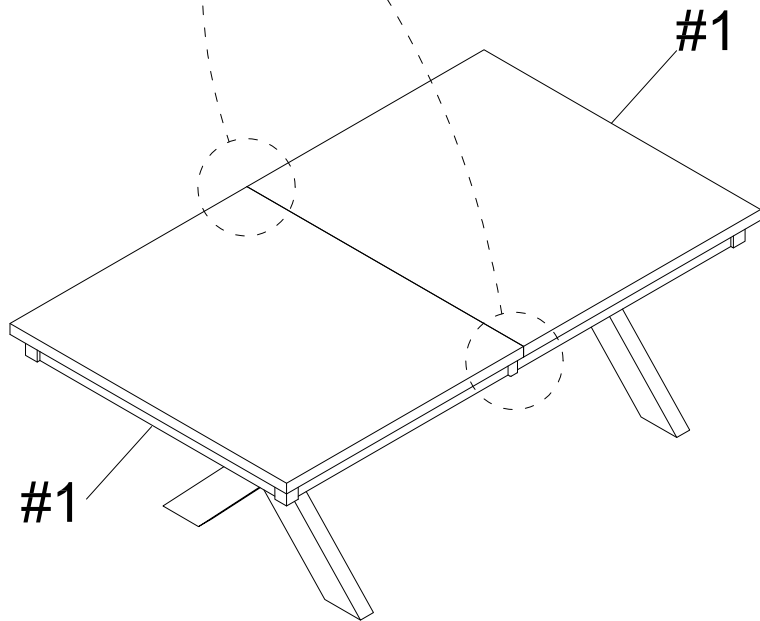
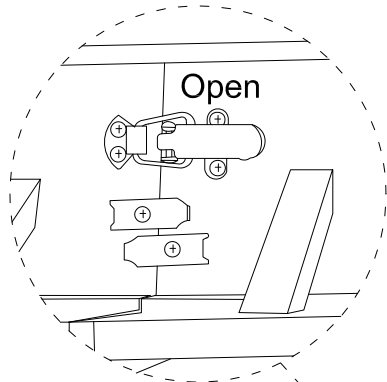


5



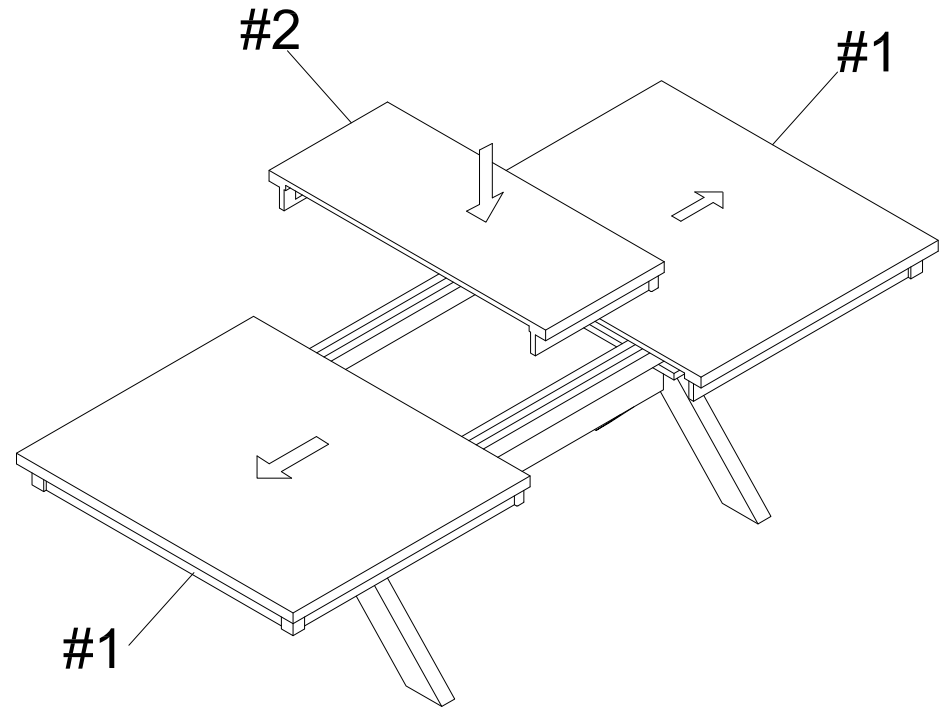
Notice: Place the table top on a carpeted or padded area to protect the surface from damage.

6



7

Table extension leaf



8

