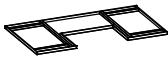







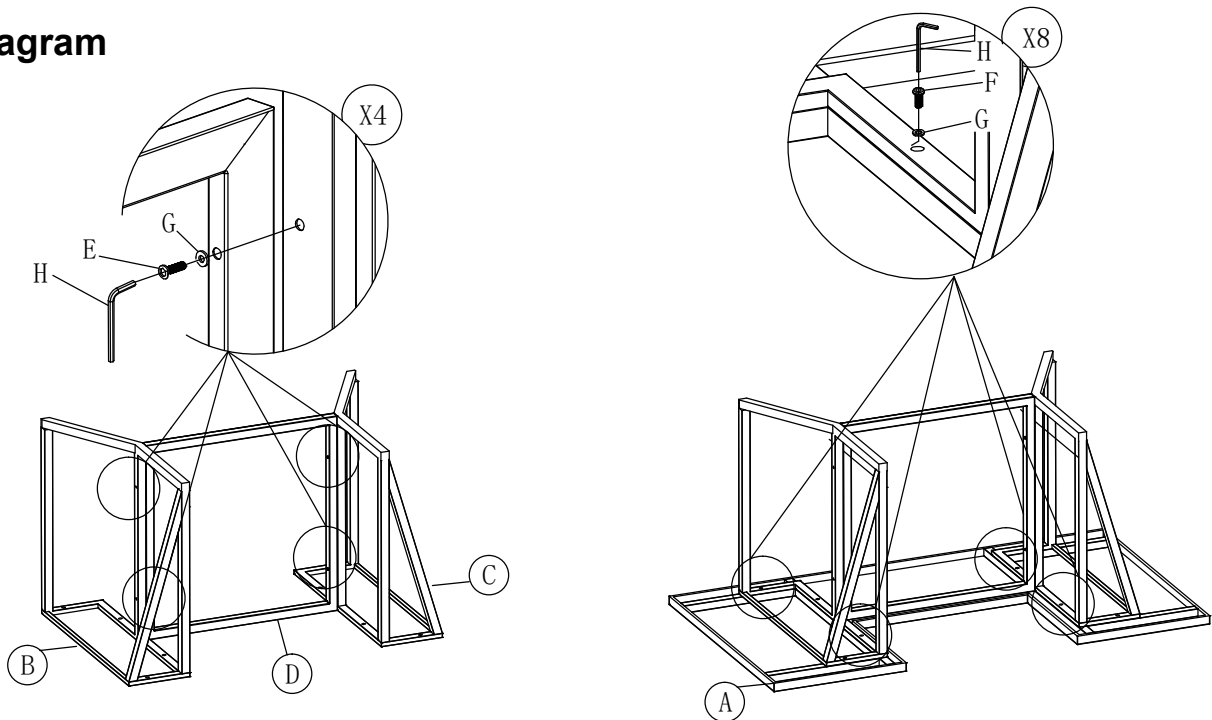


CAPRI OUTDOOR BAR TABLE 19BT205A-1 Assembly Instruction

Parts List:

REF.	PART NAME	PART IMAGE	Q'TY	REF.	PART NAME	PART IMAGE	Q'TY
A	TABLE TOP		1	E	BOLT(1/4*50MM)		4
B	LEFT BASE		1	F	BOLT(1/4*30MM)		8
C	RIGHT BASE		1	G	METAL WASHER (12)		12
D	FIXED FRAME		1	H	ALLEN WRENCH		1

Diagram



Assembly Steps:

- Step 1: Remove protective wrapping and lay all parts on the floor. Identify all parts packed in carton against attached parts list to make sure all parts are presented.
- Step 2: Place a protective soft material on the floor, then lay the LEFT BASE (B) and RIGHT BASE(C) upside down on the floor, the bottom is facing up.
- Step 3: Attach the FIXED FRAME (D) to LEFT BASE(B) and RIGHT BASE(C) as shown at the left Diagram, using BOLT(E) and WASHER(G).
- Step 4: Turn the TABLE TOP(A) upside down, attach the whole table base assembled at above steps to the table top as shown at the right Diagram using BOLT(F) and WASHER(G).
- Step 5: After all bolts are aligned properly, tighten all bolts using WRENCH(H). With a second person's assistance, carefully turn the table over onto its base. Make sure base rest on a flat surface.

NOTE: IT IS USER'S RESPONSIBILITY TO MAKE SURE ALL PARTS ARE ASSEMBLED AND TIGHTENED PROPERLY AND SECURELY.