




Important safety instructions:

- Please read carefully all instructions before assembly.
- For your safety and ease, assembly by two or more adults is recommended.
- Keep instructions for future use.




Pre-assembly:

- Do not discard any content until assembly is complete to avoid accidentally discarding small parts or hardware.
- Take out all parts and hardware from box.

Parts List



| Item | Description | QTY |
|------|--|-----|
| P1 | Top Panel  | 1 |
| P2 | Posts  | 4 |
| P3 | Bottom Frame  | 1 |

Hardware List

| Item | Description | QTY |
|------|---|-----|
| H1 | Short Bolts Ø1/4" x 5/8"L  | 16 |
| H2 | Long Bolts Ø1/4" x 1-3/4"L  | 4 |
| H3 | Allen Wrench 4mm  | 1 |

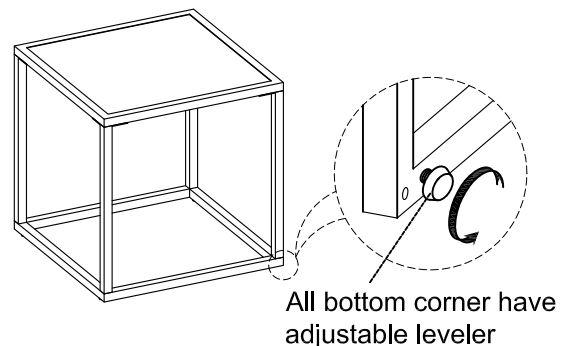
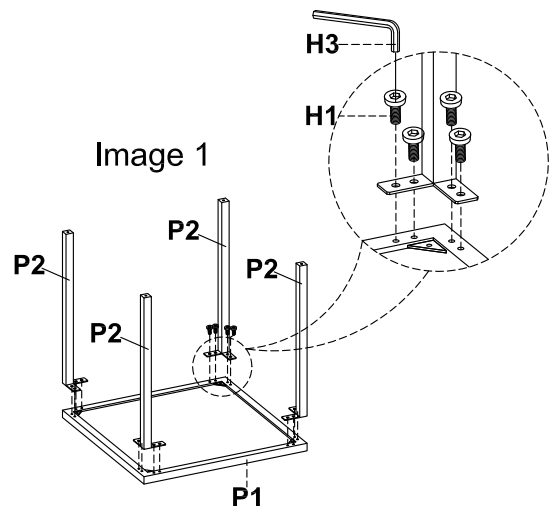
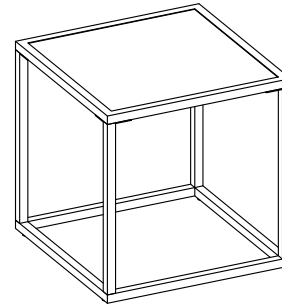
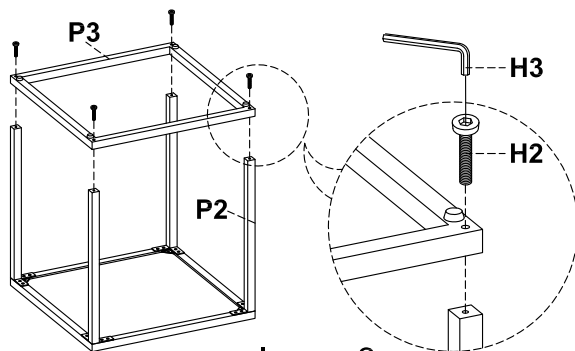
Assembly Procedures:

Step 1. Assemble the table on a flat, soft surface such as a carpet or cloth to prevent scratching the finish. Attach the posts (P2) to the bottom of top panel (P1) as shown on image 1.

- (H1)x16 Short Bolts Ø1/4"x5/8" 
 (H3)x1 Allen Wrench 1/4" 

Step 2. Attach the bottom frame (P3) to the assembled posts (P2) as shown on below image 2.

- (H2)x4 Long Bolts Ø1/4"x1-3/4" 
 (H3)x1 Allen Wrench 1/4" 



Step 3: Securely tighten all bolts with Allen wrench(H3), make sure the table is level and aligned properly. Turn the assembled table to an upright position. Assembly is complete. **Failure to follow these instructions may cause the bolts to misalign during assembly.**

ADDITIONAL NOTE ABOUT SAFETY: BOLTS MAY LOOSEN DURING NORMAL EVERYDAY USE. THEY SHOULD BE PERIODICALLY INSPECTED AND RE-TIGHTENED TO PREVENT DAMAGE OR INJURY. ALWAYS CHECK TO ENSURE THAT ALL HARDWARE IS KEPT TIGHTENED.

Thank you for your purchase