

ASSEMBLY INSTRUCTIONS

Description: Pearce Counter Stool


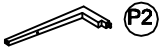

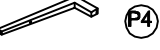
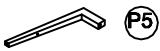

Important safety instructions:

- Please carefully read all instructions before assembling.
- For your safety and ease, assembly by two or more adults is recommended.
- Keep instructions for future use.







Pre-assembly:

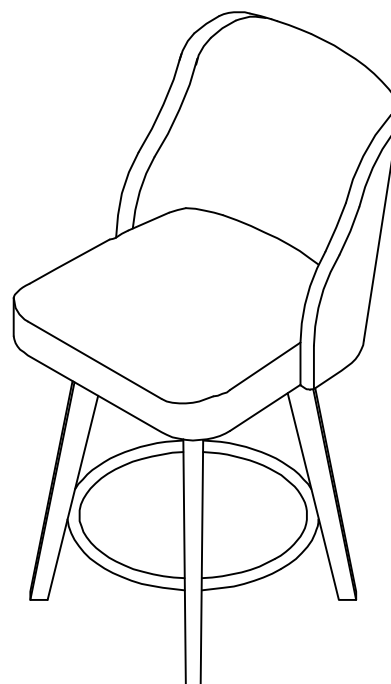
- Do not discard any contents until after assembly is complete to avoid accidentally discarding small parts or hardware.
- Remove all parts and hardware from box along with any plastic protective packaging.

Parts List

Item	Description	QTY
P1	Chair Top 	1
P2	Leg-1 	1
P3	Leg-2 	1
P4	Leg-3 	1
P5	Leg-4 	1
P6	Stretcher 	1

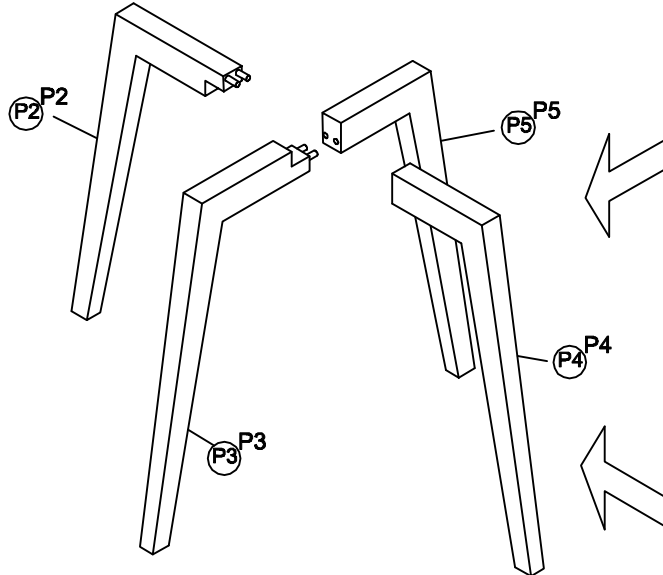
Hardware List

Item	Description	QTY
H1	Short Bolts Ø1/4"×1"L 	8
H2	Long Bolts Ø1/4"×1-1/4"L 	4
H3	Lock Washers 1/4" 	8
H4	Flat Washers 1/4" 	8
H5	Allen Wrench 1/4" 	1
H6	Swivel 	1







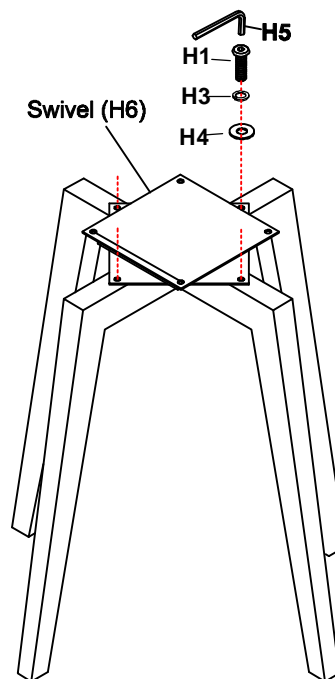
Assembly Procedures:

Step 1. Assemble the stool on a flat, soft surface such as a carpet or cloth to prevent scratching the finish. Insert legs (P2, P3) with dowel to the legs (P4, P5) according to the labels "P2", "P3", "P4", "P5" each leg (P2, P3, P4, P5) as shown below.



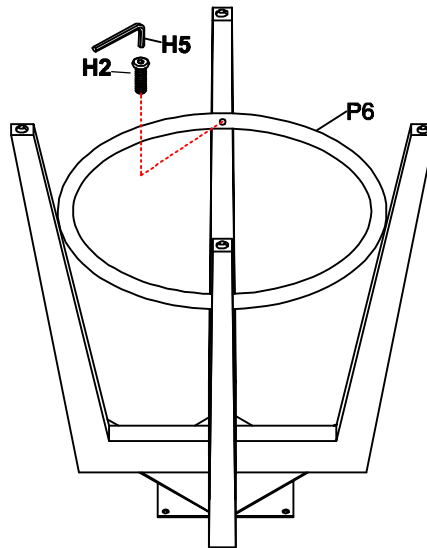
Step 2. Loosely attach the swivel (H6) to the top of assembled legs using short bolts (H1), lock washers (H3) and flat washers (H4) as shown below.

- (H1)x4 Short Bolts 
- (H3)x4 Lock Washers 
- (H4)x4 Flat Washers 
- (H5)x1 Allen Wrench 



Step 3. Loosely attach stretcher (P6) to each leg using long bolts (H2) as shown below.

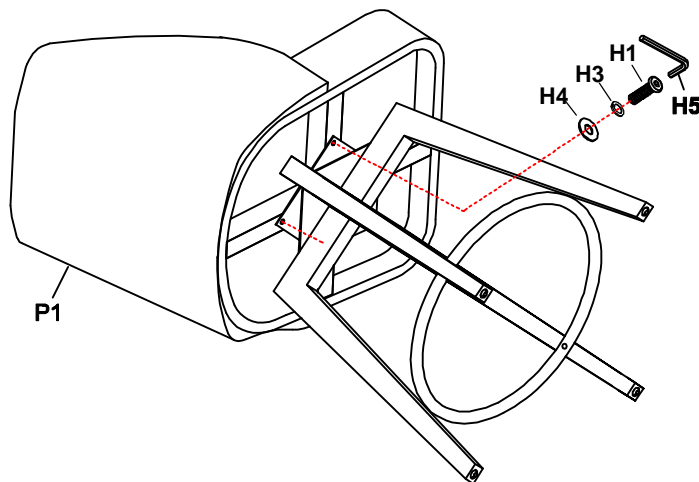
(H2)x4 Long Bolts 



Step 4.

- 1) **Loosely** attach the assembled base to chair top (P1) using short bolts (H1), lock washers (H3) and flat washers (H4) as shown below.
- 2) Make sure the stool is level and securely tighten all bolts with Allen wrench (H5).
- 3) Assembly is complete. **Failure to follow these instructions may cause the bolts to misalign during assembly.**

(H1)x4 Short Bolts 
(H3)x4 Lock Washers 
(H4)x4 Flat Washers 



ADDITIONAL NOTE ABOUT SAFETY: BOLTS MAY LOOSEN DURING NORMAL EVERYDAY USE. THEY SHOULD BE PERIODICALLY INSPECTED AND RE-TIGHTENED TO PREVENT DAMAGE OR INJURY. ALWAYS CHECK TO BE SURE THAT ALL HARDWARE IS KEPT TIGHTENED.

Thank you for your purchase