




#### Important safety instructions:

- Please carefully read all instructions before assembling.
- For your safety and ease, assembly by two or more adults is recommended.
- Keep instructions for future use.






#### Pre-assembly:

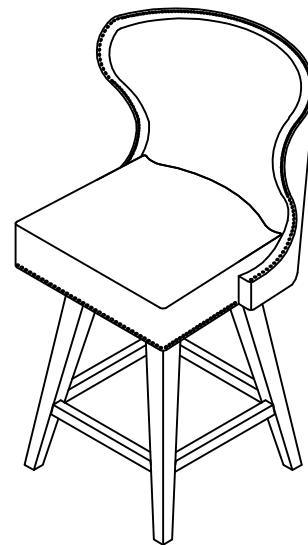
- Do not discard any contents until after assembly is complete to avoid accidentally discarding small parts or hardware.
- Remove all parts and hardware from box along with any plastic protective packaging.

#### Parts List

Item	Description	QTY
P1	Chair Top 	1
P2	Legs 	4
P3	Stretchers 	4

#### Hardware List

Item	Description	QTY
H1	Bolts Ø5/16"x2"L 	8
H2	Lock Washers 5/16" 	8
H3	Flat Washers 5/16" 	8
H4	Allen Wrench 5/16" 	1
H5	Screws #8*1-1/2" 	8

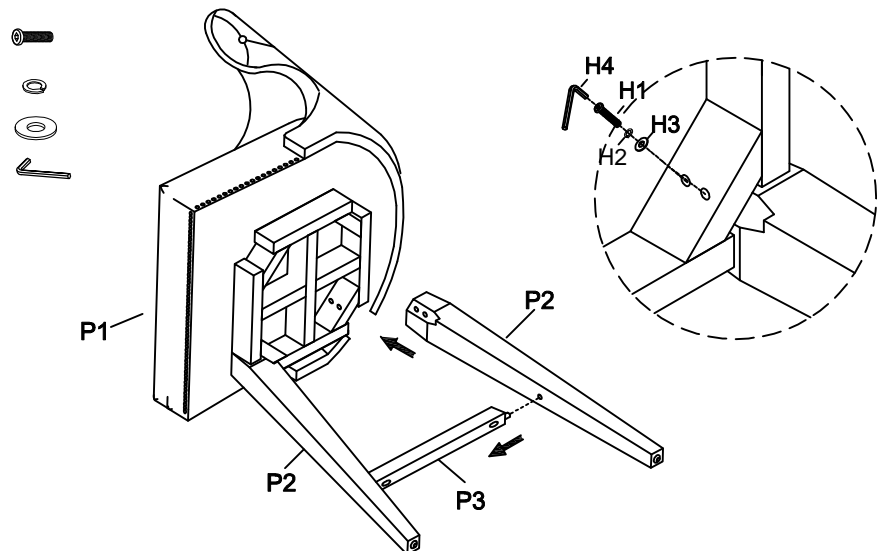


#### Assembly Procedures:




Step 1. Assemble the stool on a flat, soft surface such as a carpet or cloth to prevent scratching the finish.

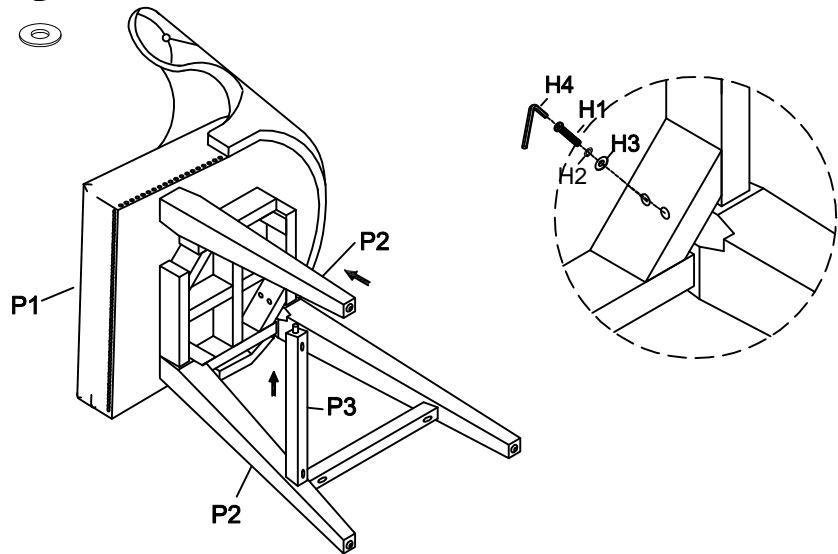
- 1) Attach one leg (P2) to the bottom of chair top (P1) using bolts (H1), lock washers (H2) and flat washers (H3).
- 2) Insert one stretcher (P3) between the two legs (P2), then attach leg (P2) to the bottom of chair top (P1) using bolts (H1), lock washers (H2) and flat washers (H3) as shown below.

- (H1)x4 Bolts Ø5/16"x2"L
- (H2)x4 Lock Washers 5/16"
- (H3)x4 Flat Washers 5/16"
- (H4)x1 Allen Wrench 5/16"



Step 2. Loosely Insert second stretcher (P3) between the two legs (P2), then attach third leg (P2) to the bottom of chair top (P1) using bolt (H1), lock washer (H2) and flat washer (H3) as shown below.

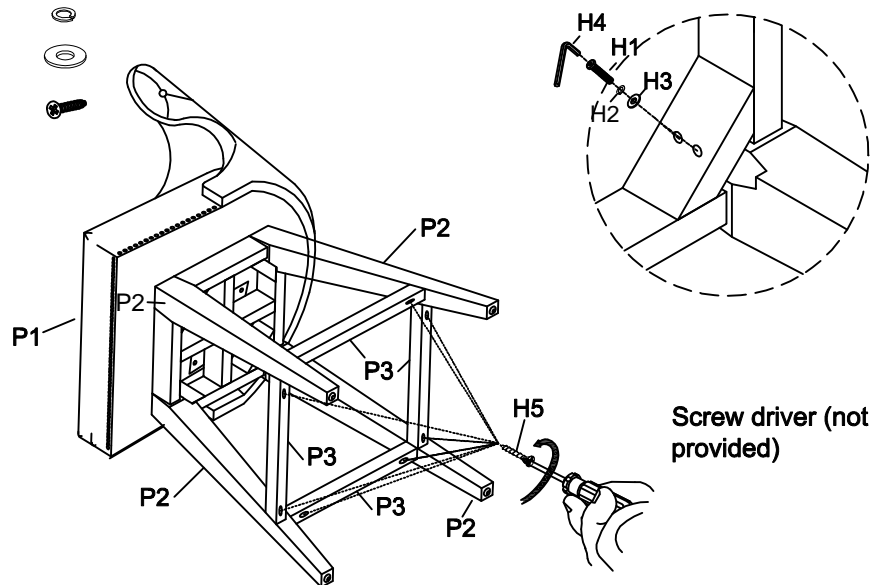
- (H1)x2 Bolts Ø5/16"x2"L 
- (H2)x2 Lock Washers 5/16" 
- (H3)x2 Flat Washers 5/16" 



**Step 3.**

- 1) Insert two stretchers (P3) to the legs (P2), then attach last leg (P2) to bottom of chair top (P1) using bolt (H1), lock washer (H2) and flat washer (H3) as shown below.
- 2) Securely tighten all bolts with Allen wrench (H4).
- 3) Tighten screws (H5) through the stretchers (P3) to the legs (P2) with screw driver (not provided).
- 4) Make sure the stool is level and securely tighten all bolts by Allen wrench (H4). Turn the assembled stool to an upright position
- 5) Assembly is complete. **Failure to follow these instructions may cause the bolts to misalign during assembly.**

- (H1)x2 Bolts Ø5/16"x2"L 
- (H2)x2 Lock Washers 5/16" 
- (H3)x2 Flat Washers 5/16" 
- (H5)x8 Screws #8\*1-1/2" 



Screw driver (not provided)

ADDITIONAL NOTE ABOUT SAFETY: BOLTS MAY LOOSEN DURING NORMAL EVERYDAY USE. THEY SHOULD BE PERIODICALLY INSPECTED AND RE-TIGHTENED TO PREVENT DAMAGE OR INJURY. ALWAYS CHECK TO BE SURE THAT ALL HARDWARE IS KEPT TIGHTENED.

Thank you for your purchase