

LANCASTER BARSTOOL WITH BACK

Assembly instructions:

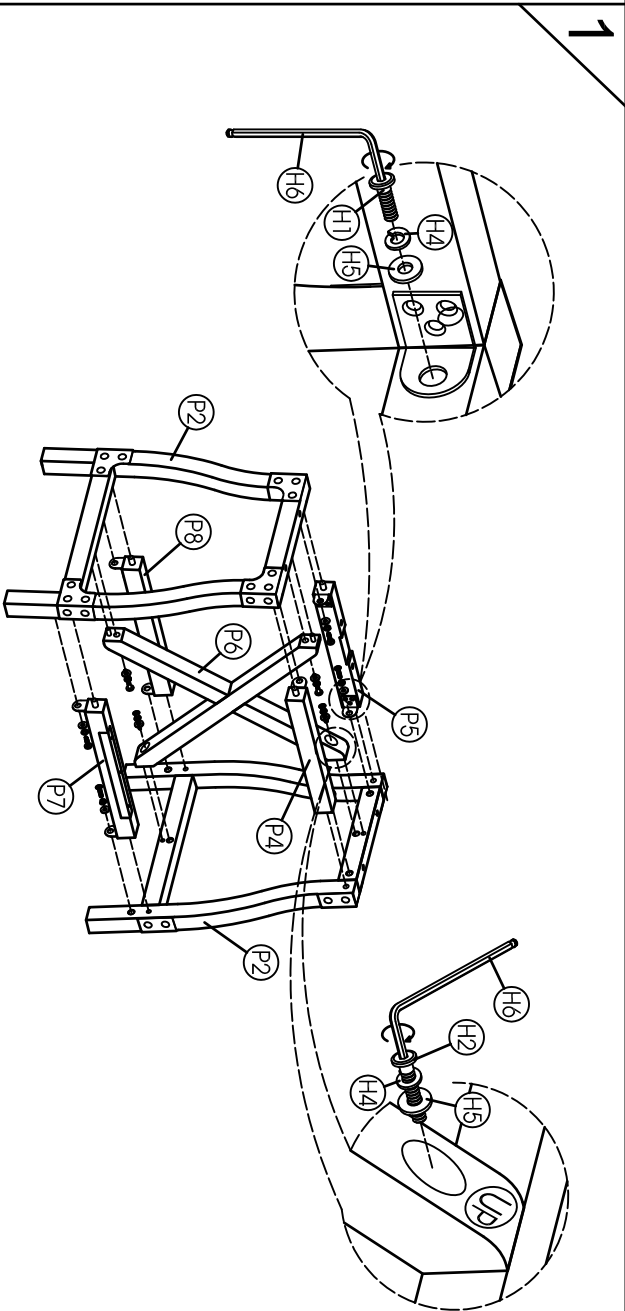
PARTS LIST

No.	DESCRIPTION	IMAGE	Q'TY
P1	WOOD SEAT		1
P2	LEG FRAME		2
P3	BACKREST		1
P4	SEAT FRONT RAIL		1
P5	SEAT BACK RAIL		1
P6	STRETCHER FRAME		1
P7	FRONT STRETCHER		1
P8	BACK STRETCHER		1
P9	METAL SUPPORT BAR		1

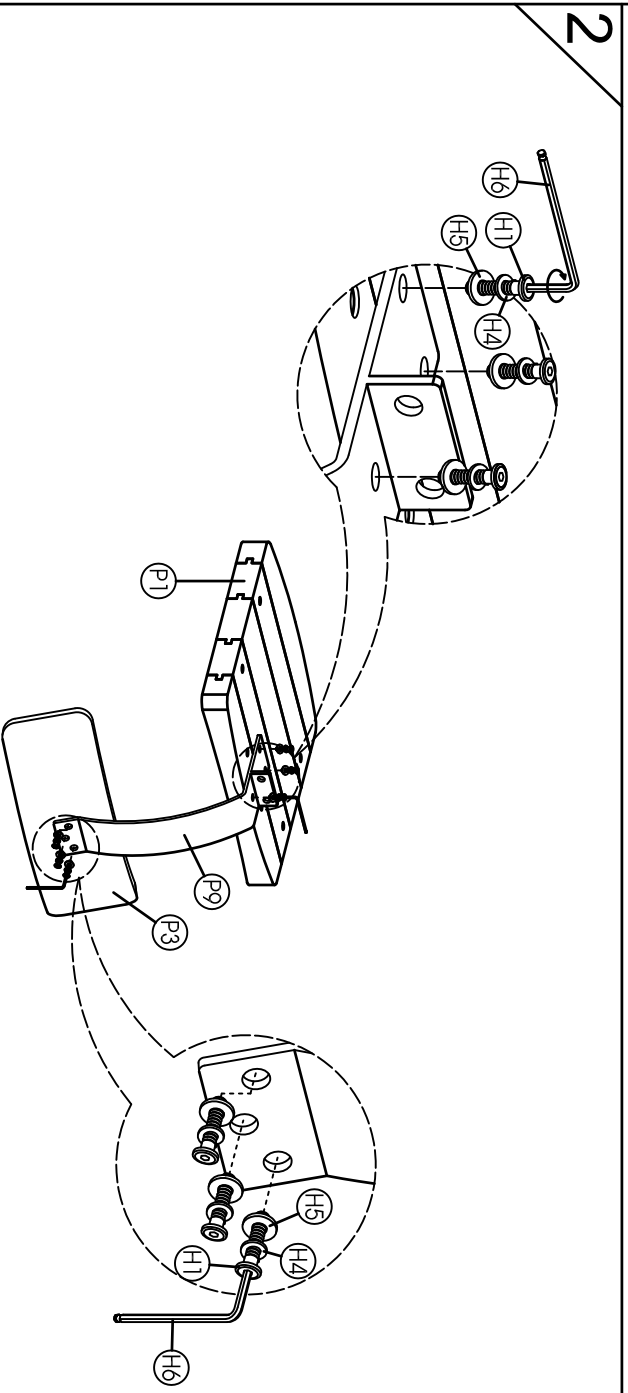
HARDWARE LIST

No.	DESCRIPTION	IMAGE	Q'TY
H1	SHORT BOLT (8 x 20 MM)		16
H2	MEDIUM BOLT (8 x 35 MM)		4
H3	LONG BOLT (8 x 50 MM)		6
H4	SPRING WASHER		26
H5	FLAT WASHER		26
H6	ALLEN KEY		1

NOTE : Po# is located underneath/ inside of each item. Please be prepared to provide this # should any claim be necessary.



DON'T TIGHTEN BOLTS UNTIL FINAL STEP

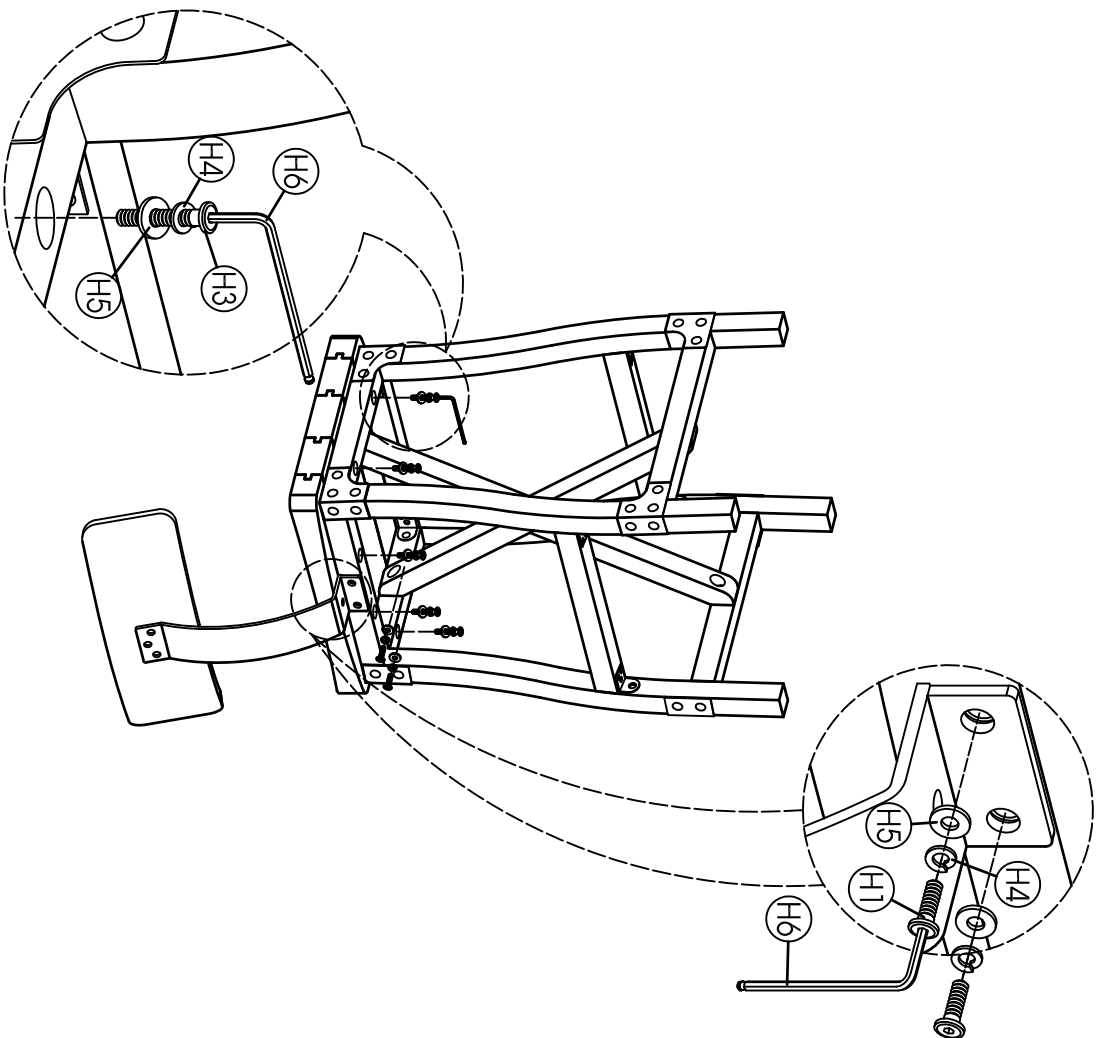


DON'T TIGHTEN BOLTS UNTIL FINAL STEP

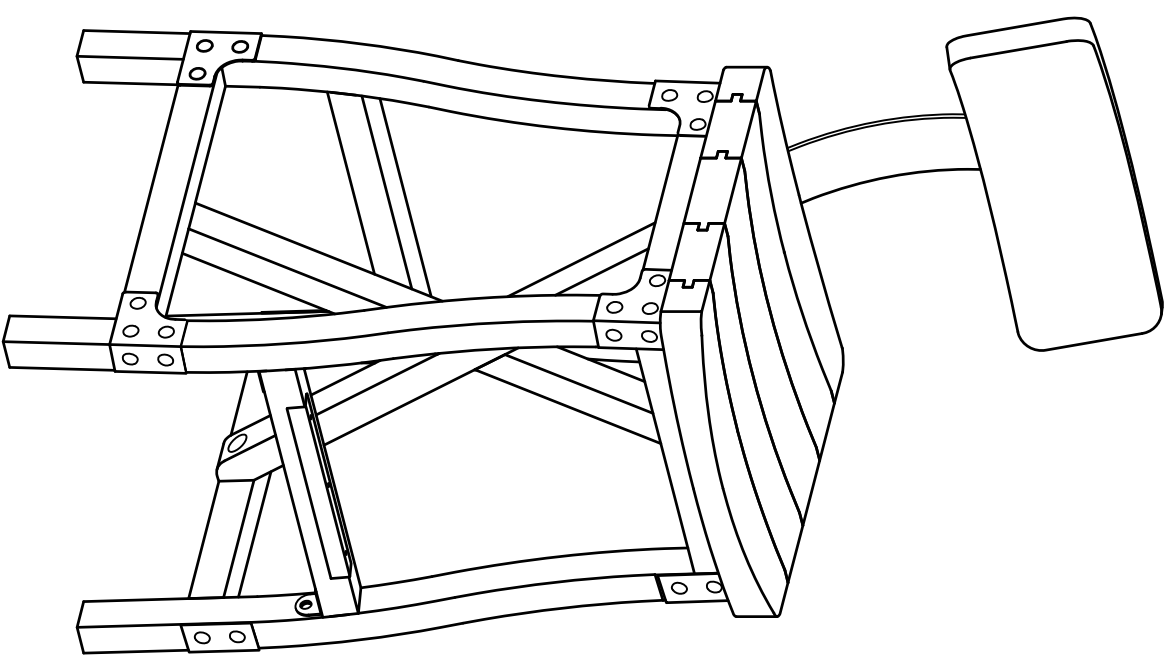
LANCASTER BARSTOOL WITH BACK

Assembly instructions:

3



4



ASSEMBLY COMPLETED