

ASSEMBLY INSTRUCTIONS

Description: Side Chair








Important safety instructions:

- Please carefully read all instructions before assembling the chair.
- For your safety and ease, assembly by two or more adults is recommended.
- Keep instructions for future use.








Pre-assembly:

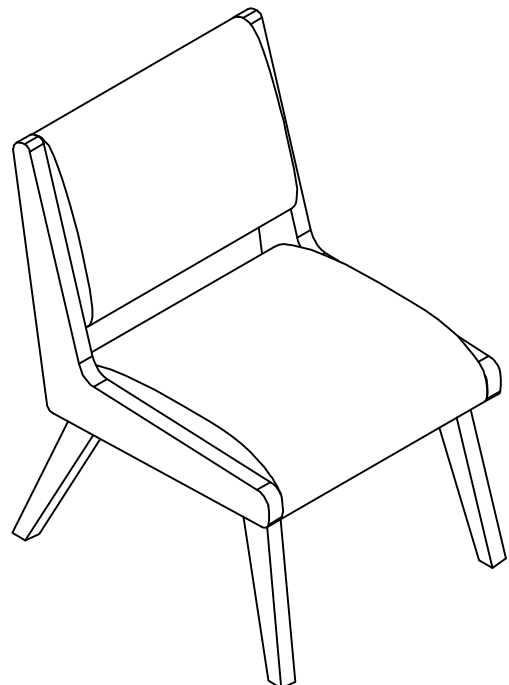
- Do not discard any contents until after assembly is complete to avoid accidentally discarding small parts or hardware.
- Remove all parts and hardware from box along with any plastic protective packaging.

Parts List

Item	Description	QTY
A	Chair Top 	1
B	Left Legs 	1
C	Right Legs 	1
D	Front Top Rail  	1
E	Back Top Rail  	1

Hardware List

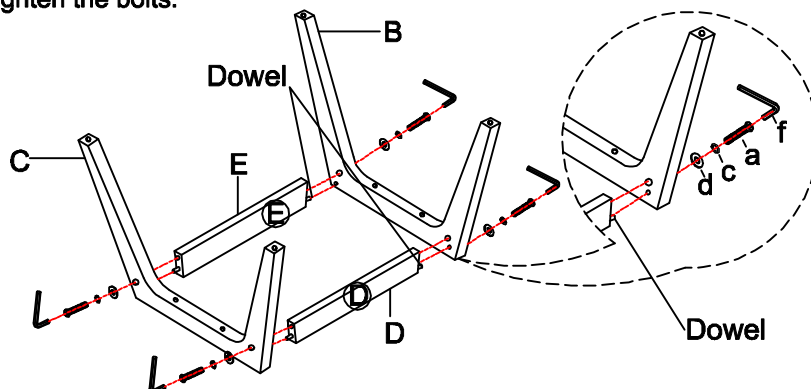
Item	Description	QTY
a	Bolts $\varnothing 1/4 \times 1-1/4$ 	4
b	Bolts $\varnothing 1/4 \times 2$ 	4
c	Lock Washers 1/4" 	8
d	Flat Washers 1/4"(12mm) 	4
e	Flat Washers 1/4"(19mm) 	4
f	Allen Wrench 1/4" 	1
g	Wooden Plugs 	4



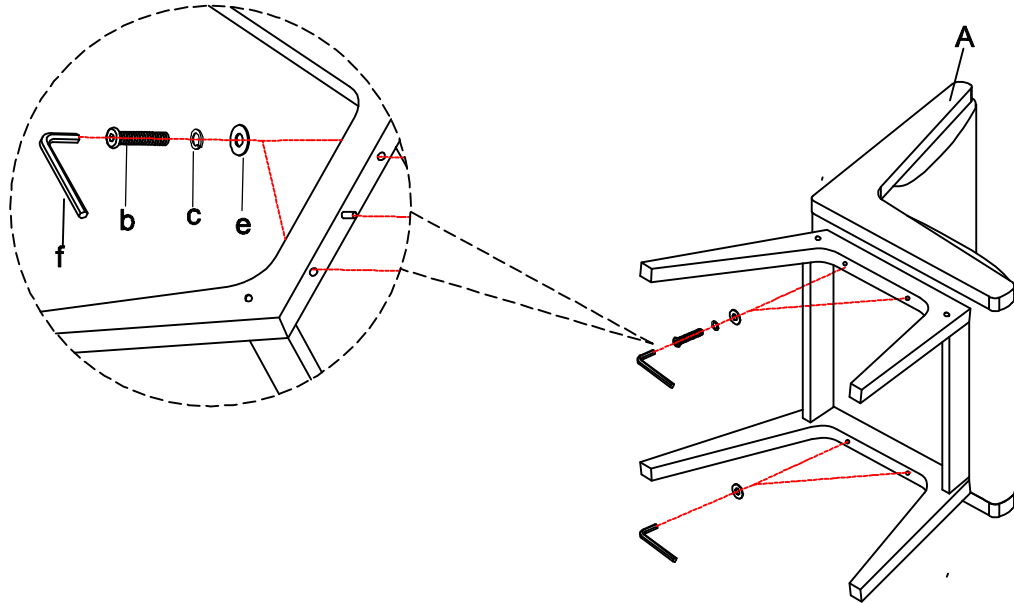
Assembly Procedures:

Step 1. Assemble the chair on a flat, soft surface such as a carpet or cloth to prevent scratching the finish. Attach top rails (E) & (D) to the left leg (B) and the right leg (C) according the labels (E & D) on each rail and the holes of legs (B & C), and using bolts (a), lock washers (c) and flat washers (d) . Securely tighten the bolts by Allen wrench (f) , but do not over tighten the bolts.

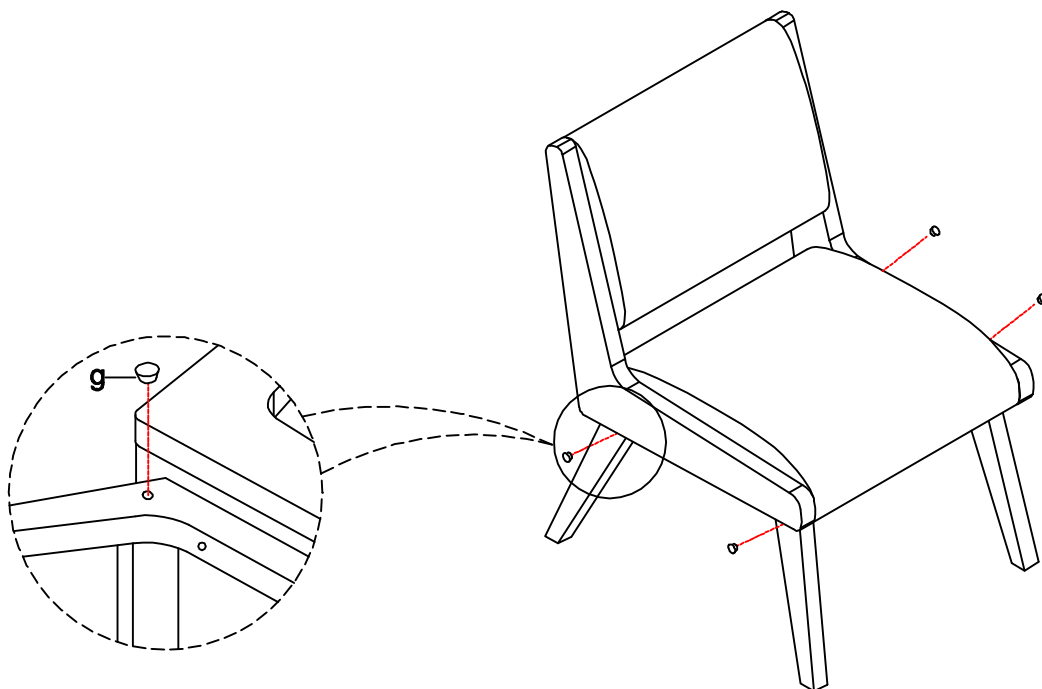
Step 1



Step 2. Attach the assembled base to the bottom of the chair top (A) to using bolts (b), lock washers (c) and flat washers (d). Securely tighten all bolts by Allen wrench (f), but do not over tighten the bolts.



Step 3. Insert wood plugs (g) over exposed screw holes, cover with cloth and strike softly with hammer until plug is flush with wood surface. Assembly is complete.



Thank you for your purchase