

# ASSEMBLY INSTRUCTIONS

## Description: Counter Stool






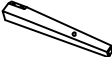
### Important safety instructions:

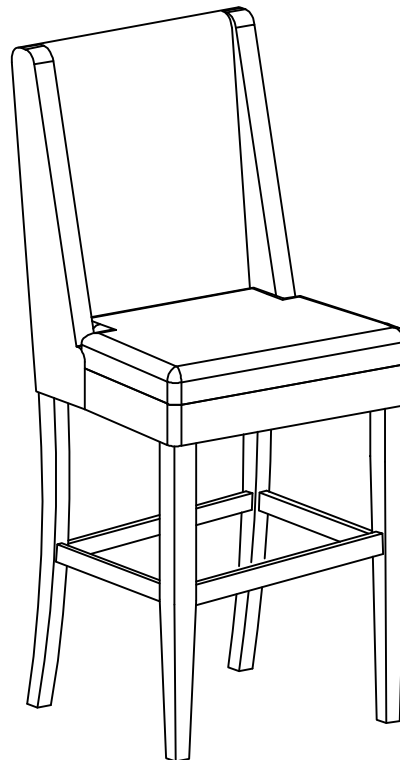
- Please carefully read all instructions before assembling the stool.
- For your safety and ease, assembly by two or more adults is recommended.
- Keep instructions for future use.

### Pre-assembly:







- Do not discard any contents until after assembly is complete to avoid accidentally discarding small parts or hardware.
- Remove all parts and hardware from box along with any plastic protective packaging.

### Parts List

Item	Description	QTY
A	Chair Back 	1
B	Seat Cushion 	1
C	Left Stretcher 	1
D	Right Stretcher 	1
E	Front Stretcher 	1
F	Front Legs 	2

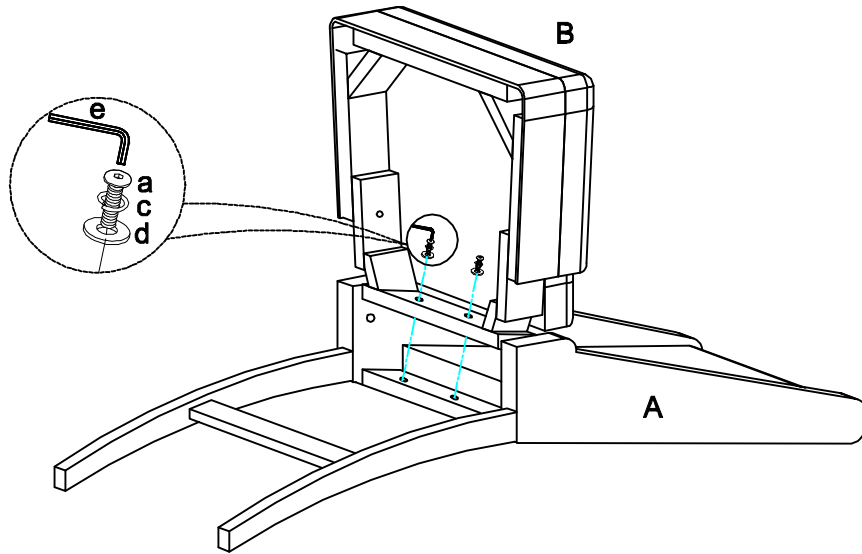


### Hardware List

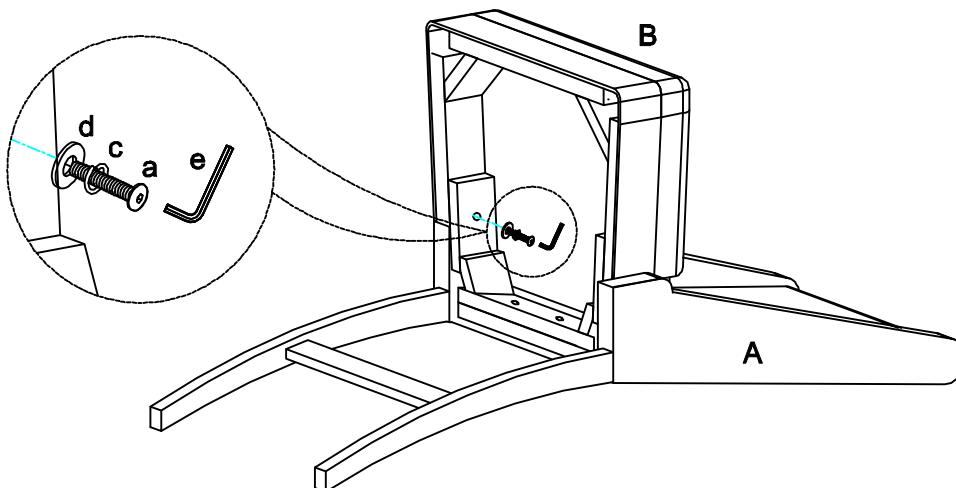
Item	Description	QTY
a	Long Bolts Ø5/16**2-1/4" 	4
b	Medium Bolts Ø5/16**2" 	4
c	Lock Washers 5/16" 	8
d	Flat Washers 5/16" 	8
e	Allen Wrench 5/16" 	1
f	Screw #8*1-1/2" 	6

**Assembly Procedures:**

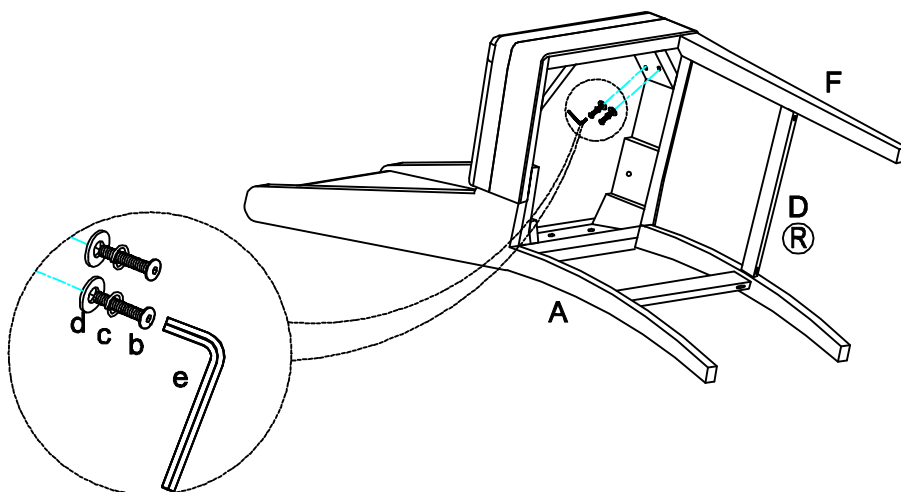
**Step 1, Assemble the counter stool on a flat, soft surface such as a carpet or cloth to prevent scratching the finish. Attach the seat cushion (B) to chair back (A) using bolts (a), lock washers (c) and flat washers (d). Loosely tighten the bolts with Allen wrench (e).**



**Step 2. Attach the seat cushion (B) to the leg of chair back (A) using bolts (a), lock washers (c) and flat washers (d). Loosely tighten the bolts with Allen wrench (e).**

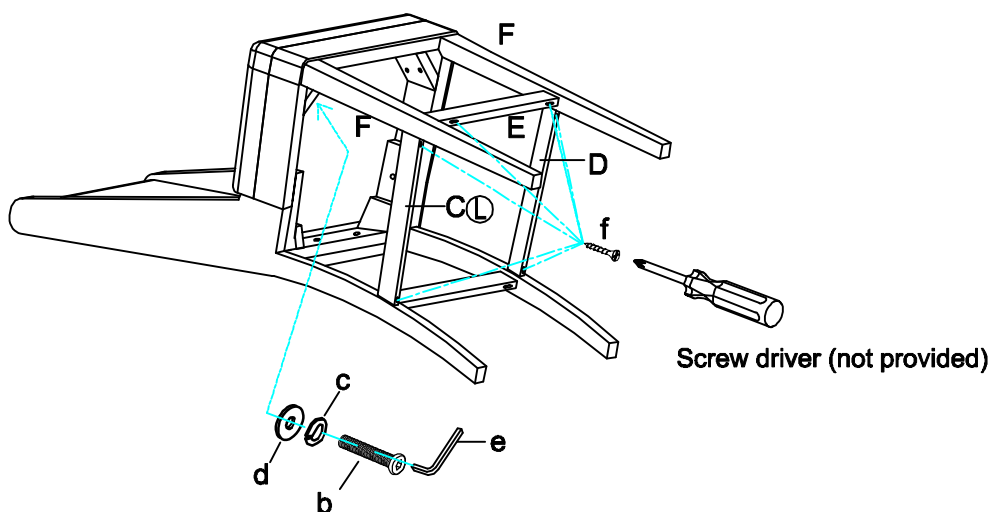


**Step 3.** Insert the right stretcher (D) to the leg of chair back (A) according to the label "R" at the hole in the leg and the front end of right stretchers (D). Loosely attach the front leg (F) to the bottom of seat cushion (B) and the stretcher (D) using bolt (b), lock washer (c), flat washer (d) and Allen wrench (e). Do not tighten the screws at this time.



**Step 4.**

- 1) Insert the left stretcher (C) to the leg of chair back (A) according to the label "L" at the holes in the legs of chair back and the front end of left stretcher (C). Loosely attach the front leg (F) to the seat (B) using bolt (b), lock washer (c), flat washer (d) and Allen wrench (e). Do not tighten the screws at this time.
- 2) Insert the front stretcher (E) between the front legs.
- 3) Securely tighten all bolts, but do not over tighten the bolts.
- 4) Tighten all screws (f) through the stretchers (C, D, E) to the front legs and chair back legs with screw driver(not provided).



**ADDITIONAL NOTE ABOUT SAFETY: BOLTS MAY LOOSEN DURING NORMAL EVERYDAY USE. THEY SHOULD BE PERIODICALLY INSPECTED AND RE-TIGHTENED TO PREVENT DAMAGE OR INJURY. ALWAYS CHECK TO BE SURE THAT ALL HARDWARE IS KEPT TIGHTENED.**

**Thank you for your purchase**