

# ASSEMBLY INSTRUCTIONS

## Description: Counter Stool

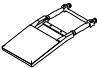




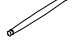
### Important safety instructions:

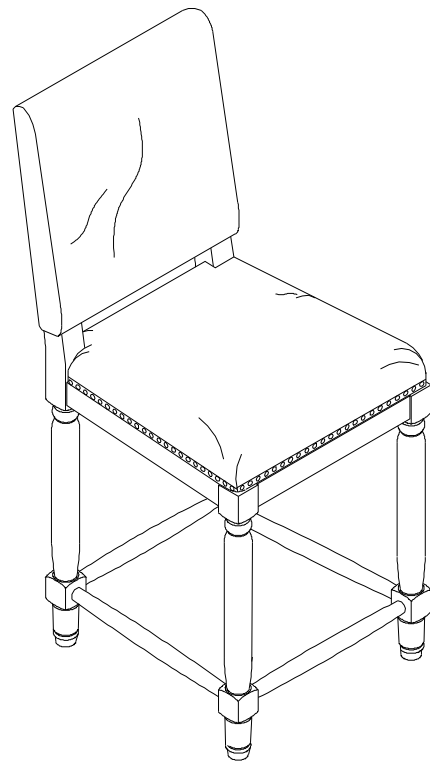
- Please carefully read all instructions before assembling the stool.
- For your safety and ease, assembly by two or more adults is recommended.
- Keep instructions for future use.

### Pre-assembly:







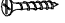
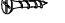
- Do not discard any contents until after assembly is complete to avoid accidentally discarding small parts or hardware.
- Remove all parts and hardware from box along with any plastic protective packaging.

### Parts List

| Item | Description     |   | QTY |
|------|-----------------|---|-----|
| A    | Chair Back      |    | 1   |
| B    | Seat Cushion    |    | 1   |
| C    | Seat Frame      |    | 1   |
| D    | Front Legs      |    | 2   |
| E    | Short stretcher |  | 1   |
| F    | Long stretchers |  | 2   |



### Hardware List

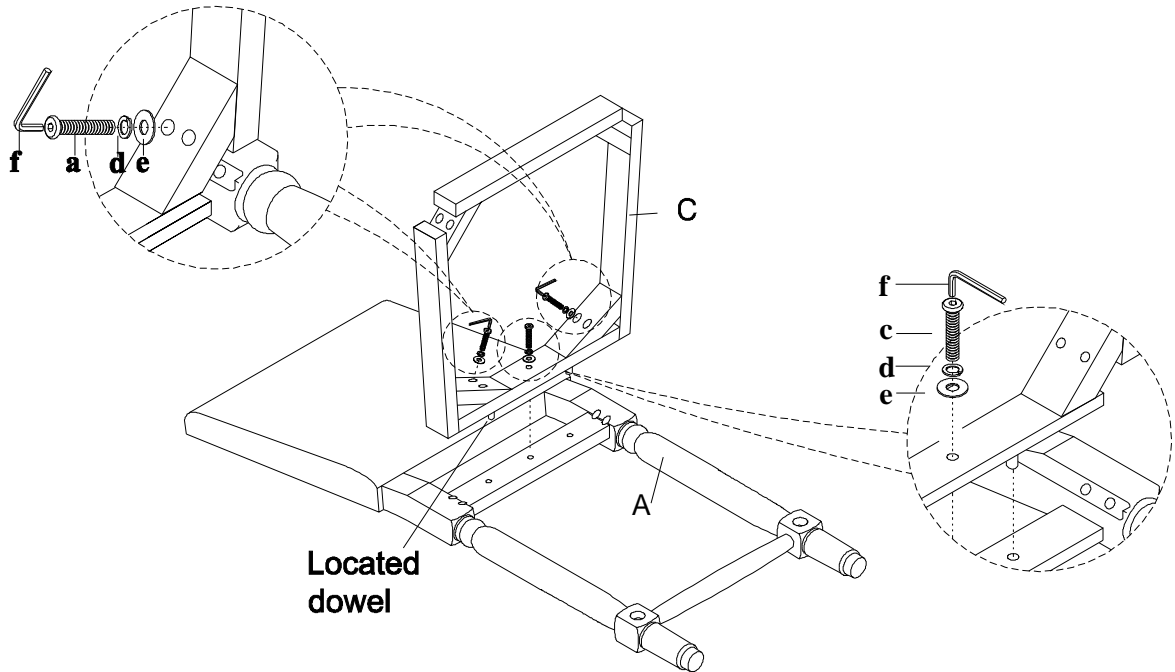
| Item | Description                |   | QTY |
|------|----------------------------|---|-----|
| a    | Long Bolts Ø5/16"×3-1/2"   |  | 4   |
| b    | Medium Bolts Ø5/16"×2-1/4" |  | 4   |
| c    | Short Bolts Ø5/16"×1-3/4"  |  | 1   |
| d    | Lock Washers 5/16"         |  | 9   |
| e    | Flat Washers 5/16"         |  | 9   |
| f    | Allen Wrench 5/16"         |  | 1   |
| g    | Wood Screws 8#×1-3/4"      |  | 6   |
| h    | Wood Screws 8#×5/8"        |  | 2   |

**Assembly Procedures:**

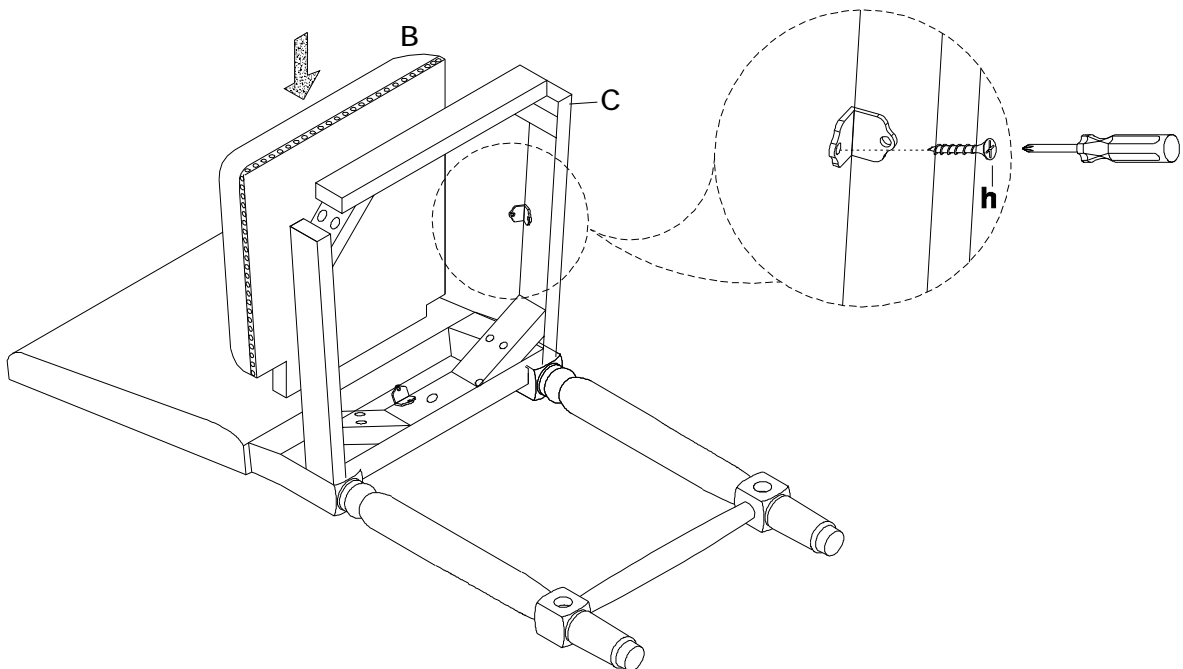
**Step 1.**

1). Assemble the stool on a flat, soft surface such as a carpet or cloth to prevent scratching the finish. Attach assembled seat frame (C) to the chair back (A) using bolts (c), bolts (a), lock washers (d) and flat washers (e) as shown below.

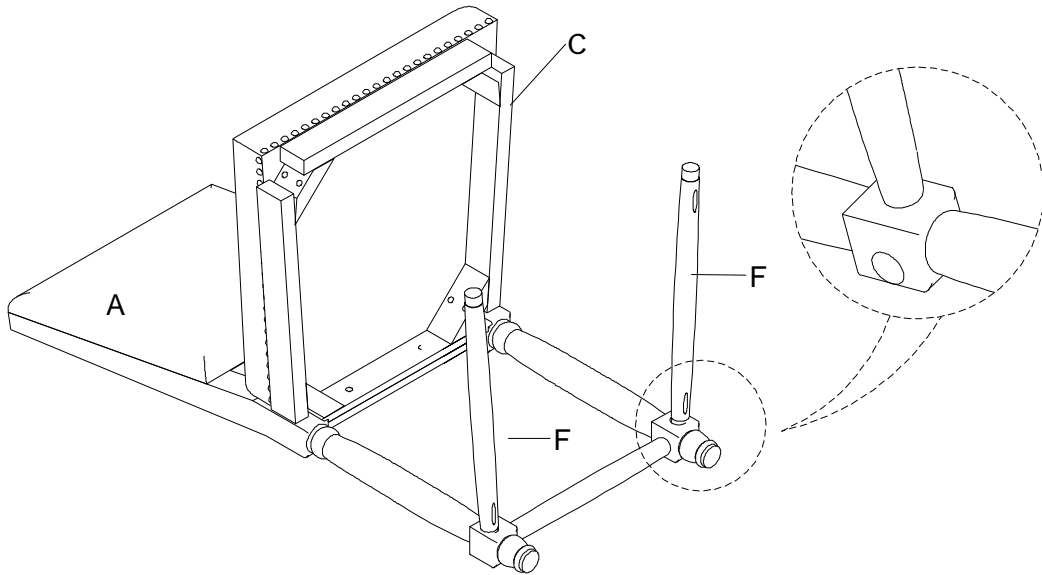
2). Loosely tighten all bolts with Allen wrench (f).



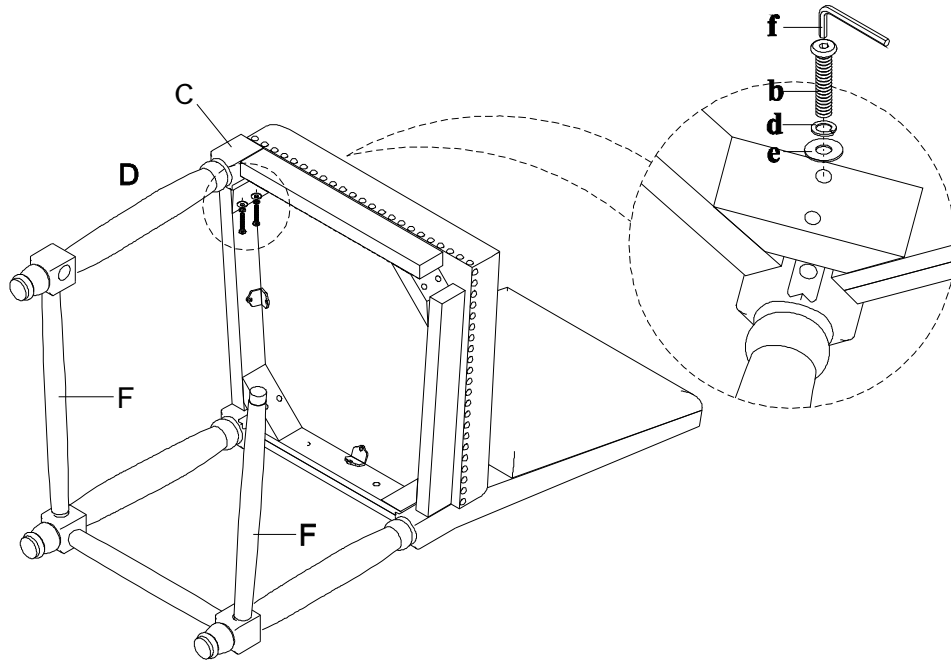
**Step 2.** Pushing the seat cushion (B) from front to the back till the back of cushion close to the chair back leg tightly, then attach the the seat cushion (B) to the seat frame (C), tighten screws (h) with screwdriver (not provided).



**Step 3. Insert the long stretchers (F) into the hole on chair back (A) as shown.**

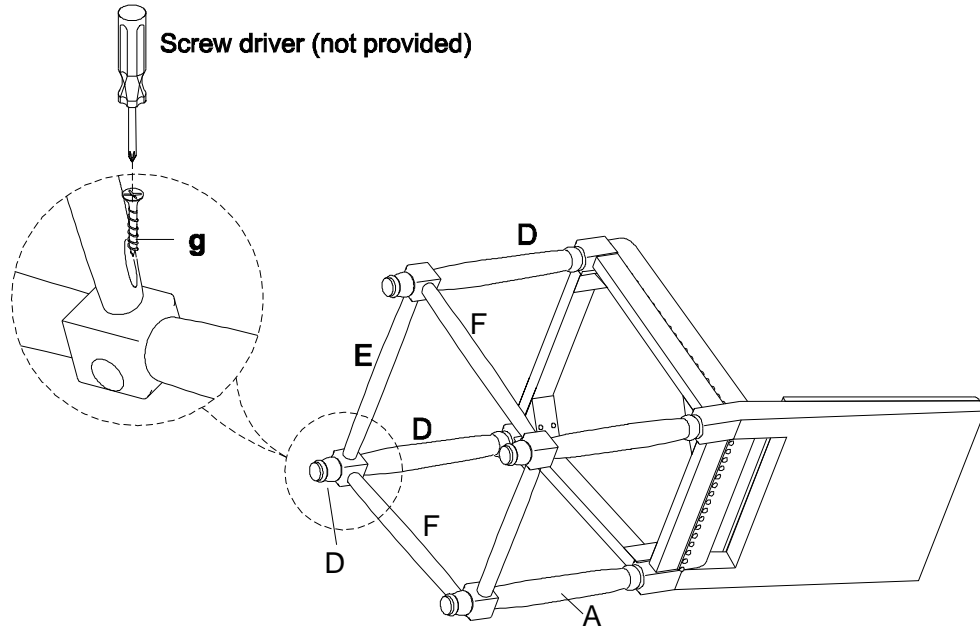


**Step 4. Attach one front leg (D) to the seat frame (C) and the side stretcher (F) according the label on the top of left leg and the corner block, using bolts (b), lock washers (d) and flat washers (e). Loosely tighten with Allen wrench (f).**

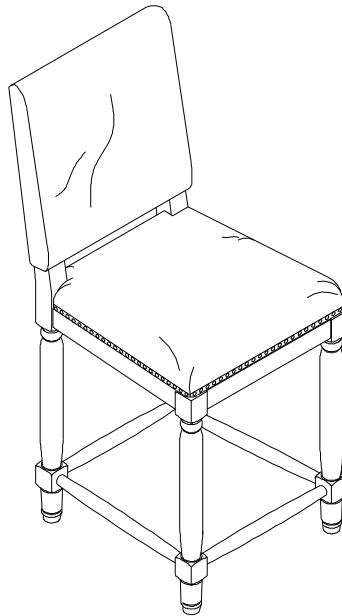


**Step 5.**

- 1). Insert front stretcher (E) between the two legs (D). then repeat the step 4 to attach another front leg (D).
- 2). Make sure all screw holes on all stretchers face down, then securely tighten all bolts with Allen wrench (f), but do not over tighten the bolts. Tighten screws (g) through the stretchers (E) & (F) to the legs (D) and chair back legs with screwdriver (not provided).



**Step 6.** Turn assembled the stool to an upright position. Securely tighten all bolts by Allen wrench (f). Assembly is complete. Failure to follow these instructions may cause the bolts to misalign during assembly.



ADDITIONAL NOTE ABOUT SAFETY: BOLTS MAY LOOSEN DURING NORMAL EVERYDAY USE. THEY SHOULD BE PERIODICALLY INSPECTED AND RE-TIGHTENED TO PREVENT DAMAGE OR INJURY. ALWAYS CHECK TO BE SURE THAT ALL HARDWARE IS KEPT TIGHTENED.

**Thank you for your purchase**