
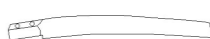




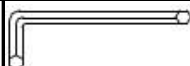
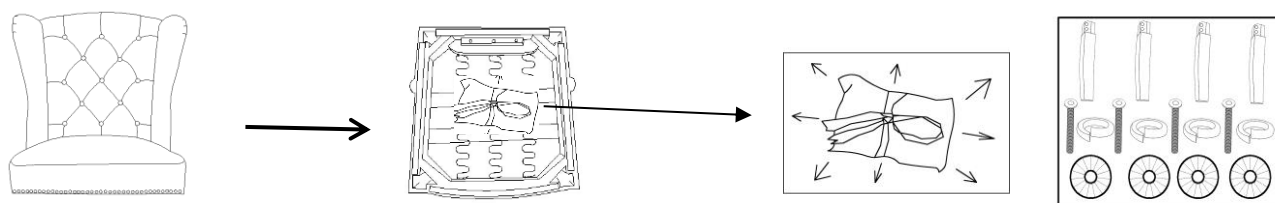


MADISON **PARK** ASSEMBLY INSTRUCTION

DINING CHAIR

PARTS LIST							
ITEM	DESCRIPTION		QTY	ITEM	DESCRIPTION		QTY
A		Bolt	8	E		back leg	2
B		washer	8	F		front leg	2
C		lock washer	8	G		chair back attached seat	1
D		Allen Wrench	1				

Step 1: Open the black fabric underneath the seat and take out the legs and hardware kit

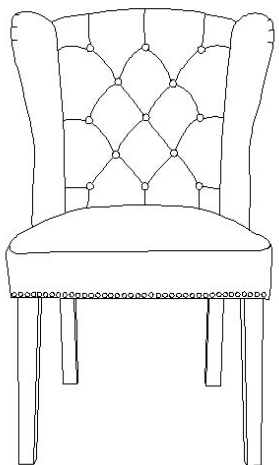


The diagram shows the chair back being placed on a smooth flat surface. A top-down view of the seat frame is shown with a front leg (F) being attached to the frame. A bolt (A), washer (B), and lock washer (C) are shown being inserted into the frame. An Allen wrench (D) is used to tighten the bolt. The diagram also shows the back leg (E) being attached to the frame.

Step 2 : Place the chair back on a smooth flat surface.

Step 3: Attach the front leg (F) to seat frame using bolt (A), washer (B), lock washer (C), use allen wrench (D) to secure the bolts.

Step 4 : Attach the back leg (E) to seat frame using bolt (A), washer (B), lock washer (C), use allen wrench (D) to secure the bolts.



The final diagram shows the fully assembled dining chair, which is a tufted back chair with a seat and four legs.

Step 5: Level the chair and place it on a level surface

kit

)

)

|

