


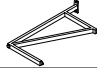


#### Important safety instructions:

- Please carefully read all instructions before assembling the table.
- For your safety and ease, assembly by two or more adults is recommended.
- Keep instructions for future use.



#### Pre-assembly:

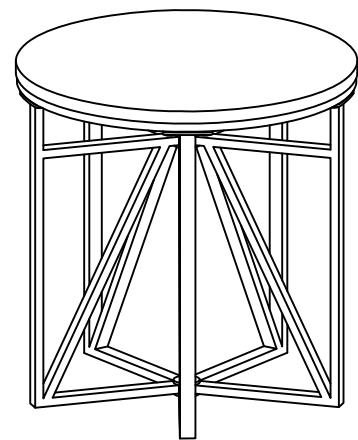
- Do not discard any contents until after assembly is complete to avoid accidentally discarding small parts or hardware.
- Remove all parts and hardware from box along with any plastic protective packaging.

#### Parts List

Item	Description	QTY
1.	Table Top 	1
2.	Legs 	5
3.	Mounting Plate-1 	2
4.	Mounting Plate-2 	2

#### Hardware List

Item	Description	QTY
a	Bolts $\varnothing 1/4" \times 1/2" L$ 	12
b	Allen Wrench $1/4"$ 	1

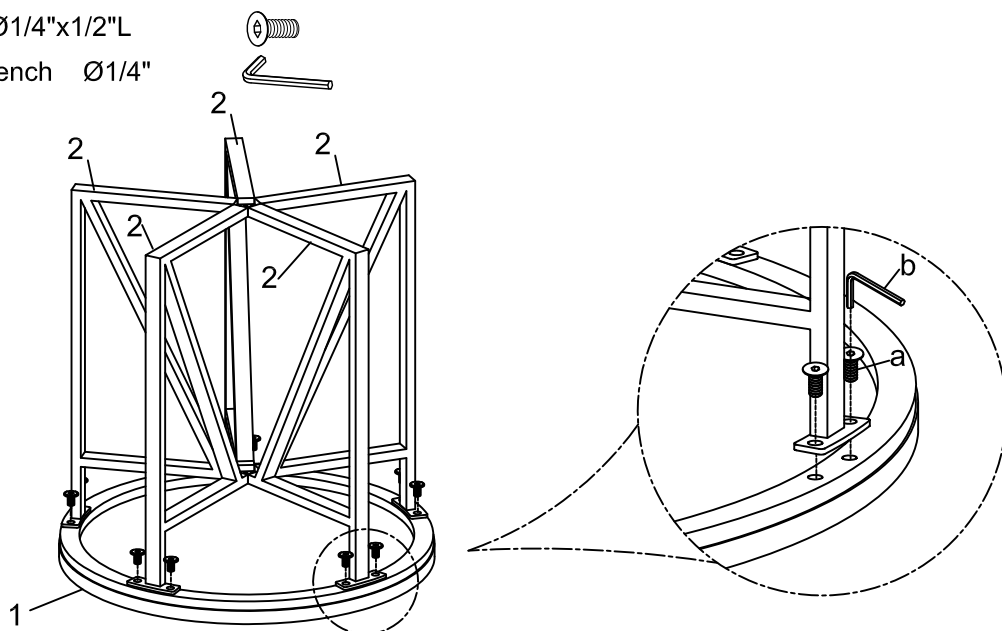


#### Assembly Procedures:

Step 1. Assemble the table on a flat, soft surface such as a carpet or cloth to prevent scratching the finish. **Loosely** attach each leg (2) to table top (1) as shown below.

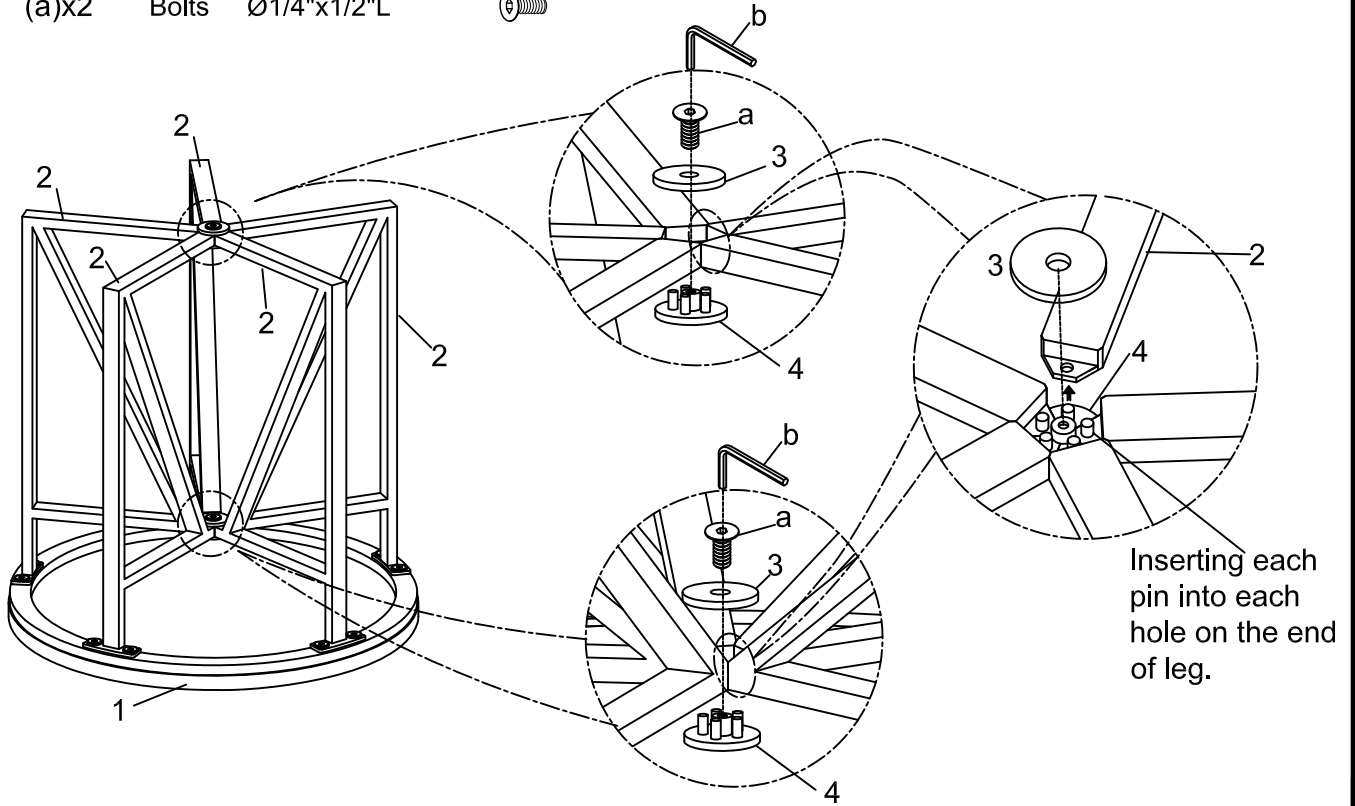
(a)x10 Bolts  $\varnothing 1/4" \times 1/2" L$

(b)x1 Allen Wrench  $\varnothing 1/4"$



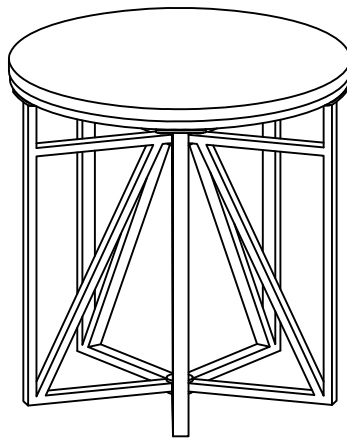
Step 2. Attach mounting plates (3,4) to the assembled legs (2) using bolts (a) as shown below.

(a)x2 Bolts  $\varnothing 1/4$ "x1/2"L



Step 3.

- 1) Securely tighten all bolts with Allen wrench (b).
- 2) Turn the assembled table to an upright position.
- 3) Leveler adjustment: Leveler are pre-installed on the legs and adjust as needed to make sure the desk is level. Assembly is complete. Failure to follow these instructions may cause the bolts to misalign during assembly.



**ADDITIONAL NOTE ABOUT SAFETY: BOLTS MAY LOOSEN DURING NORMAL EVERYDAY USE. THEY SHOULD BE PERIODICALLY INSPECTED AND RE-TIGHTENED TO PREVENT DAMAGE OR INJURY. ALWAYS CHECK TO BE SURE THAT ALL HARDWARE IS KEPT TIGHTENED.**

Thank you for your purchase