

MADISONPARK PARKER SIDE TABLE

Assembly instructions:

PARTS LIST

No.	DESCRIPTION	IMAGE	QTY
P1	TOP		1
P2	LEGS		2
P3	BASE		1

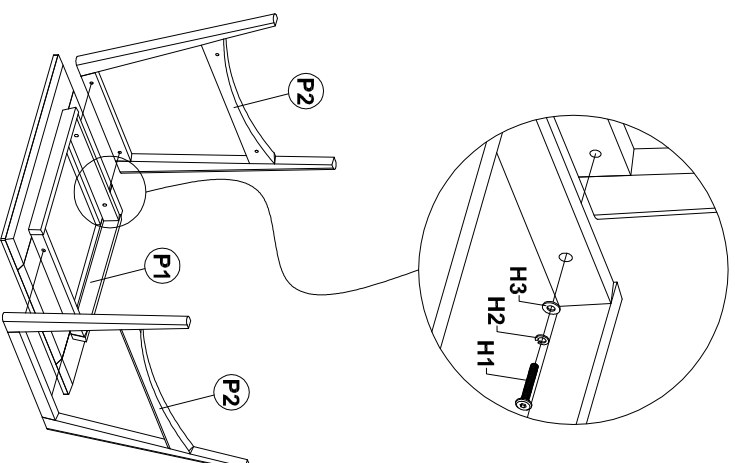
HARDWARE LIST

No.	DESCRIPTION	IMAGE	QTY
H1	BOLT		8
H2	SPRING WASHER		8
H3	FLAT WASHER		8
H4	ALLEN KEY		1

NOTE: PO# is located underneath/ inside of each item. Please be prepared to provide this # should any claim be necessary.

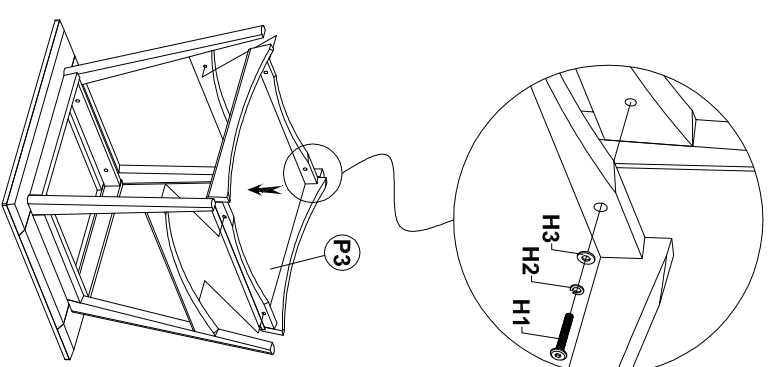
CAUTION: Item is heavy assembly should be performed by two people.

1

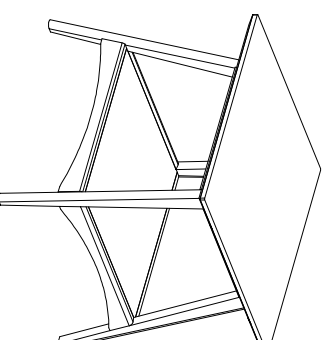


PLS, DON'T TIGHTEN BOLTS UNTIL LAST STEP

2



3



ASSEMBLED COMPLETE