

MADISON PARK. PARKER COFFEE TABLE

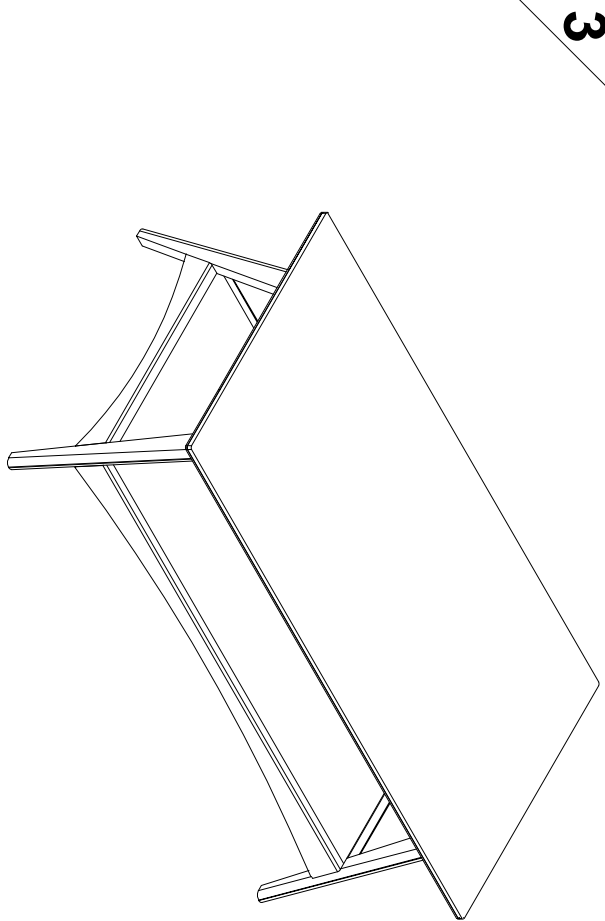
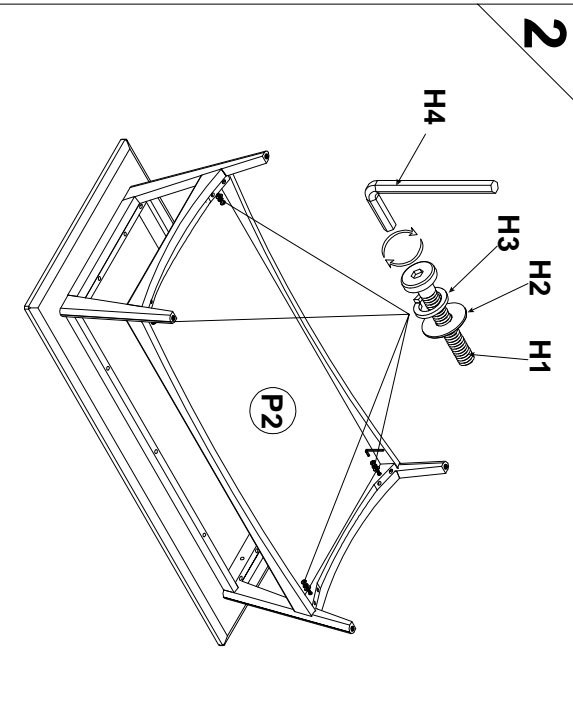
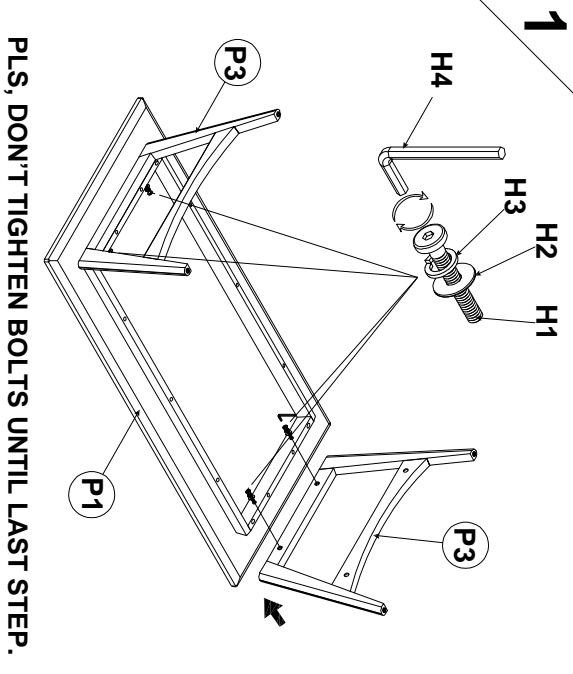
Assembly instructions:

PARTS LIST			
No.	DESCRIPTION	IMAGE	QTY
P1	TABLE TOP		1
P2	BASE		1
P3	LEGS		2

HARDWARE LIST			
No.	DESCRIPTION	IMAGE	QTY
H1	BOLT (ø1/4" x38mm)		8
H2	FLAT WASHER (ø1/4" x16mm)		8
H3	SPRING WASHER (ø1/4" x11mm)		8
H4	ALLEN KEY (M4 x60mm)		1

NOTE: PO # is located underneath/ at the back side of each item. Please be prepared to provide this # should any claim be necessary.

CAUTION: Item is heavy. Assembly should be performed by two people.



ASSEMBLY COMPLETED