



LIVING SPACES

BOX 1 - TOP FRAME

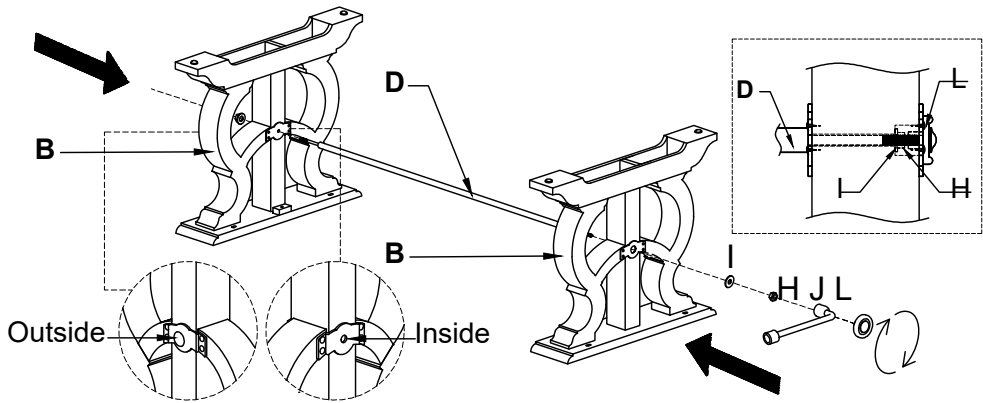
A	PD5066-20TP		X1
---	-------------	--	----

BOX 2 - BASE & HW

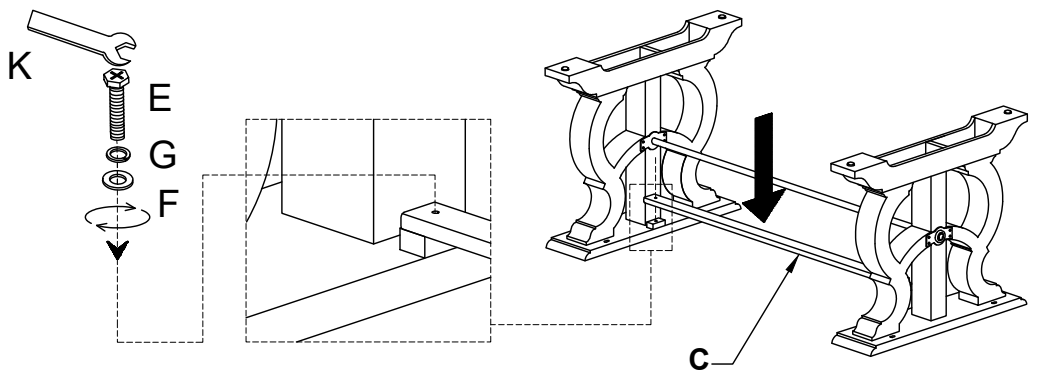
B	PD5066-20LG		X2
C	PD5066-20SR		X1
D	PD5066-20MS		X1
E	PD5066-20-HD		X10
F	PD5066-20-HD		X10
G	PD5066-20-HD		X10
H	PD5066-20-HD		X2
I	PD5066-20-HD		X2
J	PD5066-20-HD		X1
K	PD5066-20-HD		X1
L	PD5066-20-HD		X2

MARTIN DINING

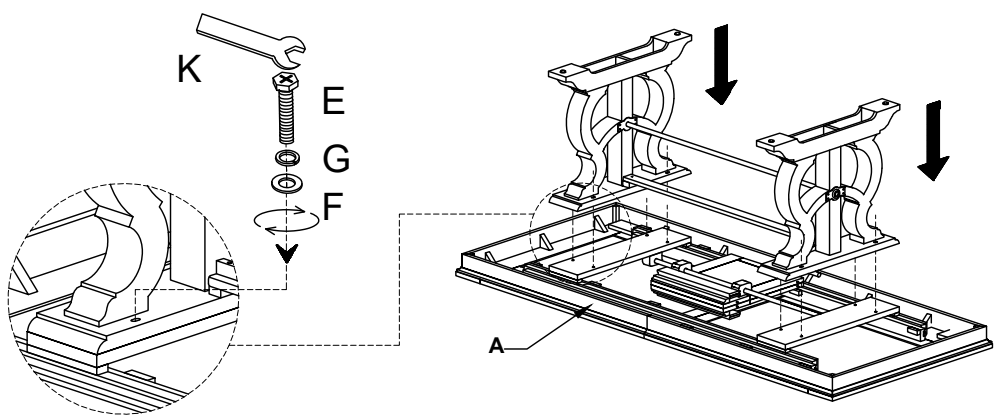
①



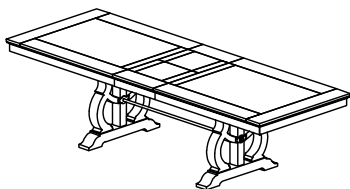
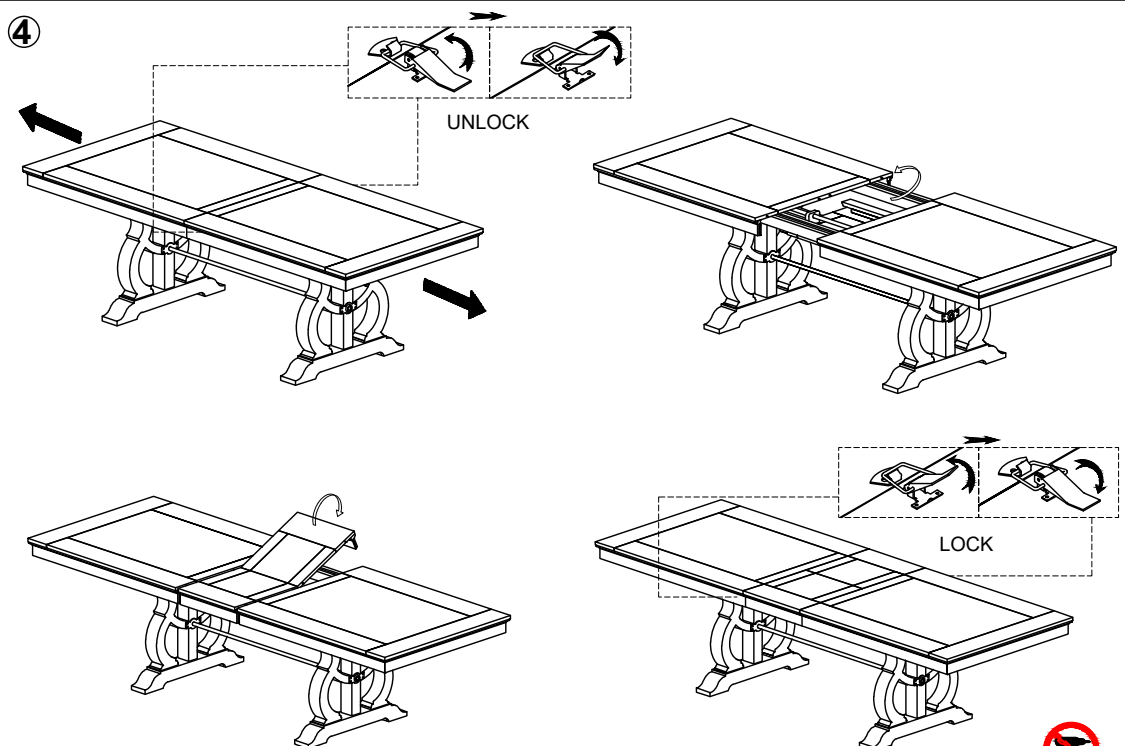
②



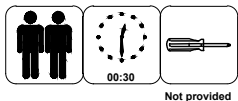
③



④



267410/297409 /D5066-20T/20B
MARTIN TOP EXTENSION DINING TABLE
MARTIN BASE EXTENSION DINING TABLE



Not provided

ASSEMBLY COMPLETED



WARNING: ONLY THE HAND TOOLS PROVIDED