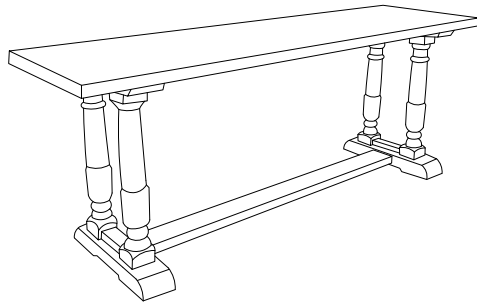


Progressive® ASSEMBLY INSTRUCTION

furniture

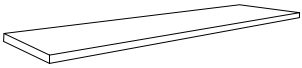
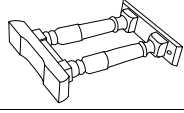

Item No: D872-69


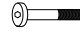





Description: DINING BENCH



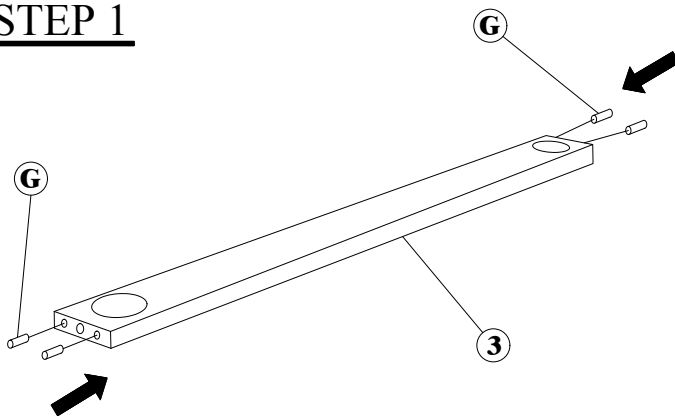
IMPORTANT NOTE :

- Place all wooden parts on a clean and smooth surface such as a rug or carpet to avoid the parts from being scratched.
- Check to be sure that you have all parts and hardware.
- Remove all wrapping materials, including staples & packing straps before you start to assemble.
- Do not tighten all screws/bolts until all completely assembled.
- Keep all hardware parts out of reach of children.

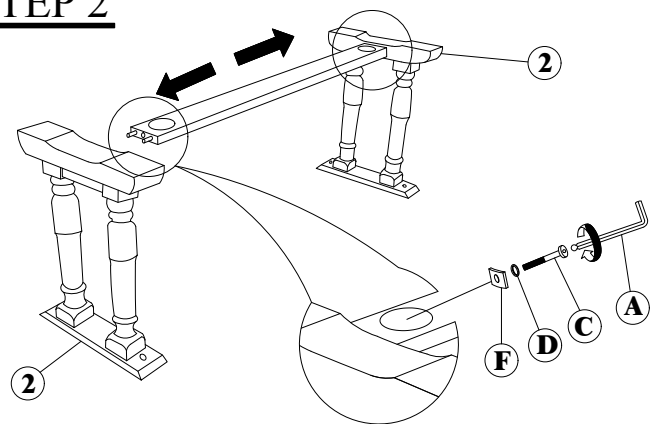
PARTS LIST		
NO.	COMPONENT	QTY.
1	SEAT 	1 PCS
2	LEG ASSEMBLY 	2 PCS
3	STRETCHER 	1 PCS

HARDWARE LIST		
NO.	DESCRIPTION	QTY.
A	M4 x 100MM ALLEN KEY 	1 PCS
B	M6 x 35MM JCBC BOLT 	4 PCS
C	M6 x 50MM JCBC BOLT 	2 PCS
D	M6 x 13MM SPRING WASHER 	6 PCS
E	M6 x 19MM FLAT WASHER 	4 PCS
F	RECT FLAT WASHER 	2 PCS
G	10MM x 30MM WOOD DOWEL 	4 PCS

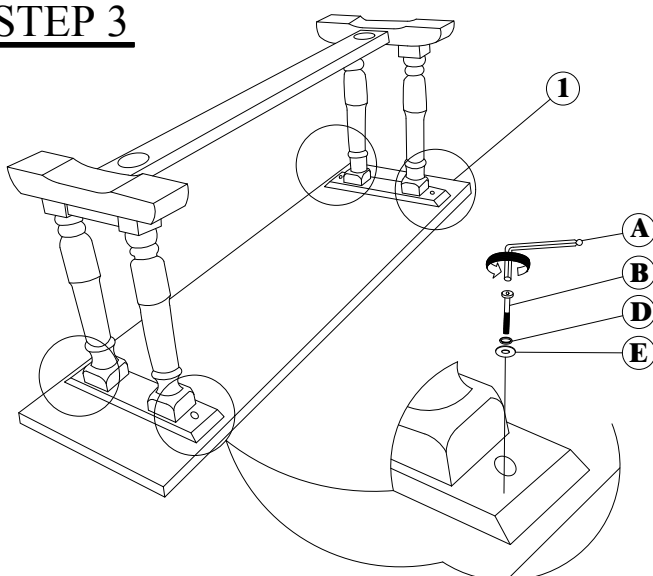
STEP 1



STEP 2



STEP 3



STEP 4

