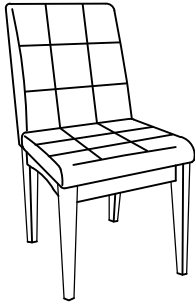


ASSEMBLY INSTRUCTION

Item No: D838-61





Description: DINING CHAIR



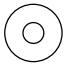



IMPORTANT NOTE :

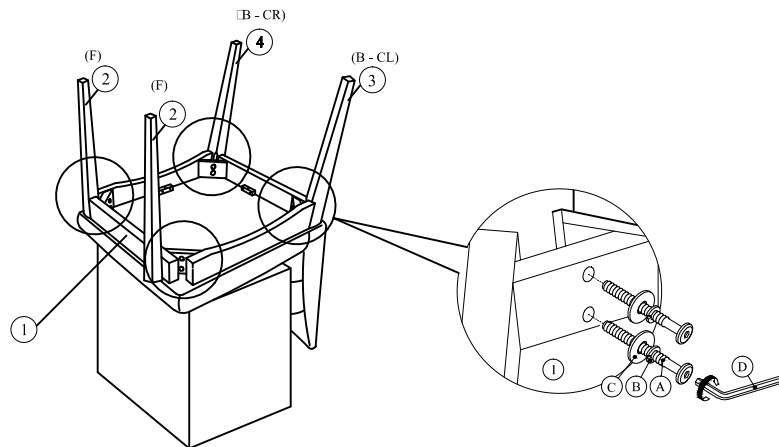
- Place all wooden parts on a clean and smooth surface such as a rug or carpet to avoid the parts from being scratched.
- Check to be sure that you have all parts and hardware.
- Remove all wrapping materials, including staples & packing straps before you start to assemble.
- Do not tighten all screws/bolts until all completely assembled.
- Keep all hardware parts out of reach of children.

△ PARTS FOR EACH CHAIR

PARTS LIST		
NO.	COMPONENT	QTY.
1	BOX SEAT WITH CUSHION SEAT 	1 PCS
2	FRONT LEG - "F" 	2 PCS
3	LEFT BACK LEG - "B-CL" 	1 PCS
4	RIGHT BACK LEG - "B-CR" 	1 PCS

HARDWARE LIST		
NO.	COMPONENT	QTY.
A	JCBC BOLT - M6 x 60MM 	8 PCS
B	SPRING WASHER - 1/4" 	8 PCS
C	FLAT WASHER - 1/4" 	8 PCS
D	ALLEN KEY - M4 x 65MM 	1 PCS

STEP 1



STEP 2

