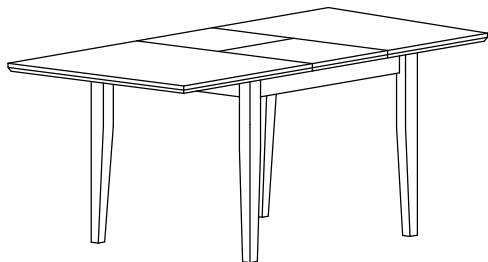


ASSEMBLY INSTRUCTION

Item No: D838-14



Description: BUTTERFLY DINING TABLE



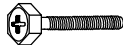


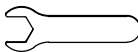
IMPORTANT NOTE :

- Place all wooden parts on a clean and smooth surface such as a rug or carpet to avoid the parts from being scratched.
- Check to be sure that you have all parts and hardware.
- Remove all wrapping materials , including staples & packing straps before you start to assemble.
- Do not tighten all screws/bolts until all completely assembled.
- Keep all hardware parts out of reach of children !
- Tighten screws periodically ! With the use of this product bolts and screw may become loose over time !
- Don't attempt to modify parts !

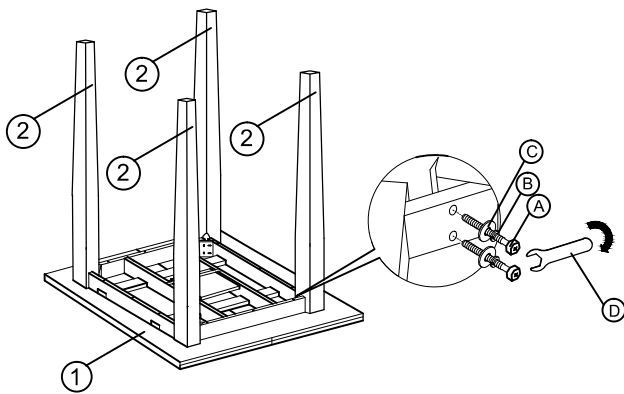
PARTS LIST

NO.	COMPONENT	QTY.
1	TABLE TOP 	1 PCS
2	TABLE LEG 	4 PCS

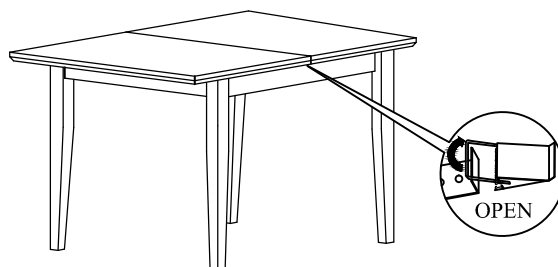
HARDWARE LIST

NO.	COMPONENT	QTY.
A	HEX BOLT - 5/16" x 2 1/2" 	8 PCS
B	SPRING WASHER - 5/16" 	8 PCS
C	FLAT WASHER - 5/16" 	8 PCS
D	WRENCH- 12.8MM 	1 PCS

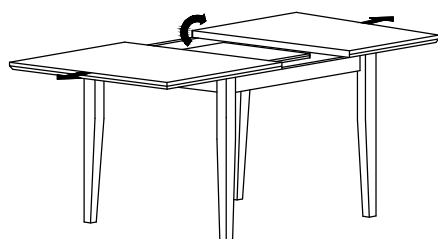
STEP 1



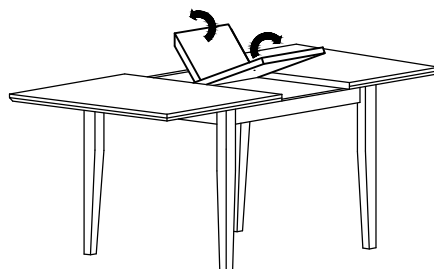
STEP 2



STEP 3



STEP 4



STEP 5

