

Thank You for purchasing this Quality product. It has been engineered for easy assembly yet constructed for durability. Please take the time to read and follow the instruction while assembling.

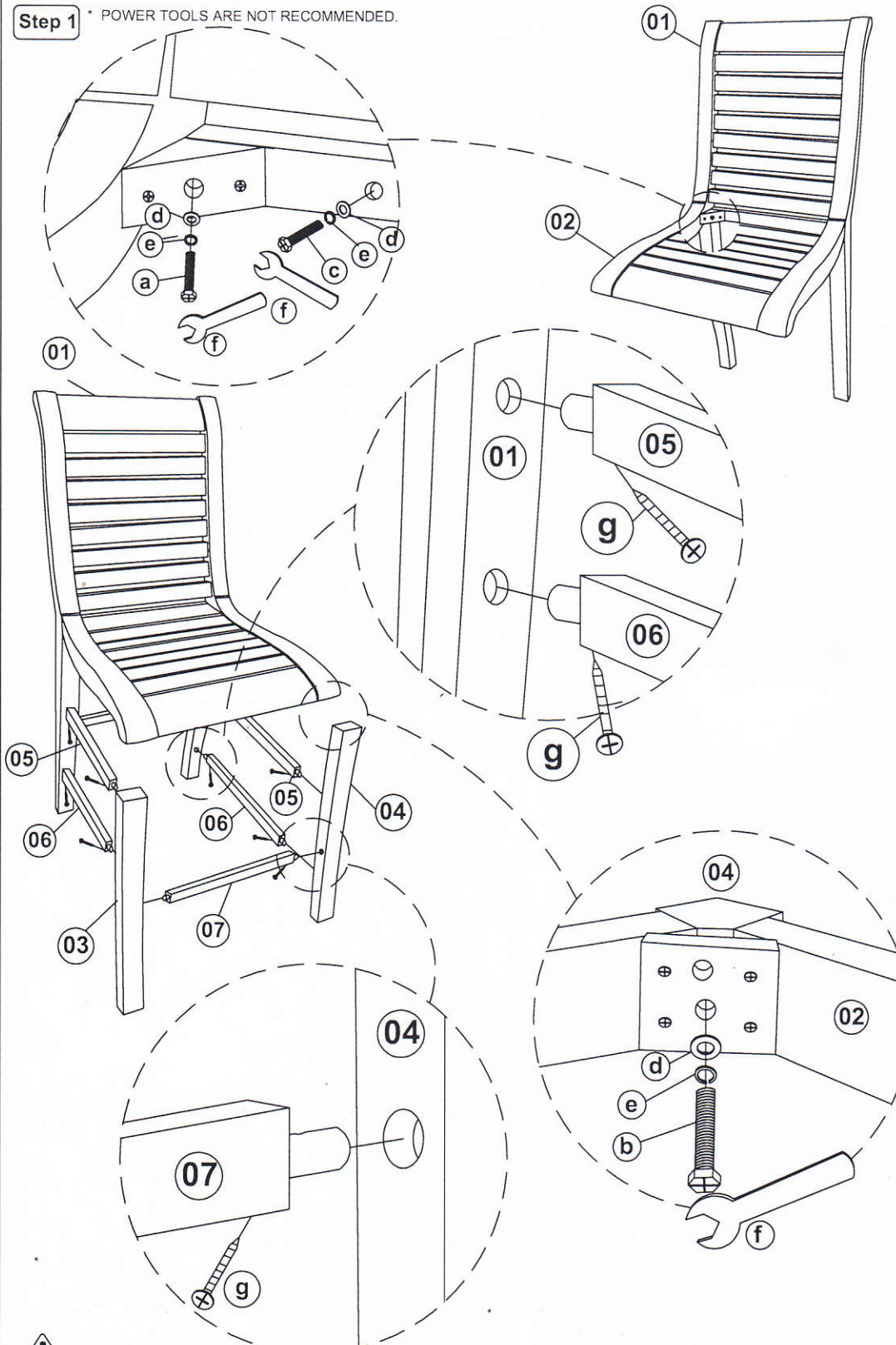
ASSEMBLY INSTRUCTIONS

COUNTER CHAIR

Model : D801, P808, 812, 820-63 (CS 1312-RTA- 24")

Step 1 * POWER TOOLS ARE NOT RECOMMENDED.

Size : 19 " (W) x 23 " (D) x 41 ⁷/₈" (H)



List of Part For 1 Set

Code	Figure	Part	Qty.
01		Chair Back	1
02		Seat Frame	1
03		Front Leg (L)	1
04		Front Leg (R)	1
05		Side Top Stretcher (Medium)	2
06		Side Bottom Stretcher (Long)	2
07		Front Stretcher (Short)	1

List of hardware For 1 Set

Code	Figure	Hardware	Qty.
a		Hex. Bolt M6 x 80mm	2
b		Hex. Bolt M6 x 60mm	4
c		Hex. Bolt M6 x 40mm	3
d		Flat Washer 1/2" x 18mm	9
e		Spring Washer 1/2"	9
f		Spanner 10mm	1
g		PHRS Screw #8 x 1 1/2"	10

Important Notes

- * Keep all hardware parts out of reach of children.
- * Must tighten screws periodically. With use screws will become loose. Check tightness of all screws every 6-8 weeks.
- * Don't attempt to repair or modify parts that are broken or defective. Please contact the store immediately.
- * Do not tighten all screw / bolt until all completely assembled.

Notes

- * Place all wooden parts on a clean and smooth surface such as a rug or carpet to avoid the parts from being scratched.
 - * Check to be sure that you have all parts and hardware.
 - * Remove all wrapping materials including staples & packing straps before you start to assemble.
- Care And Maintenance**
- * The Touch of a soft cloth is all the maintenance your wood pieces will ever need.
 - * Never use harsh chemicals or abrasive cleaner as they could mark or destroy finish.

