

IMPORTANT NOTE :

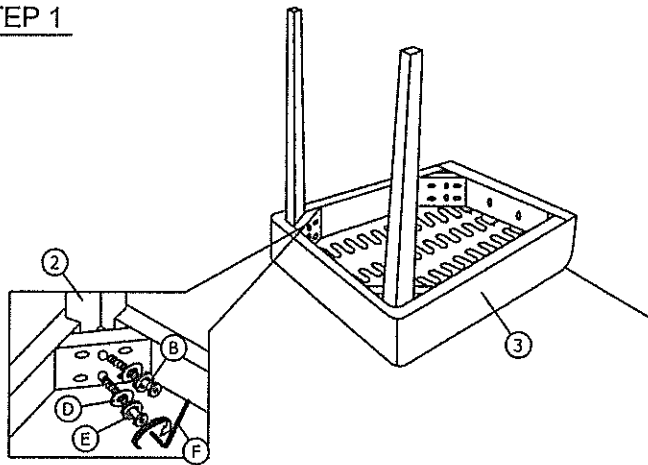
- Place all wooden parts on a clean and smooth surface such as rug or carpet to the parts from being scratched.
- Check to be sure that you have all parts and hardware.
- Remove all wrapping materials, including staples & packing straps before you start to assemble.

Each chair

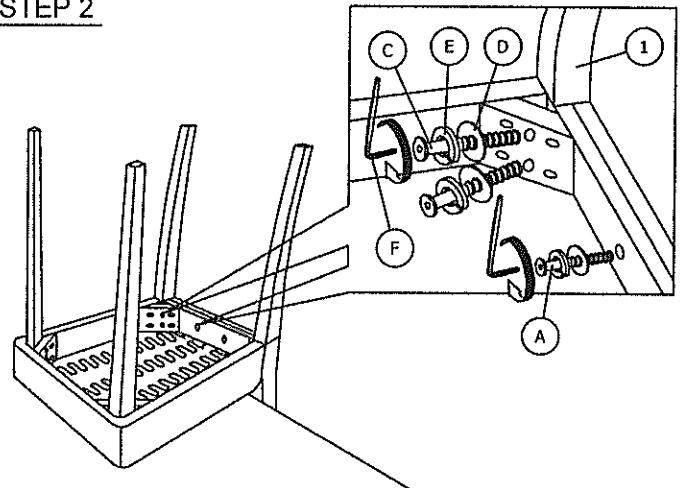
PART LIST		
ITEM	DESCRIPTION	QTY
1	CHAIR BACK	1 PC
2	FRONT LEG	2 PCS
3	CUSHION SEAT FRAME	1 PC
4	SKIRTING	1 PC

PART LIST		
ITEM	DESCRIPTION	QTY
A	JCBC Bolt M6 x 45mm	2pcs
B	JCBC Bolt M6 x 60mm	4pcs
C	JCBC Bolt M6 x 80mm	4pcs
D	M7 x 19 x 1.0 Flat Washer	10pcs
E	M6 Spring Washer	10pcs
F	M4 Allen Key	1pc

STEP 1



STEP 2



STEP 3

