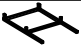


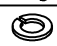







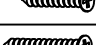


ASSEMBLY INSTRUCTIONS

A103-42 WOOD/METAL BAR STOOL A103-43 WOOD/METAL COUNTER STOOL

Thank you for purchasing this high quality product. Check carefully for small parts which may have come loose during shipment.

PARTS LIST				HARDWARE LIST			
A	Front Leg Frame		1pc	a	Bolts $\phi 1/4" * 3/4"$		8pcs
B	L&R Seat Supports		2pcs	b	Lock Washers $\phi 1/4"$		8pcs
C	Footrest supports		2pcs	c	Lock Washers $1/4" * 16mm$		8pcs
D	Back Leg Frame		1pc	d	Allen (M4)		1pc
E	Wood Backrest		1pc	e	Short Wood Screws (1-1/2")		10pcs
F	Wood Seat		1pc	f	Long wood Screws (2")		2pcs

Identify L&R Seat Supports (B), attach the square end at the Front Leg Frame (A) and angled end at the back with the longer part of the angle at the bottom. Do not tighten.

Diagram 1

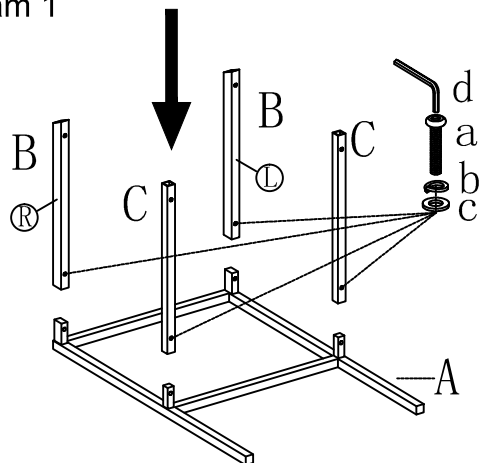
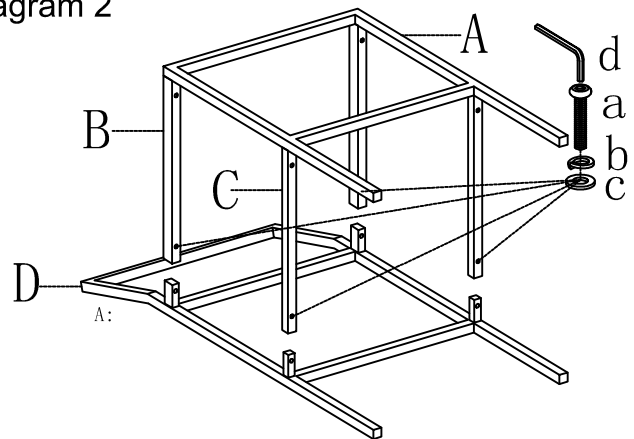


Diagram 2



A: ZOOM IN

Do not tighten bolts until total assembled. put stool on flat surface and tighten all bolts, then attach seat.

Diagram 3

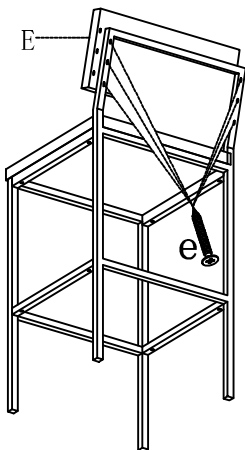
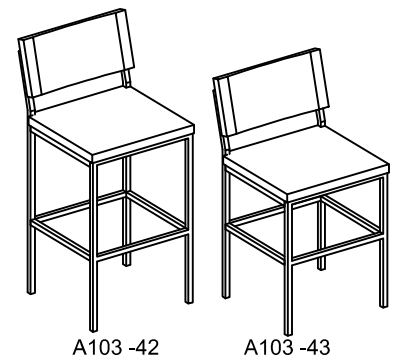
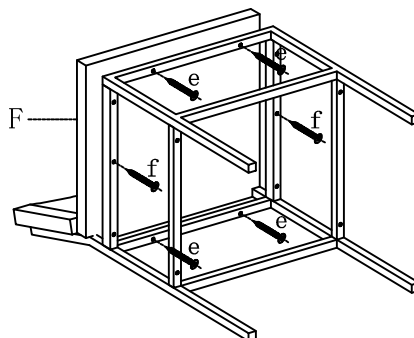


Diagram 4



A103-42

A103-43

MADE IN CHINA