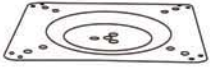


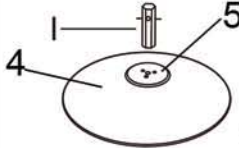












ITEM NAME / NOM D'ITEM: MOLLY DINING TABLE

ITEM #/NO. ITEM: 101818/101819

PARTS LIST/LISTE DES PIÈCES

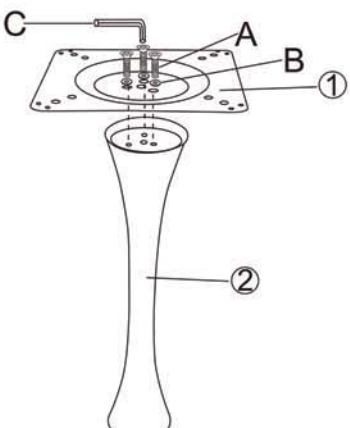
(1)	(2)	(3)	(4)	(5)
 x1	 x1	 x1	 x1 *Use tool "I" to separate (5) from (4) before assembly.	 x1

(6)

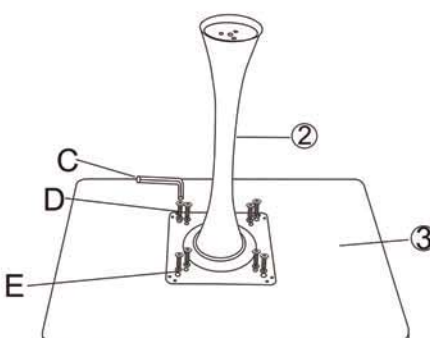
A.  M8 x 30mm x6	B.  Ø18mm x6	C.  5mm x1	D.  M8 x 16mm x8
E.  Ø16mm x8	F.  M12 x 80mm x1	G.  Ø24mm x1	H.  Ø12mm x1
I.  Ø14mm x1			

ASSEMBLY INSTRUCTIONS/INSTRUCTIONS D'ASSEMBLAGE

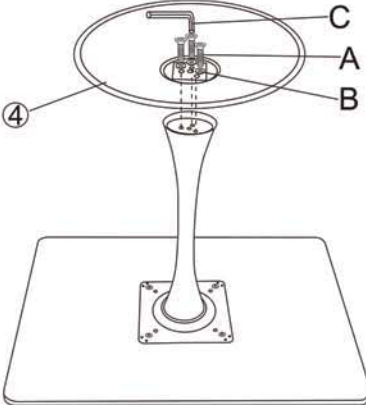
I.



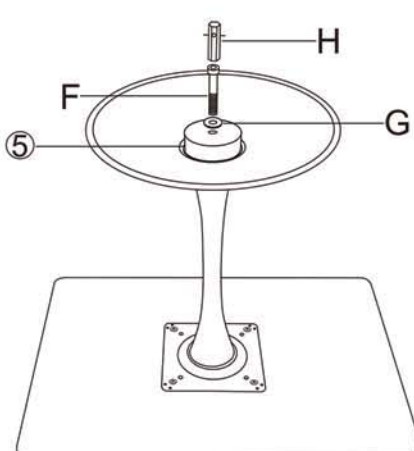
II.



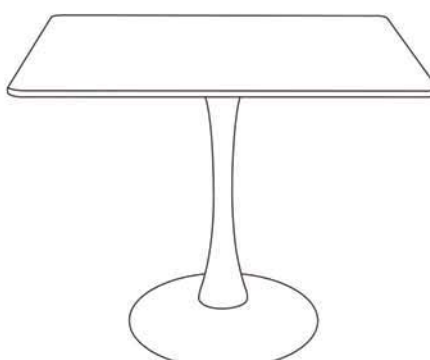
III.



IV.



V.



AFTER USE

Please
CLEAN
UP!

The finish of the table-top is a 3D paper veneer; we suggest to clean up the table at once after use. The stain might not be easily cleaned if they stay at the table for too long.

For missing parts or damaged parts, please call

USA : 1-866-798-6663

Canada : 514-382-6661