

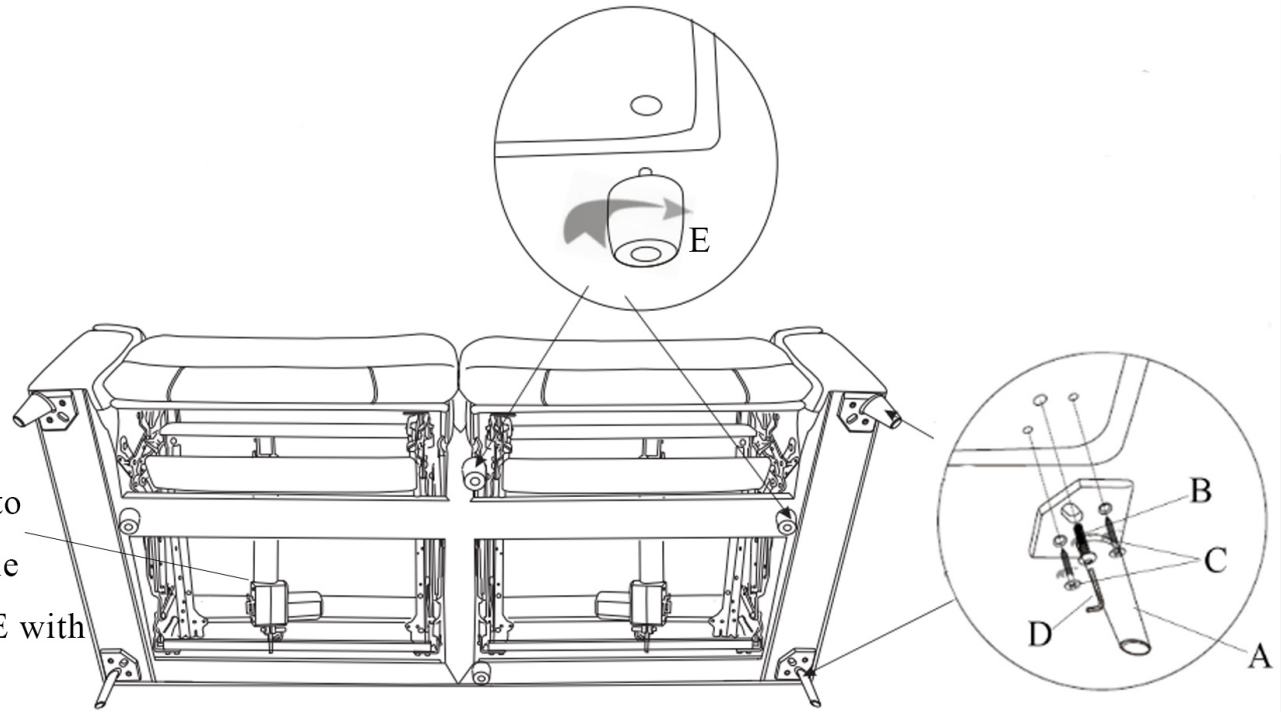


LIVING SPACES

1

A	KM.5012-3(2A)E-A Metal leg	X 4
B	KM.5012-3(2A)E-B Hexagon socket screw	X 4
C	KM.5012-3(2A)E-C wood screw	X 8
D	KM.5012-3(2A)E-D Allen key	X 1
E	KM.5012-3(2A)E-E Plastic leg	X 4

legs are tied to
bottom middle
frame by EPE with
a red string

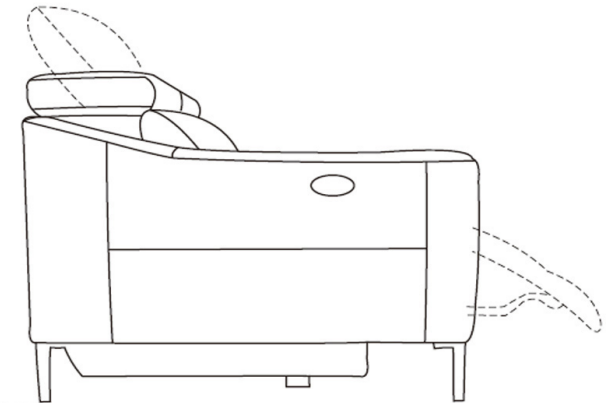
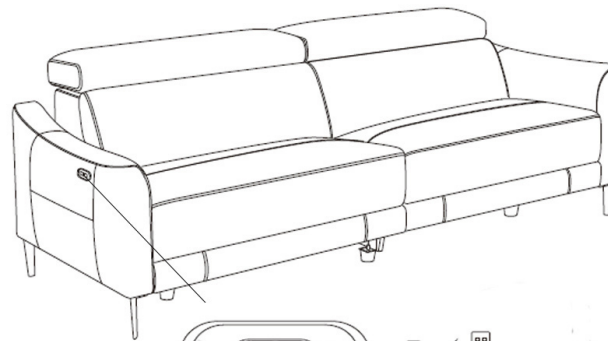
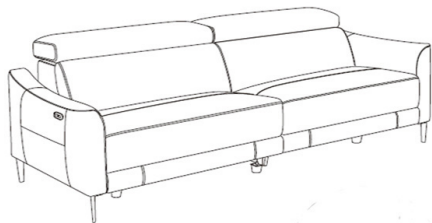


261595

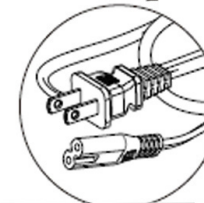
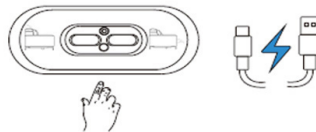
LORENZO POWER RECLINING
SOFA

2

two power reclining



switch with USB charger

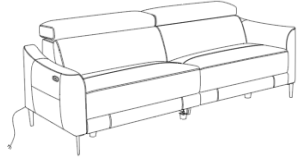


plug in US standard



LIVING SPACES

Living Spaces Information	
LS SKU:	261595
LS Product Name:	LORENZO POWER RECLINING SOFA
Vendor Model #:	KM. 5012-3(2A)E
Vendor Collection:	POWER RECLINING SOFA

CODE	PART #	DESCRIPTION		QUANTITY	NOTES
1	power cord in US standard	POWER RECLINER		1	1 cord x 81" / 6.75 feet