

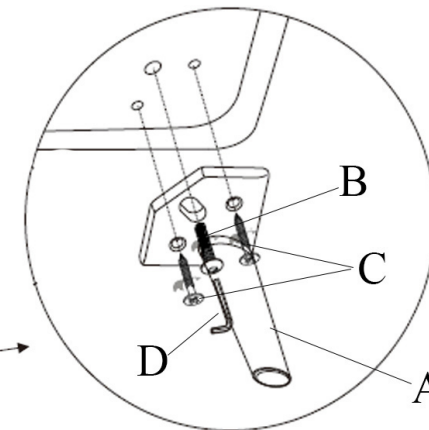
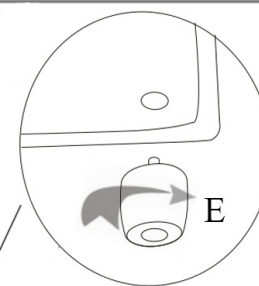
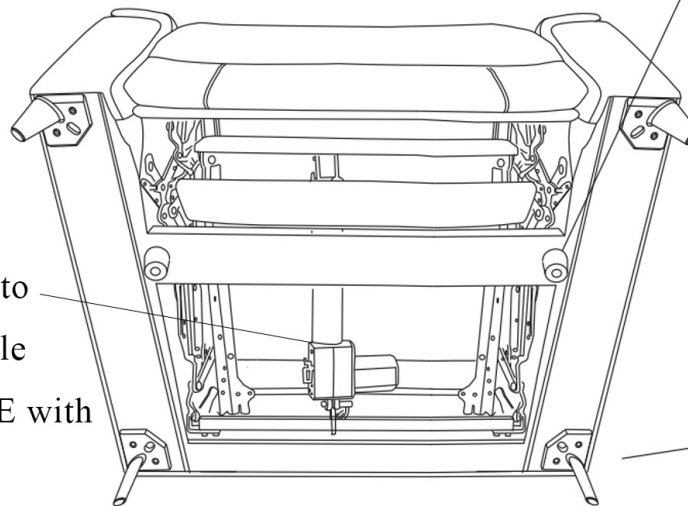


LIVING SPACES

1

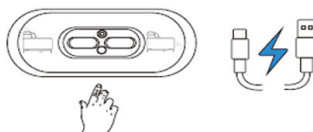
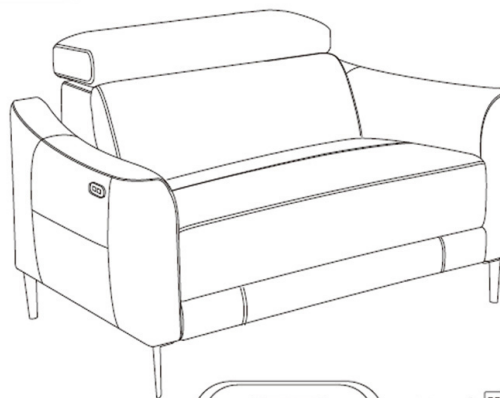
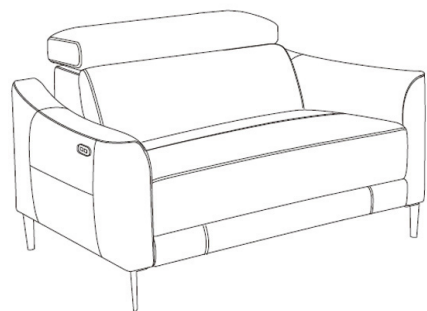
A	KM.5012-1(2A)E-A Metal leg	X 4
B	KM.5012-1(2A)E-B Hexagon socket screw	X 4
C	KM.5012-1(2A)E-C wood screw	X 8
D	KM.5012-1(2A)E-D Allen key	X 1
E	KM.5012-1(2A)E-E Plastic leg	X 2

legs are tied to
bottom middle
frame by EPE with
a red string



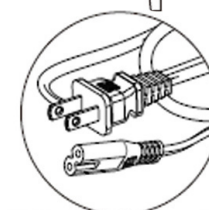
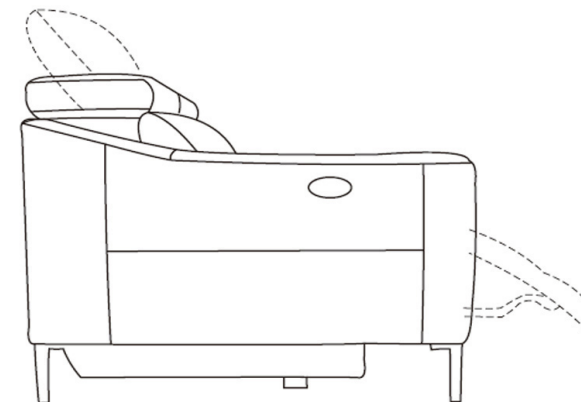
261593
LORENZO POWER RECLINER

2



switch with USB charger

power reclining



plug in US standard