



LIVING SPACES TWIN BUNKBED

ASSEMBLY INSTRUCTIONS LS-MOR70 LS-MOR71

Important: Be sure to check all packing material carefully for small parts which may come loose inside carton during shipment. Separate, identify and count all parts and metal hardware.

Compare with parts list and hardware illustrations to be sure all parts are present. If any part(s) are missing or damaged, contact your dealer's customer service department. For efficient and fast service, please indicate the model number and the parts needed.

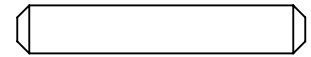
Note: Assembly will require 2 People.

TOOLS REQUIRED
(Not included)
Phillips Screwdriver

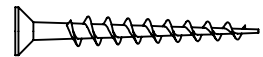


30 min

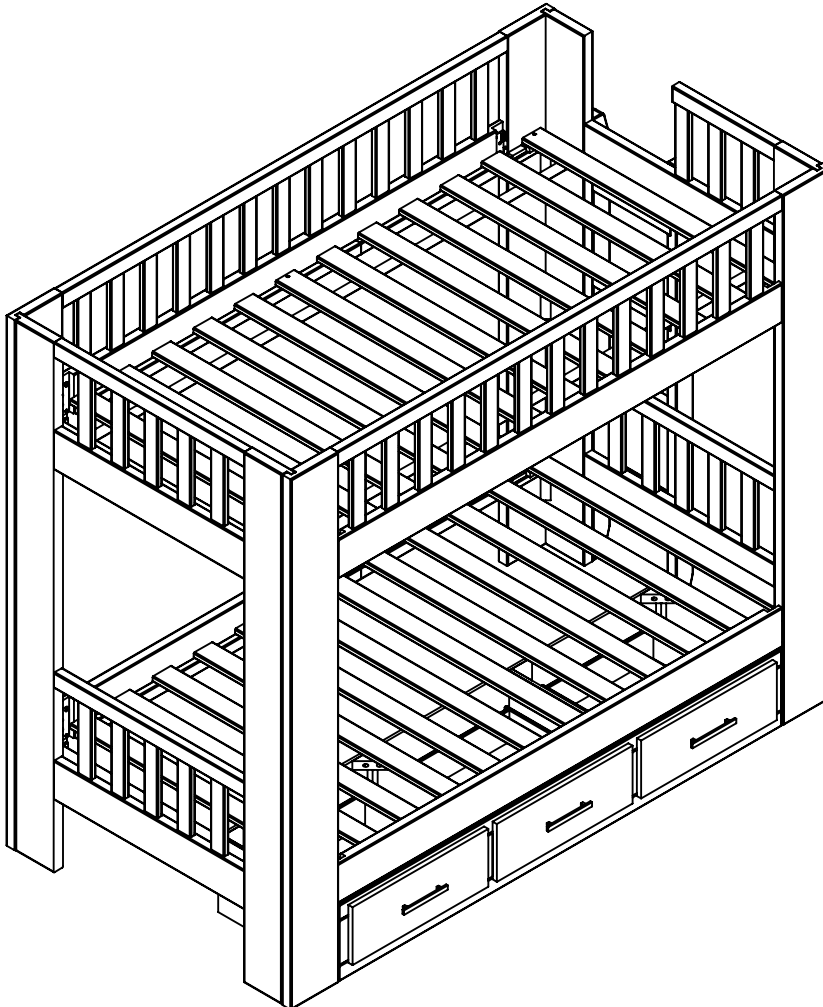
HARDWARE BAG CONTENTS



HB-1420 ϕ 1/4" x
1 1/2" METAL PIN (4)



HCPF-080
SCREW FLAT HEAD
#6x 1 1/4" (12)

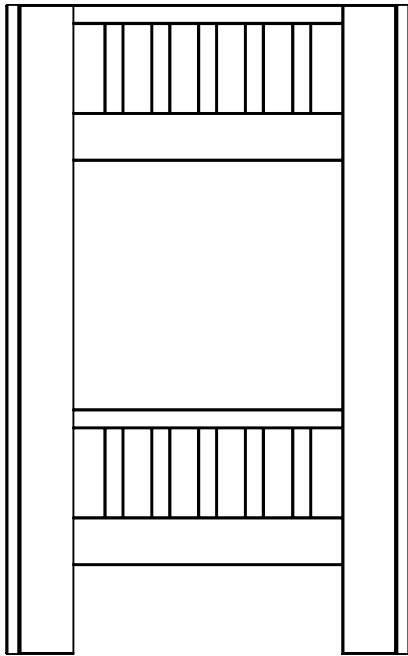




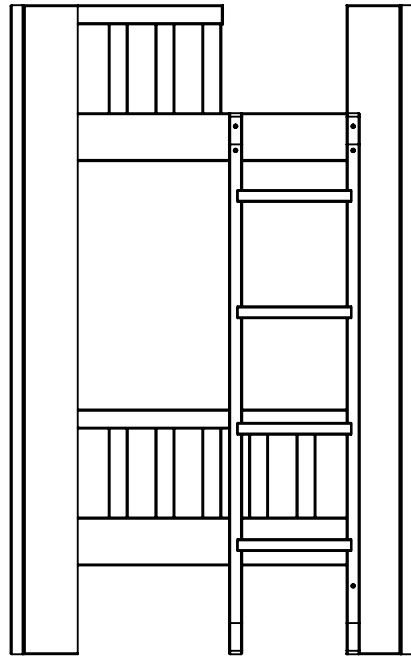
LIVING SPACES
TWIN BUNKBED

PARTS LIST
LS-MOR70
LS-MOR71

BOX: HOM70

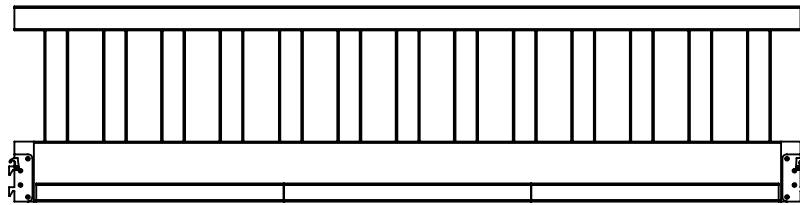


HEADBOARD

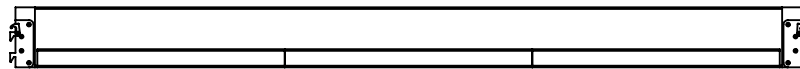


FOOTBOARD

BOX:LS-HOM71

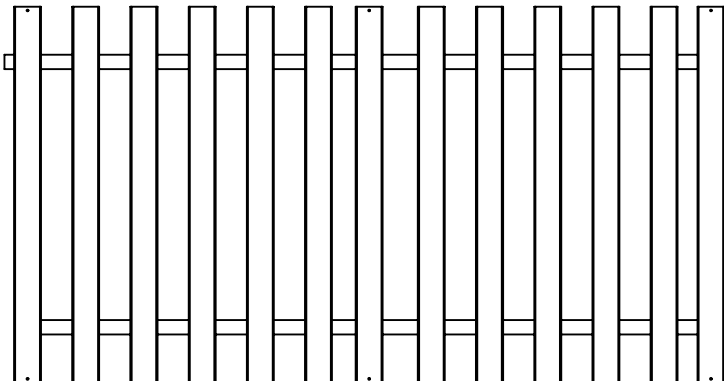


GUARDRAIL



LOWER RAIL

BOX: SB-1384B



SLAT ROLLS X 2

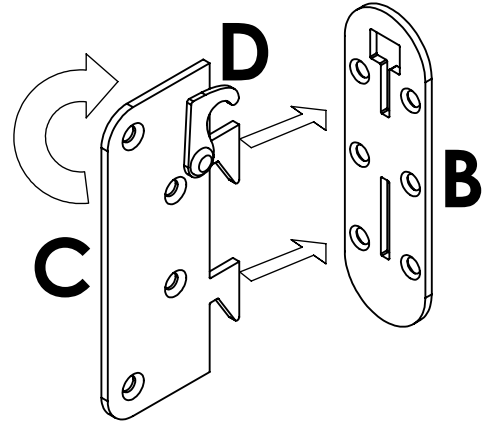
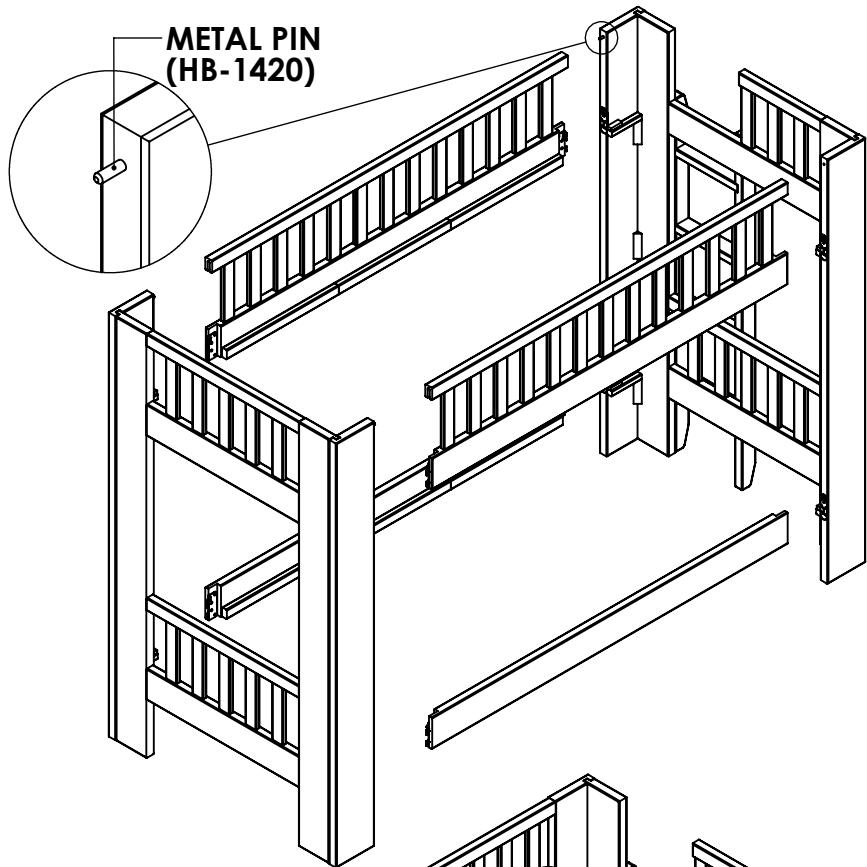


LIVING SPACES TWIN BUNK BED

ASSEMBLY INSTRUCTIONS LS-MOR70 LS-MOR71

Step 1

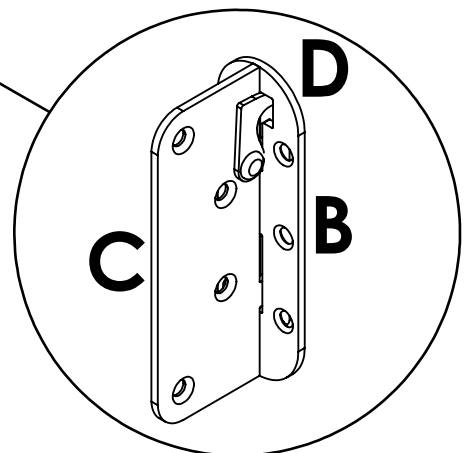
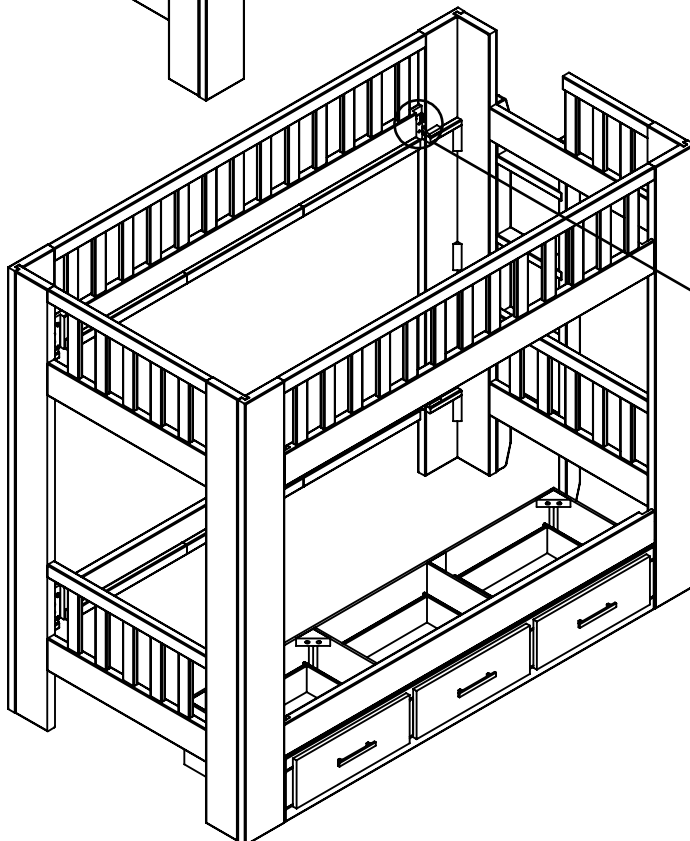
Assemble **LOWER RAILS** to the **HEADBOARD** and **FOOTBOARD** by inserting the male hook plate rails (C) into the female plate (B) of the headboard and footboard, repeat the same process for the guard rails. **Be sure to insert all 8 safety hook locks (D)** into the plate as shown in diagram below. (Place metal pins **HB-1420** in each hole on the top end of Headboard and Footboard)



Insert the male hook plates (C) into headboard/footboard female plates (B). (As shown above)

IMPORTANT

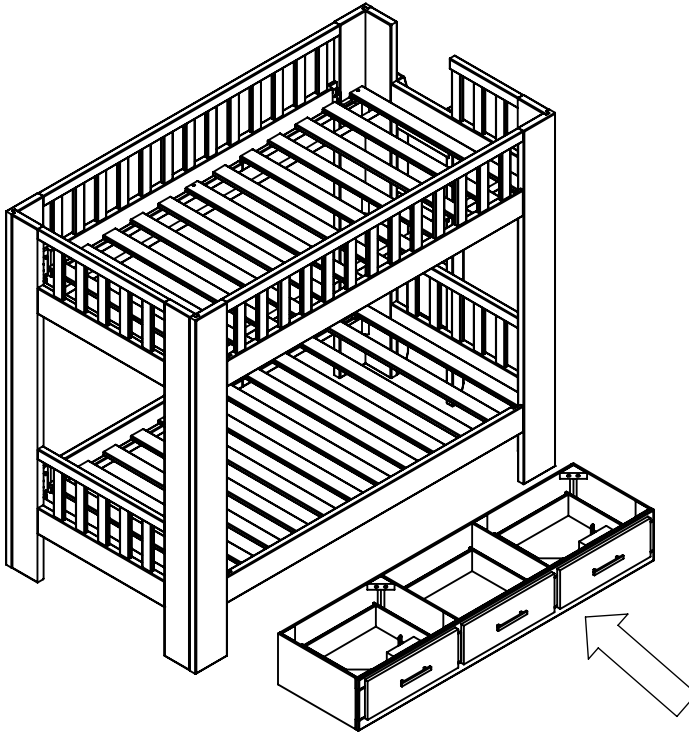
Swivel and insert the 8 safety hook locks (D) into all 12 (B) plates. (Shown below)



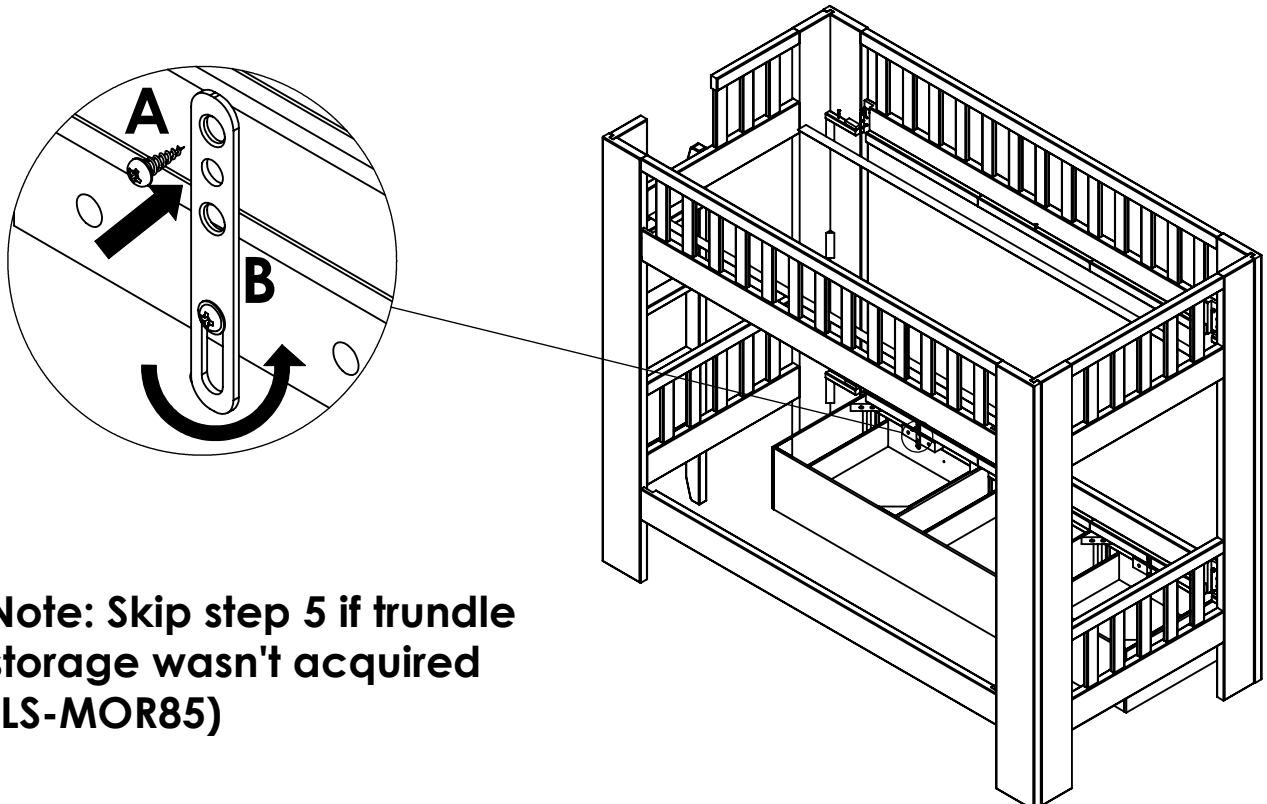


Step 2

Place the drawer storage under the bunk bed as shown in diagram.



Use two **metal brackets** (B) and screws **HCPF-073**(A) to attach the drawer storage behind the bed rails as shown in diagram.
(HCPF-073 screws located in LS-MOR85 hardware bag)

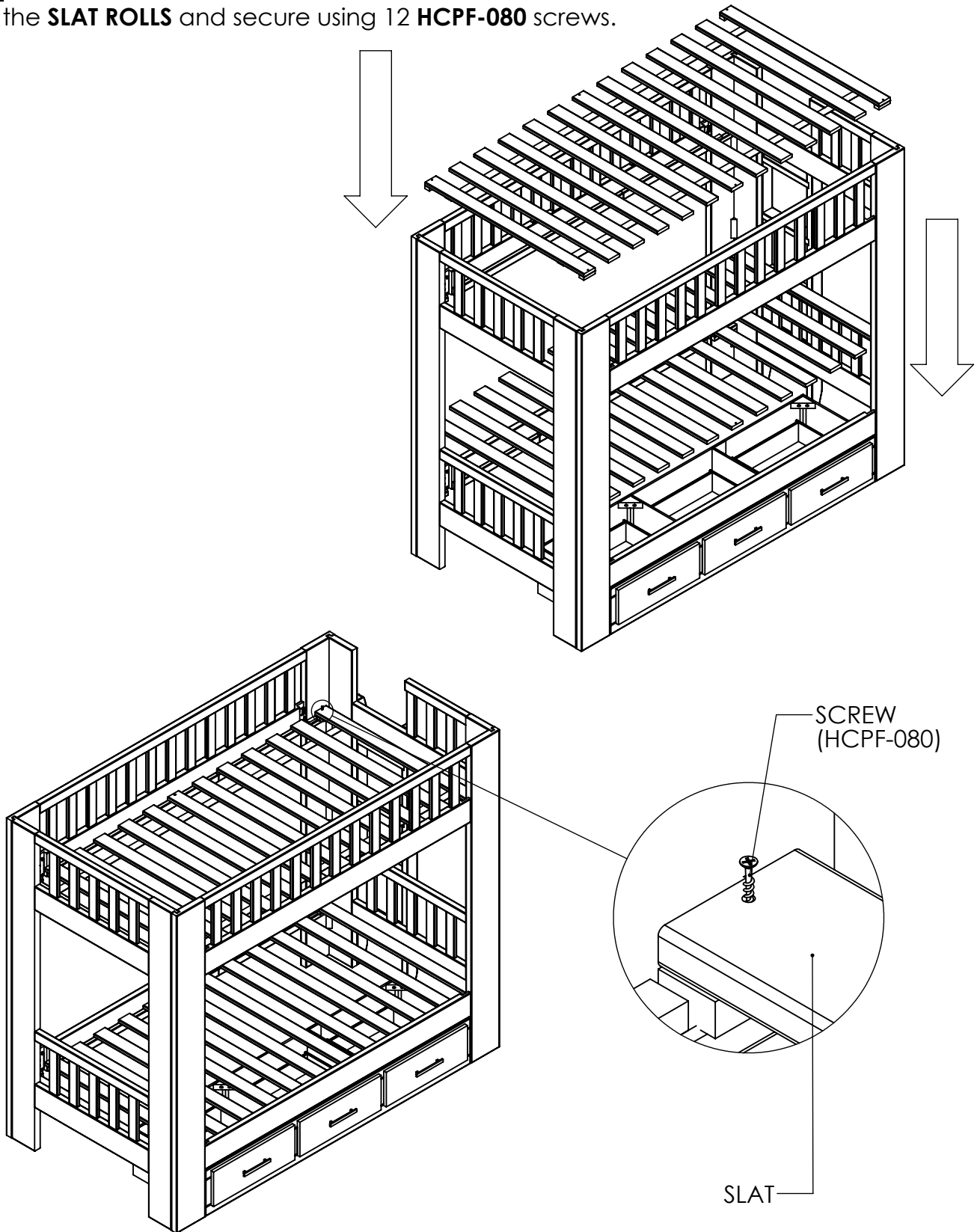


Note: Skip step 5 if trundle storage wasn't acquired (LS-MOR85)



Step 3

Install the **SLAT ROLLS** and secure using 12 **HCPF-080** screws.



This Bunk Bed complies with the voluntary Bunk Bed Safety Guidelines published by the American Furniture Manufacturers Association and F1427 and 16CFR-1513 by American Standard and Testing Association. To ensure the safe use of our product observe the following safety precautions.

SAFETY

1. - Use only mattress that are 37 1/2" to 38 1/2" in width and 74" to 75" in length.

2. - Surface of mattress must be at least 5" below the upper edge of guardrails.

3. - Always use the recommended size mattress, to help prevent the likelihood of entrapment or falls.

4. - Follow the information on the warning appearing on the upper bunk bed structure and on the carton. Do not remove warning label from bed.

5. - Always use guardrails on both long sides of the upper bunk. If the bunk bed will be placed next to a wall, the guardrail that runs the full length of the bed should be placed against the wall, to prevent entrapment between the bed and the wall.

6. - Do not allow children under 6 years of age to use the upper bunk.

7. - Prohibit more than one person on upper bunk.

8. - Periodically check and ensure that the guardrail and other components are in proper position, free from damage, and that all connectors are tight.

9. - Do not allow horseplay on or under the bed and prohibit jumping on the bed.

10. - Maximum total weight is not to exceed 150 lbs on the upper and lower beds.

11. - Do not use substitute parts. Replacement parts, including additional guardrails, may be obtained from our customer service department.

12. - Use of a Night Light may provide added safety precaution for a child using the upper bunk.

13. - The use of water or sleep flotation mattress is prohibited.

14. - Always use the Stairs for Entering and Leaving the Upper Bunk.

15. - Keep these Instructions for Future Reference.

DO NOT REMOVE WARNING LABEL FROM BUNK BED.

STRANGULATION HAZARD

Never attach or hang items to any part of the bunk bed that are not designed for use with the bed, for example, but not limited to, hooks, belts and jump ropes.