



LIVING SPACES


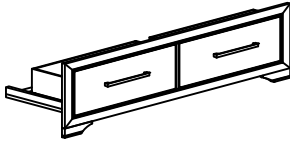
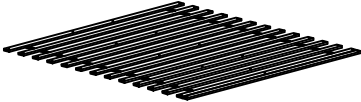
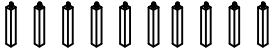


ASSEMBLY INSTRUCTIONS

**ITEM 305-P236183 / 305-P236174 / 305-P236188
CK/EK STORAGE FOOTBOARD & SLATS ROLL/CK & QN/EK
STORAGE SIDE RAILS**






Thank you for purchasing this quality product. Be sure to check all packing material carefully for small hardware which may have come loose inside the carton during shipment. Identify and count all hardware and compare with the hardware list below.

When placing furniture on non-carpeted flooring, HMI recommends the use of floor protection such as an area rug or furniture pads. Area rugs and padding not included with purchase.

PARTS LIST

No.	Description	Sketch	Quantity
1	Headboard Panel		1
2	Footboard Panel		1
3	Slats		1 Rolls
4	Support Legs		10
5	Side Rails		2
6	Cal King Side Rails		2

HARDWARE LIST

No.	Description	Size	Sketch	Quantity
A	JCBC Bolt	M8 x 25MM		8
B	Spring Washer	M8		8
C	Flat Washer	M8		8
D	Allen Key	M5 x 65MM		1
E	P/H Rattan Screw	8 x 1 1/4"		26

TOOLS REQUIRED (NOT PROVIDED)



PHILLIPS HEAD SCREWDRIVER

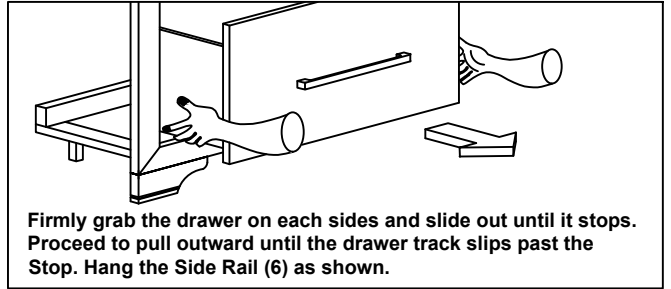
ASSEMBLY INSTRUCTIONS

KING BED ASSEMBLY

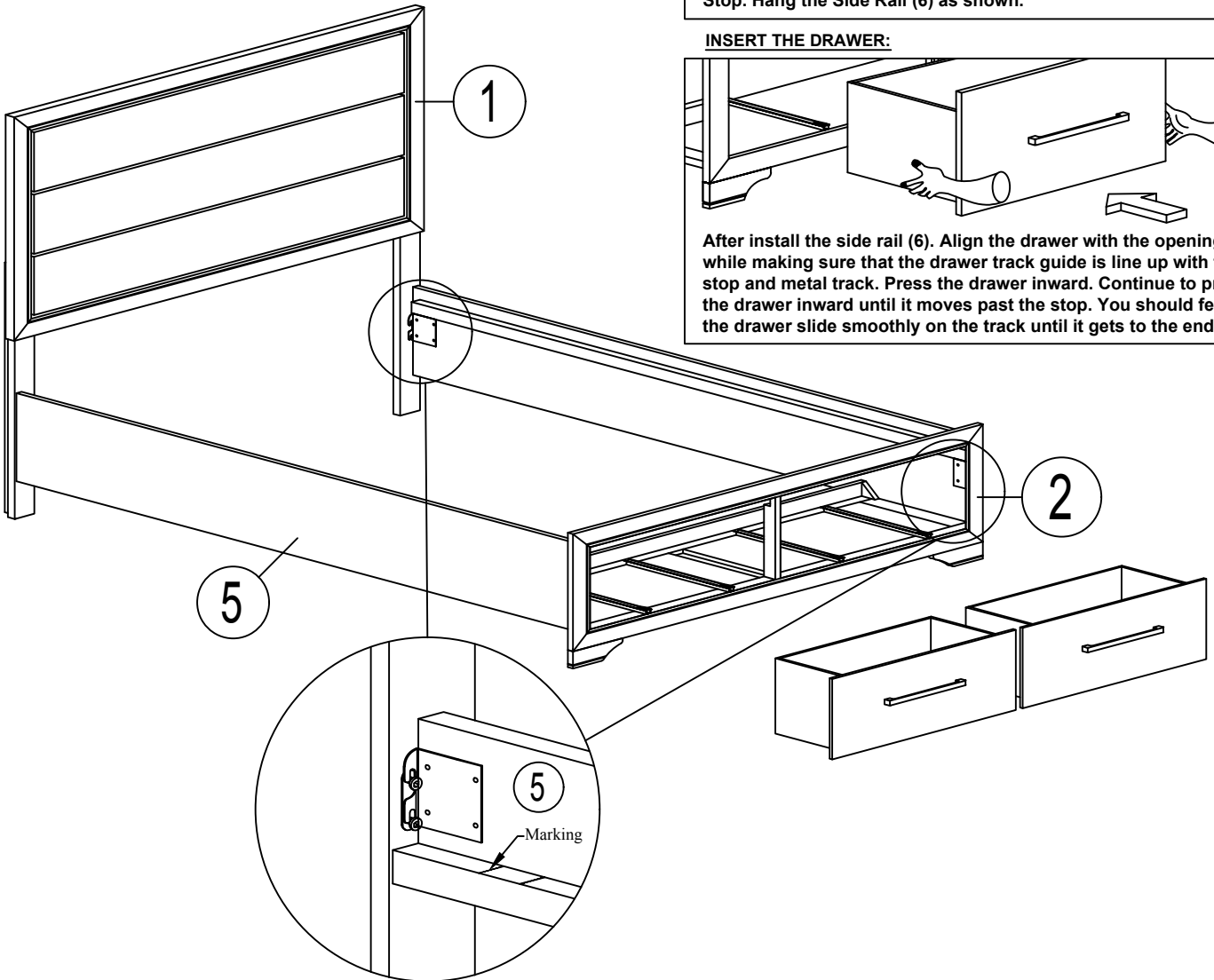
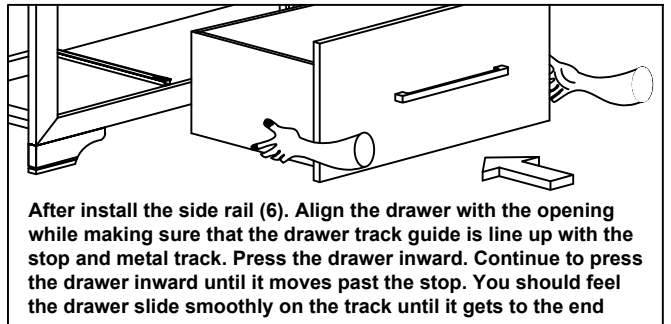
STEP 1

Hang Side Rails as shown.

REMOVE THE DRAWER TO ASSEMBLE:

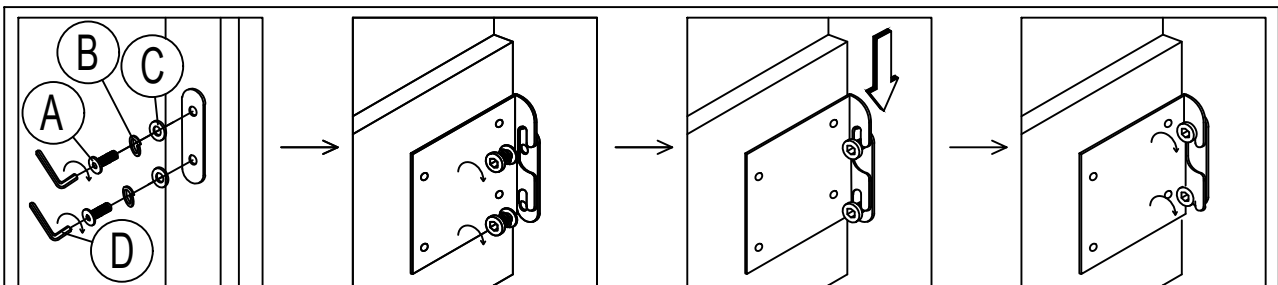


INSERT THE DRAWER:



Detail-A

COMPLETED ASSEMBLY



Detail-A

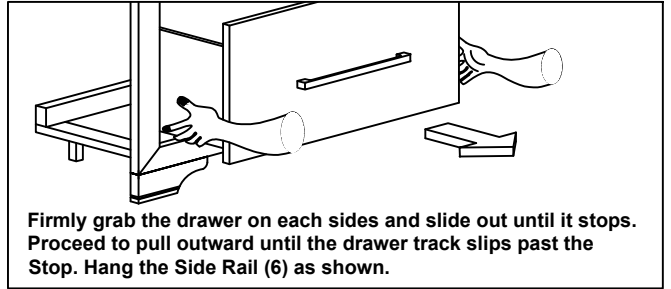
ASSEMBLY INSTRUCTIONS

CAL KING BED ASSEMBLY

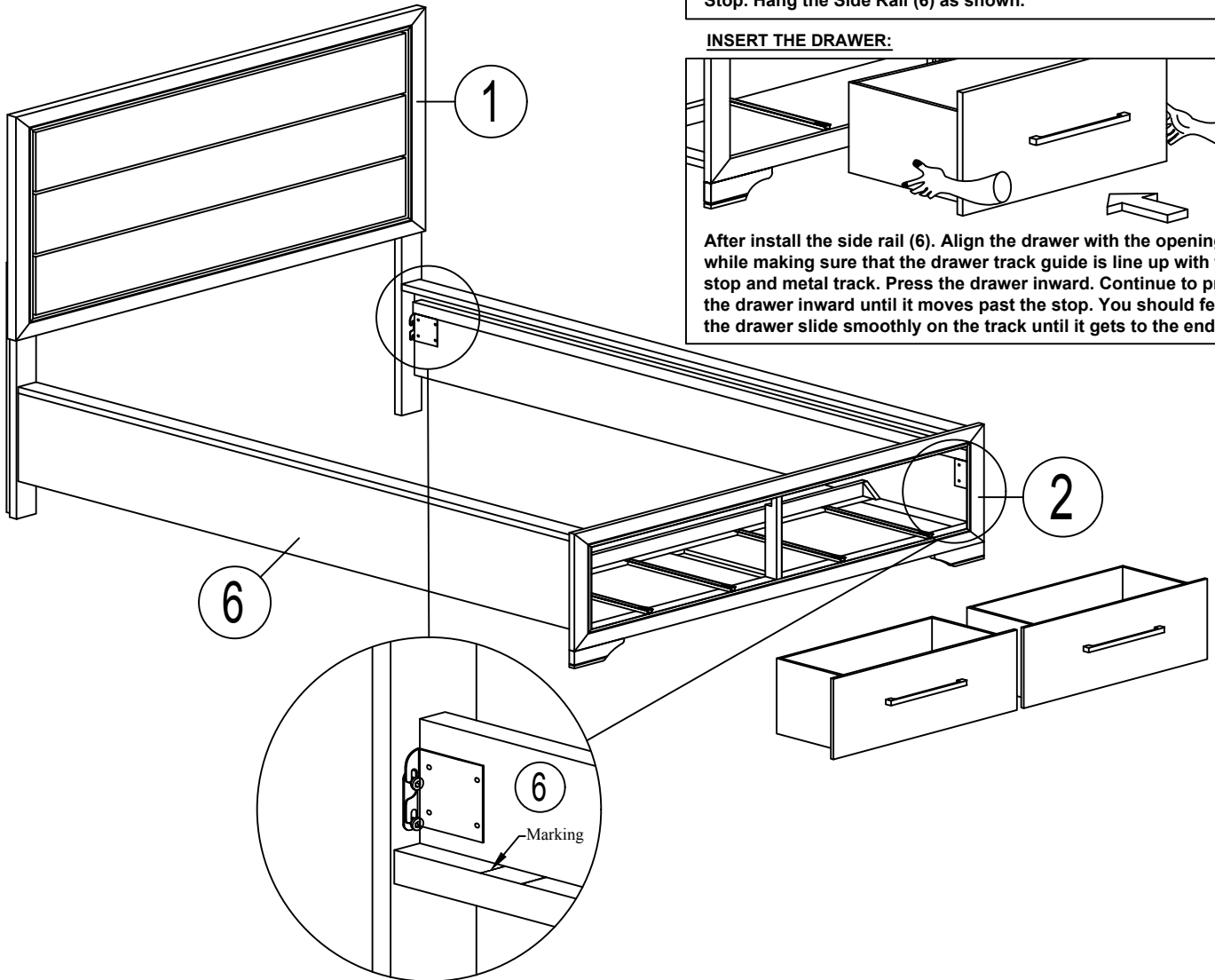
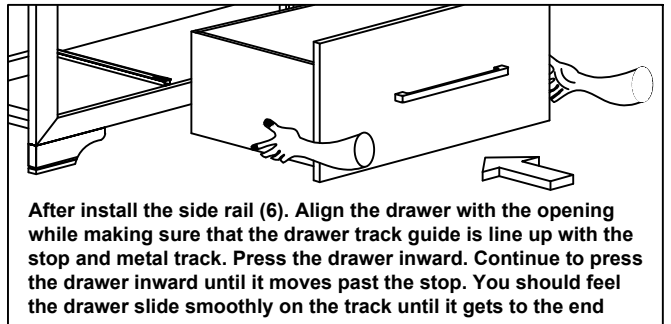
STEP 1

Hang Side Rails as shown.

REMOVE THE DRAWER TO ASSEMBLE:

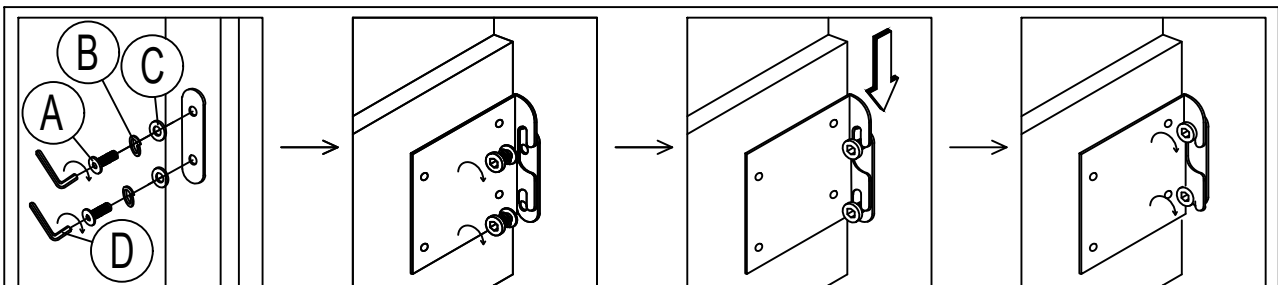


INSERT THE DRAWER:



Detail-A

COMPLETED ASSEMBLY

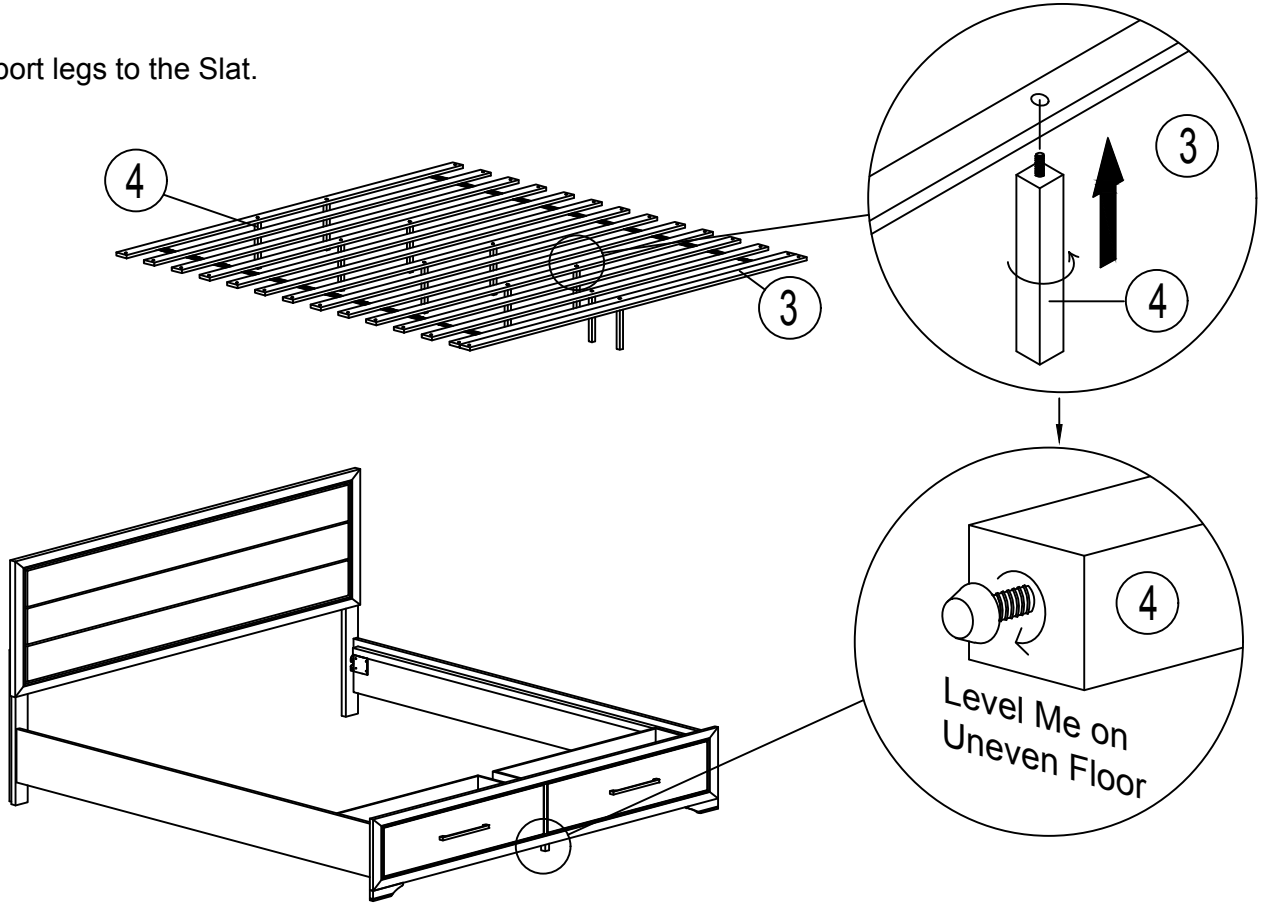


Detail-A

ASSEMBLY INSTRUCTIONS

STEP 2

Fasten Support legs to the Slat.



STEP 3

Fix Slats as shown.

