

LIVING SPACES


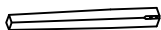
ASSEMBLY INSTRUCTIONS

ITEM 305-P260244 TABLE

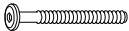



Thank you for purchasing this quality product. Be sure to check all packing material carefully for small hardware which may have come loose inside the carton during shipment. Identify and count all hardware and compare with the hardware list below.

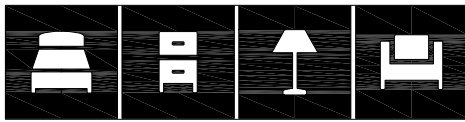
When placing furniture on non-carpeted flooring, HMI recommends the use of floor protection such as an area rug or furniture pads. Area rugs and padding not included with purchase.

PARTS LIST

No.	Description	Sketch	Quantity
1	Table Top		1
2	Leg		4

HARDWARE LIST

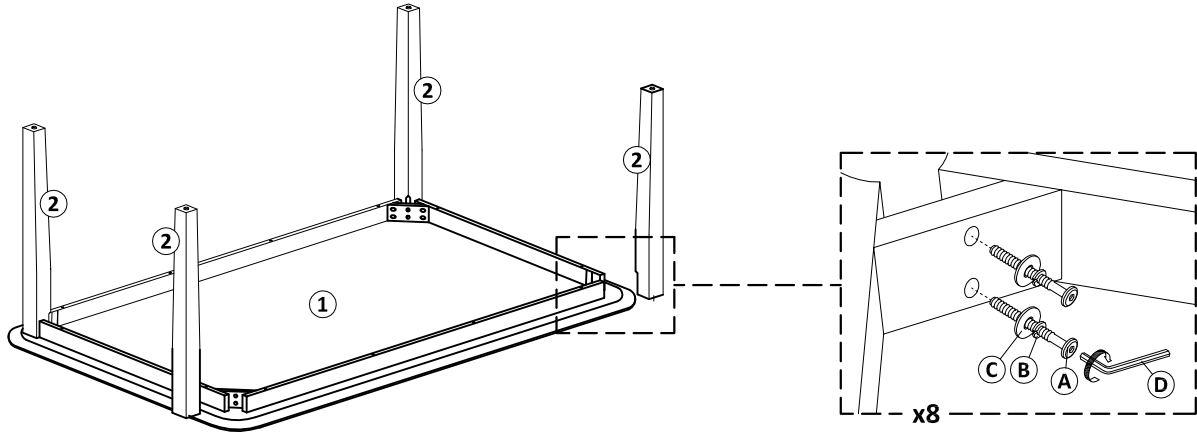
No.	Description	Sketch	Quantity
A	JCBB M8 x 70mm		8
B	Spring Washer M8 x 14 ø		8
C	Flat Washer M8 x 22 ø		8
D	Allen Key M5 x 65mm		1



LIVING SPACES

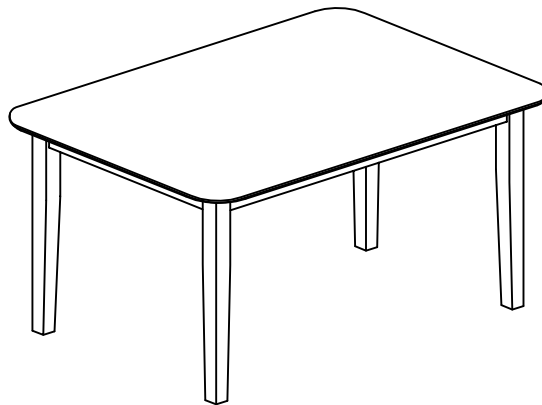
ASSEMBLY INSTRUCTIONS

STEP 1



Attach Leg(2) to Table Top (1).
Do not fully tighten on this step.

COMPLETED



Turn the table upright and place on level surface.
Adjust the legs so that table is level and does not wobble.
Tighten all the bolts and take care do not over tighten