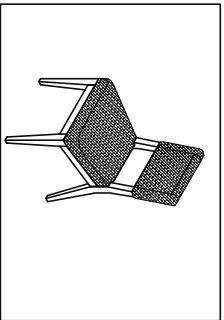


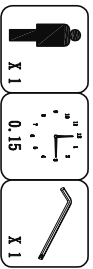


LIVING SPACES

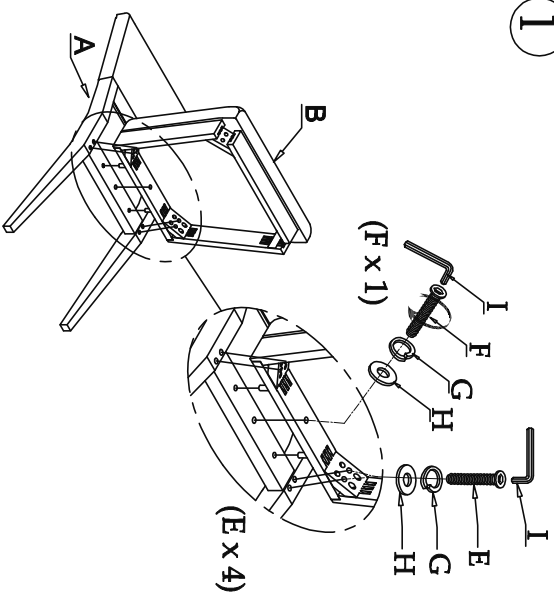
A	6106		x1
B	6112		x1
C	3004		x2
D	7002 Parts E - 1		x1
E	5/16"-18 x 3" Allen Head Bolt		x4
F	5/16"-18 x 2" Allen Head Bolt		x5
G	5/16" Spring Washer		x9
H	5/16" x 19 x 2mm Flat Washer		x9
I	5mm Allen Wrench		x1



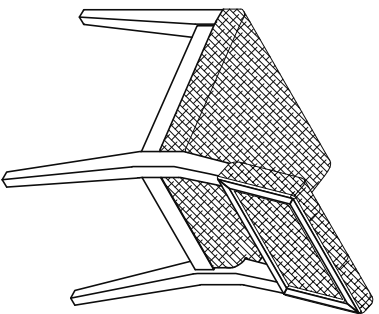
#22057
Pierce Dining Room
Uph Side Chair



1



3



2

