

HAYES OUTDOOR BANQUETTE LAF SOFA 17C212A-W-LS-3D Assembly Instruction

Parts List:

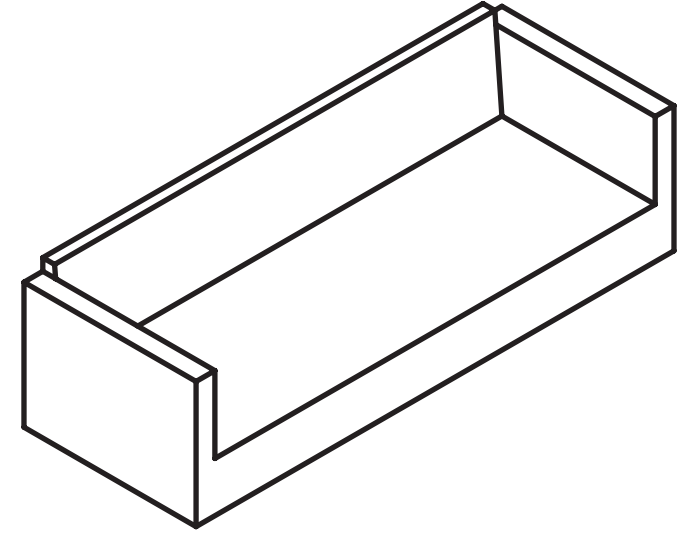
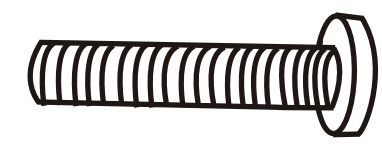
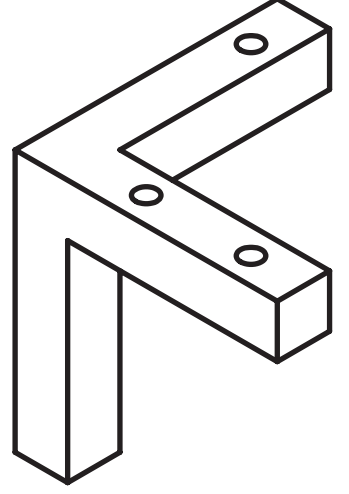

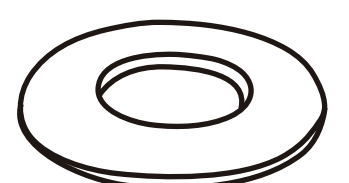
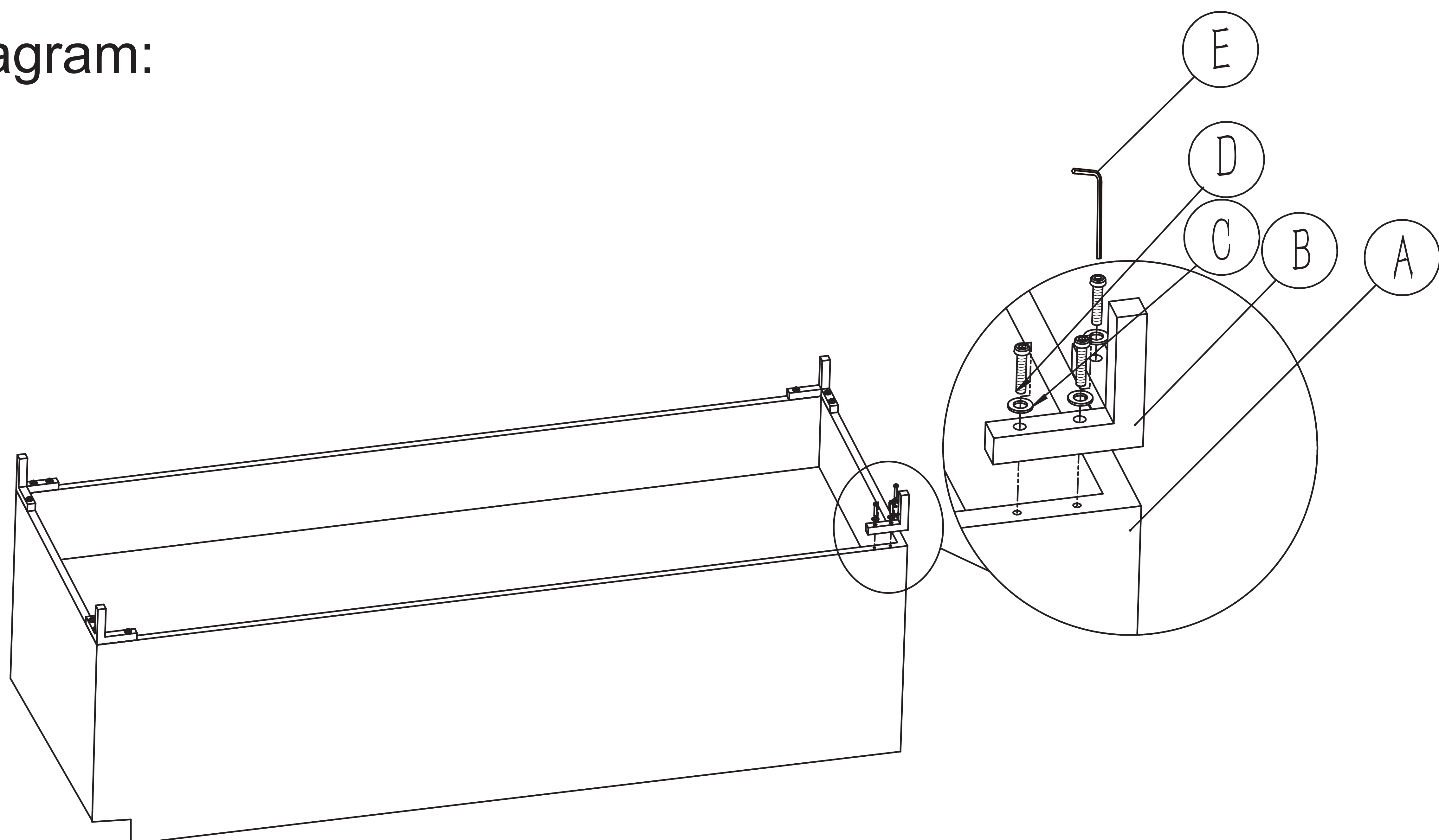
REF	PART NAME	PART IMAGE	QTY	REF	PART NAME	PART IMAGE	QTY
A	SEAT		1	D	BOLT (M6*35L)		12
B	LEG		4	E	ALLEN WRENCH		1
C	WASHER		12				

Diagram:



Assembly Steps:

Step 1: Remove protective wrapping and lay all parts on floor. Make sure all parts packed in Carton against attached parts list to make sure all parts are presented.

Step 2: Place a protective soft Material on floor. Lay seat (A) upside down on floor, the bottom is facing up.

Step 3: Attach Leg (B) to the bottom as shown in Diagram, using Bolt (D) and Washer (C).

Step 4: After all bolts are aligned properly before tightening. With a second person's Assistance carefully turn the Sofa over onto its legs. Make sure legs rest on a flat surface.

NOTE: IT IS USER'S RESPONSIBILITY TO MAKE SURE ALL PARTS ARE ASSEMBLED AND TIGHTENED PROPERLY AND SECURELY.

HAYES OUTDOOR BANQUETTE RAF SOFA

17C212A-W-RS-3D-KD

Assembly Instruction

Parts List:

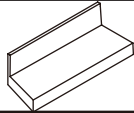

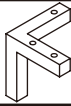




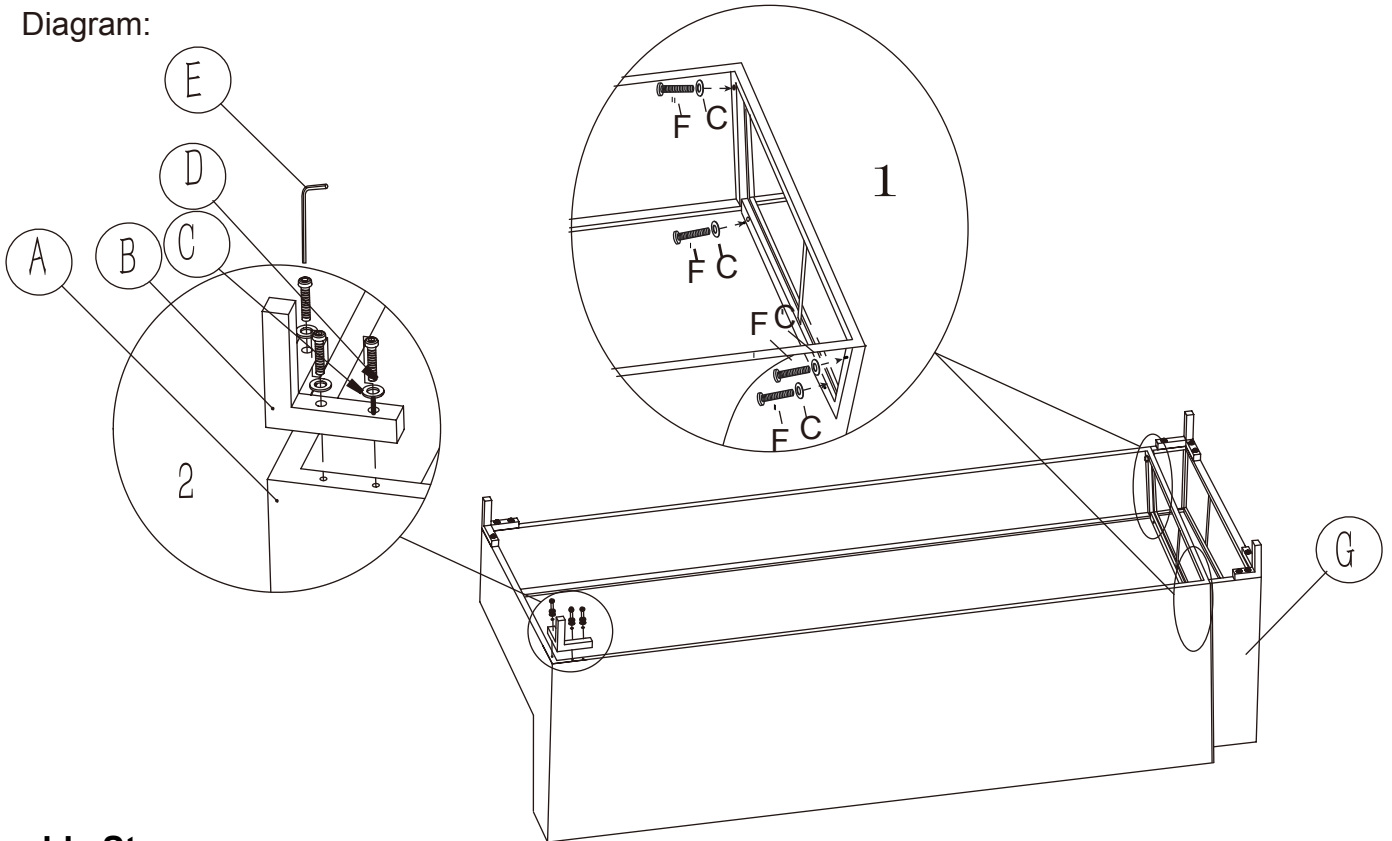
REF	PART NAME	PART IMAGE	QTY	REF	PART NAME	PART IMAGE	QTY
A	SEAT		1	E	ALLEN WRENCH		1
B	LEG		2	F	BOLT (M6*45L)		4
C	WASHER		10	G	ARMREST		1
D	BOLT (M6*35L)		6				

Diagram:



Assembly Steps:

Step 1: Remove protective wrapping and lay all parts on floor. Identify all parts packed in Carton against attached parts list to make sure all parts are presented.

Step 2: Place a protective soft Material on floor. Lay seat (A) and armrest (G) upside down on floor, the bottom is facing up.

Step 3: Put seat (A) and armrest (G) together as shown 1 in Diagram, using Bolt (F) and Washer (C).

Step 4: Attach Leg (B) to the bottom as shown 2 in Diagram, using Bolt (D) and Washer (C).

Step 5: After all bolts are aligned properly before tightening. With a second person's Assistance carefully turn the Sofa over onto its legs. Make sure legs rest on a flat surface.

NOTE: IT IS USER'S RESPONSIBILITY TO MAKE SURE ALL PARTS ARE ASSEMBLED AND TIGHTENED PROPERLY AND SECURELY.