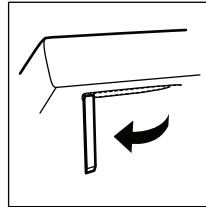
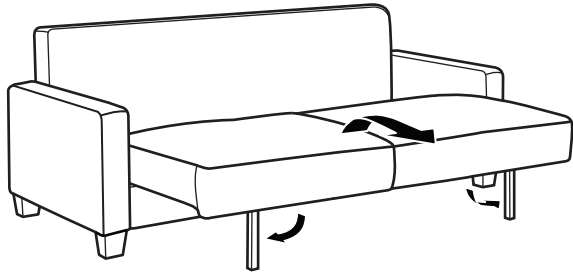


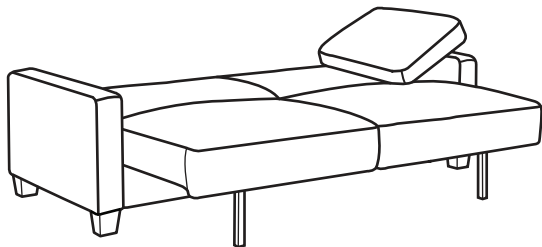
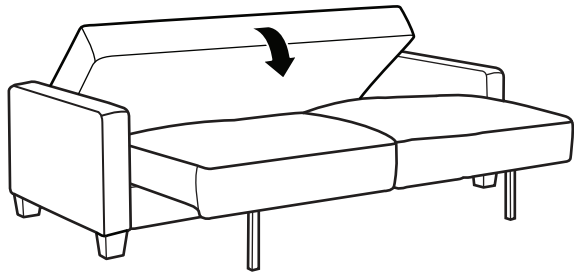
OPERATING YOUR UNIT / FONCTIONNEMENT DU MEUBLE

CONVERTING TO SOFA / BED

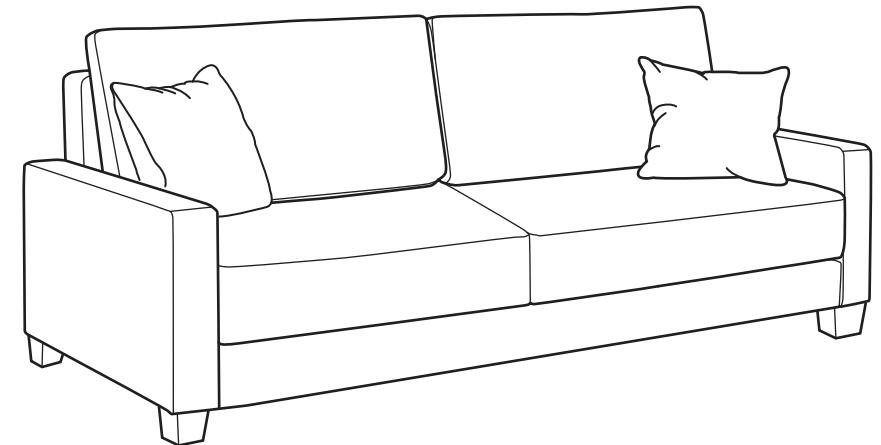
1. Lift seat and pull out until the rollers reach the end of the track.
2. Pull out support legs beneath the seat cushion by unzipping both components underneath base.



3. Carefully drop down backrest to go into a flat bed position.
Use pillow cushions as headrests. Reverse steps to return to sofa position.



4. Reverse steps to return to sofa position.



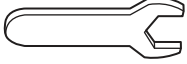





PASCAL DROP BACK SOFA BED ASSEMBLY INSTRUCTIONS

IMPORTANT, RETAIN FOR FUTURE REFERENCE: READ CAREFULLY

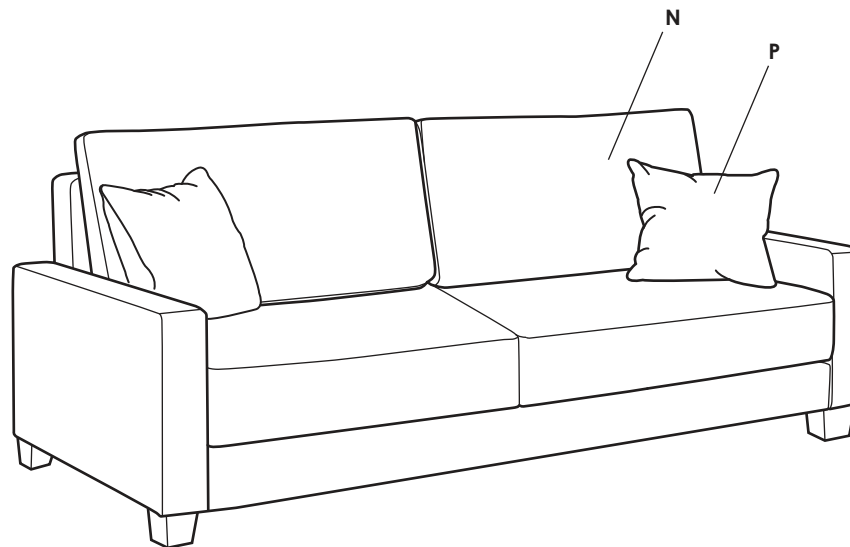
PARTS AND HARDWARE

IMPORTANT

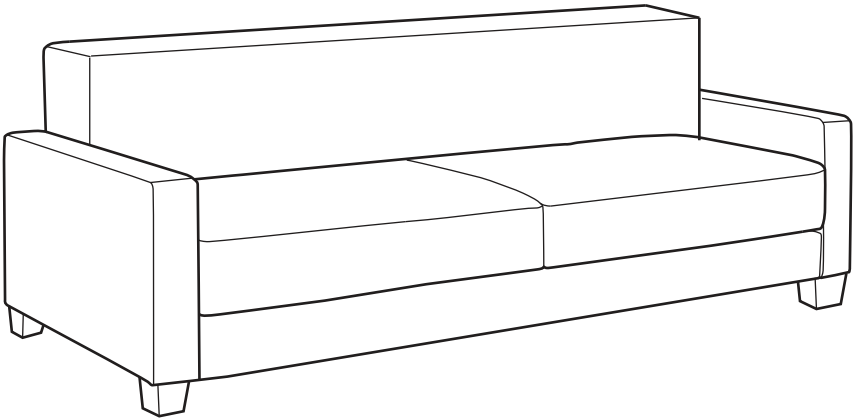
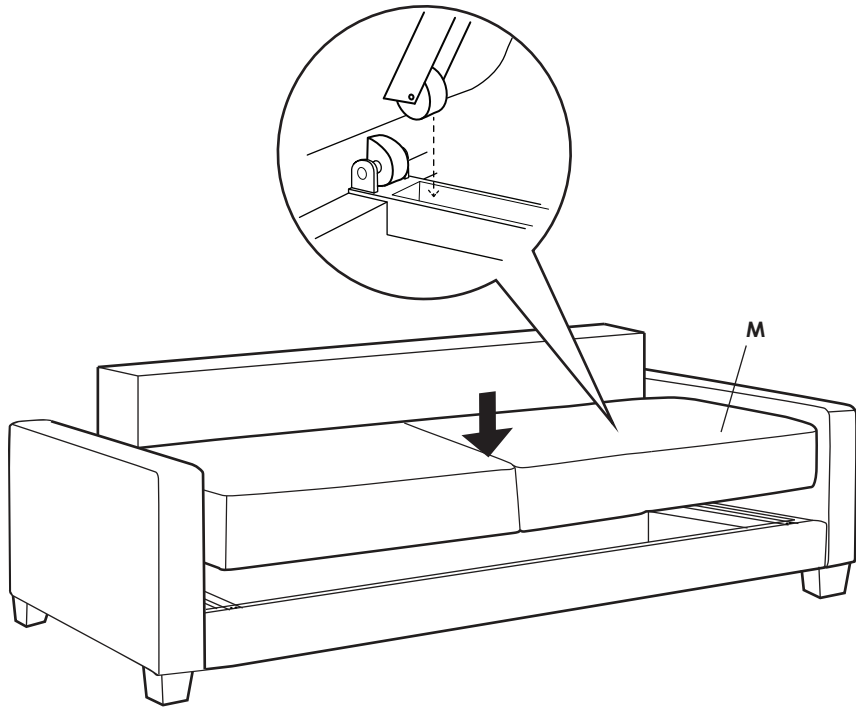
- Avoid using sharp objects to open packaging as you may accidentally damage the product.
- Please read complete instruction sheet prior to assembly.
- Minimum 2 adults required to safely perform assembly process.

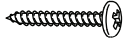

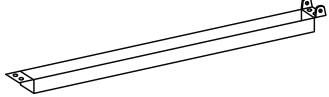
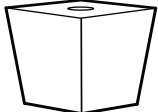
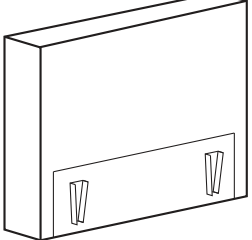
PART #	PART SKU#	PART DESCRIPTION	QUANTITY
A	MS-M13	 13mm	1
B	AK-M5	 M5	1
C	AK-M4	 M4	1
D	LNT-M8	 M8	2
E	FW-M8-19	 M8	8
F	BLT-M8-65	 M8 x 65mm	6

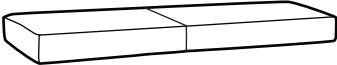
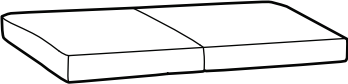

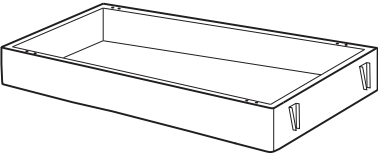

7



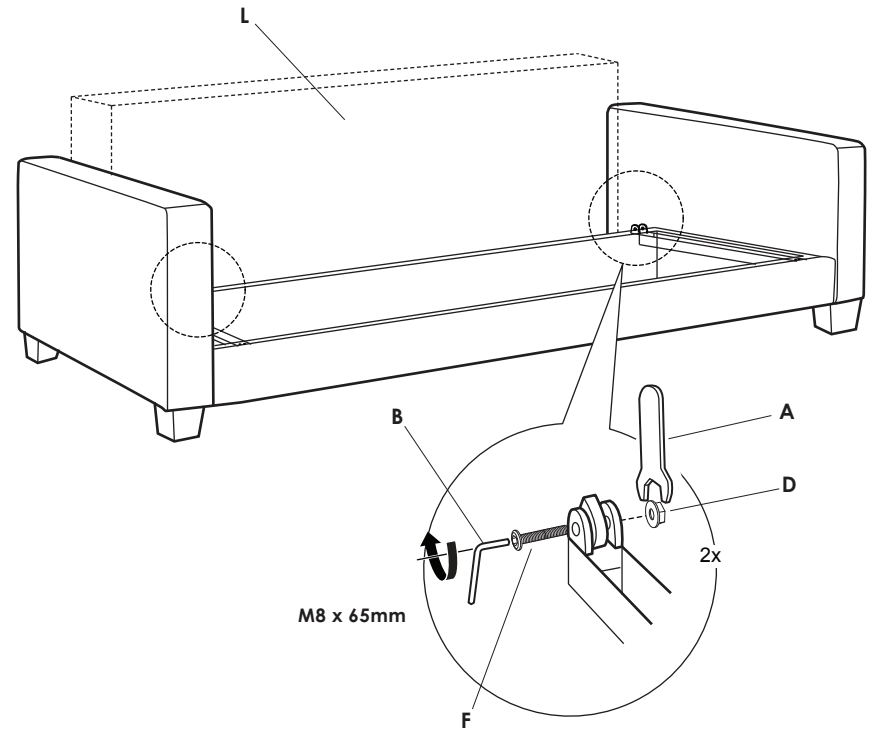
6



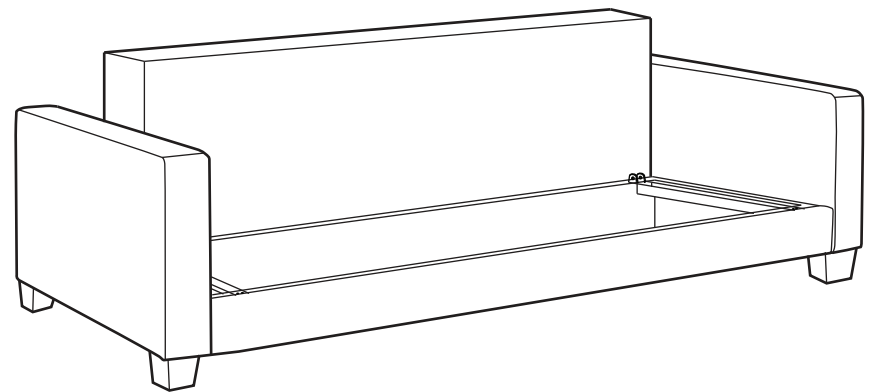
PART #	PART SKU#	PART DESCRIPTION	QUANTITY
G	WSC-RN-B	 30mm	8
H	BLT-M6-25	 M6 x 10mm	4
I	RN-1045		2
J	WL-1046		4
K	N/A		2

PART #	PART SKU#	PART DESCRIPTION	QUANTITY
L	N/A		1
M	N/A		1
N	N/A		2
O	N/A		1
P	N/A		2

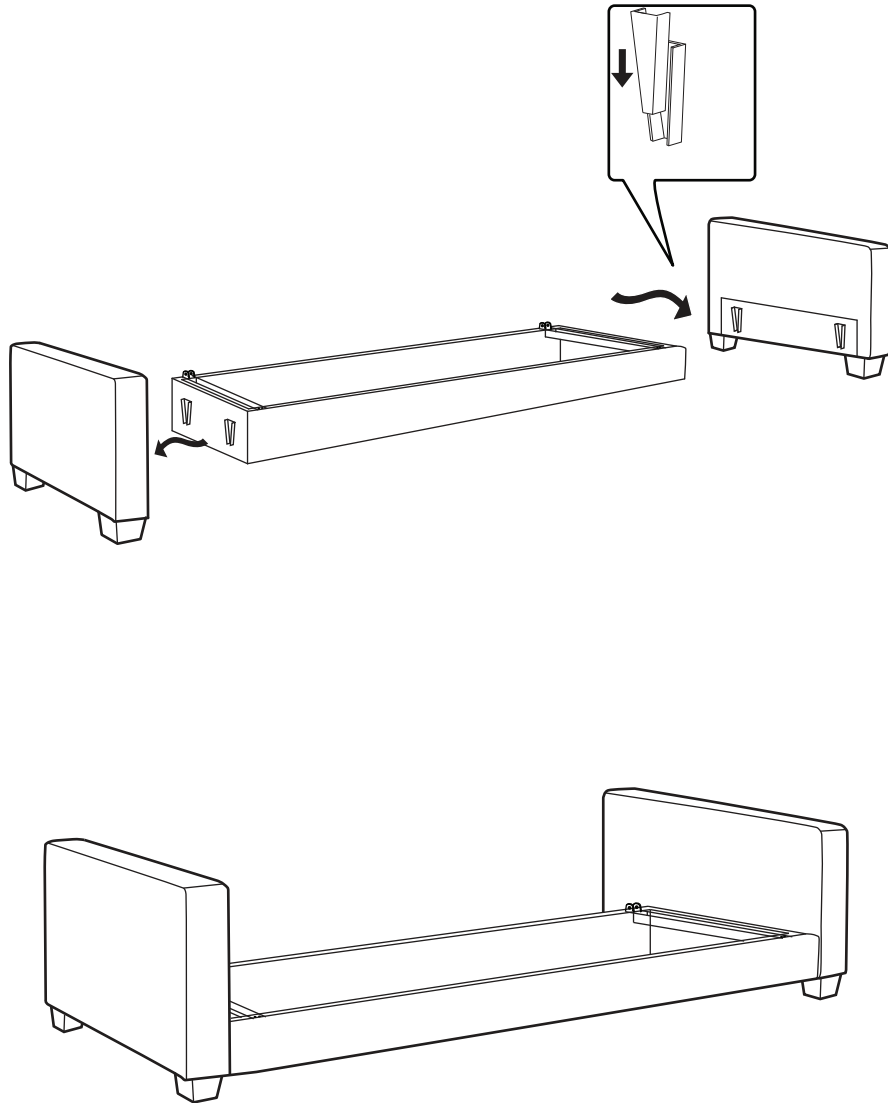
4



5



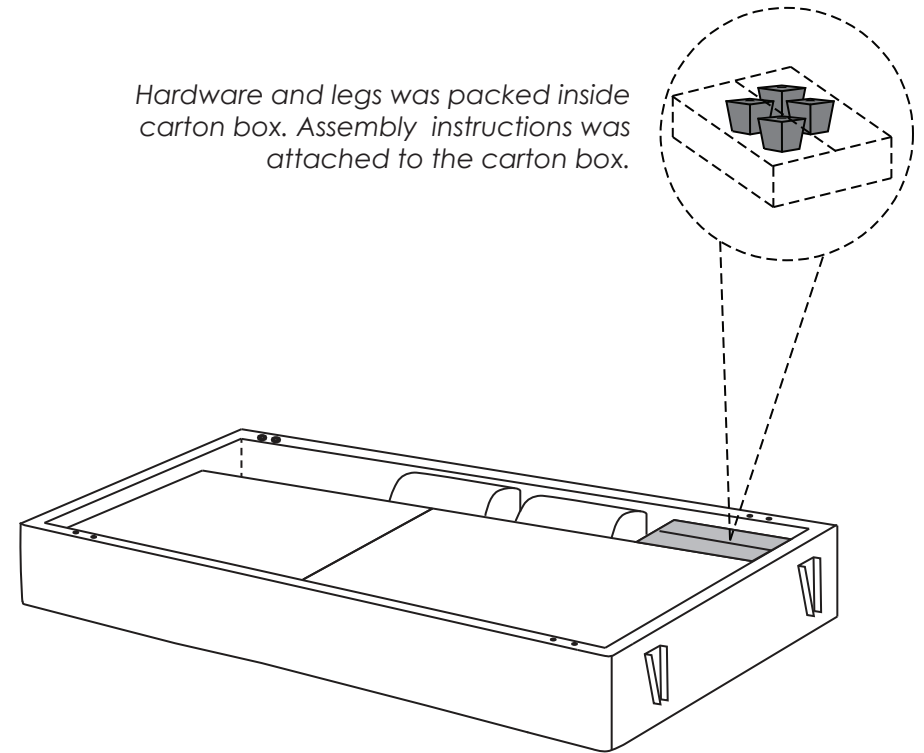
3



How to Find Your Furniture Legs

Cómo encontrar las patas de su mueble

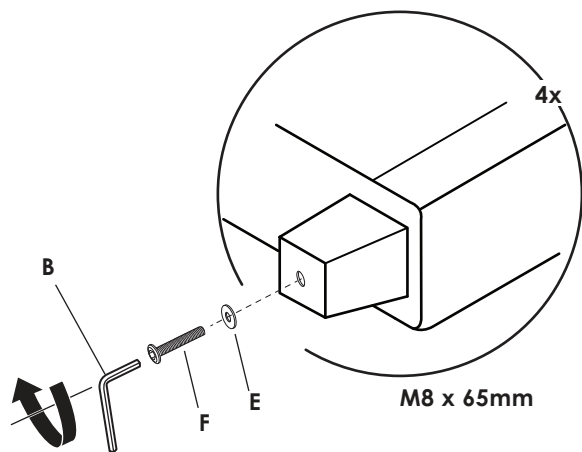
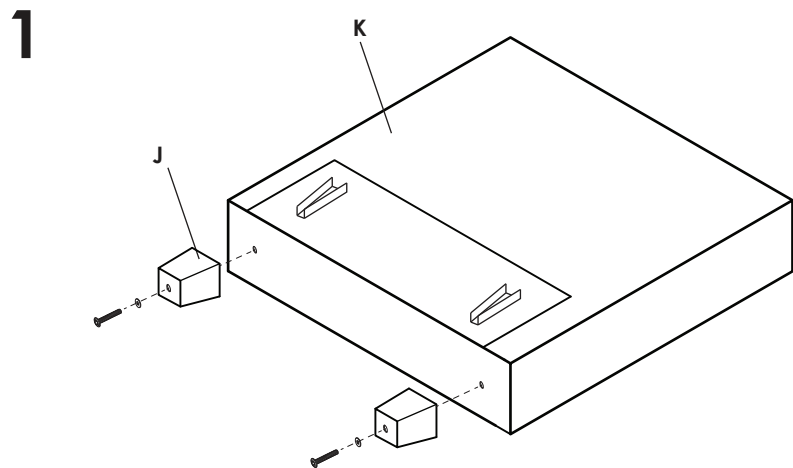
Hardware and legs was packed inside carton box. Assembly instructions was attached to the carton box.



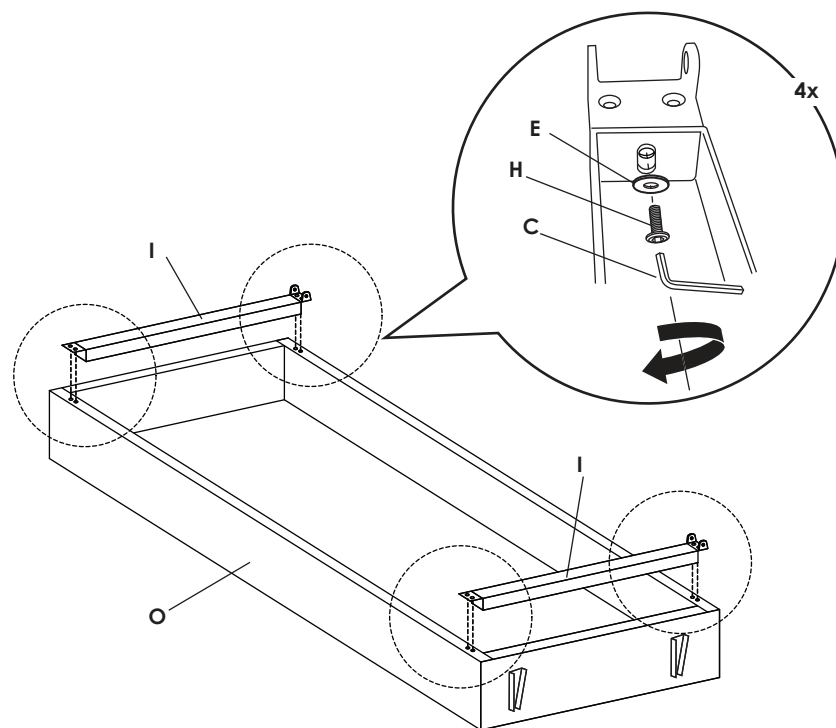
Note: Storage Body (Box 2 of 2)

ASSEMBLY INSTRUCTIONS

 NOTE: UNIT SHOULD BE ASSEMBLED BY TWO OR MORE PEOPLE.
DO NOT TIGHTEN ANY BOLTS UNTIL ALL BOLTS HAVE BEEN STARTED!



2



Phillips head screwdriver for assembly
(Not Included)

