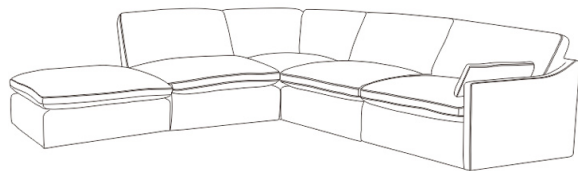




LIVING SPACES

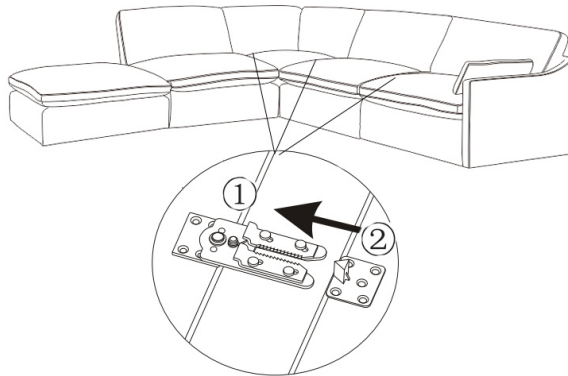
A	KF.2637-1.5(LA)	
B	KF.2637-1.5(RA)	
C	KF.2637-1.5(OA)	
D	KF.2637-C	
E	KF.2637-O	

259472/259473/259474/259476/259477
MARCELLO SECTIONAL

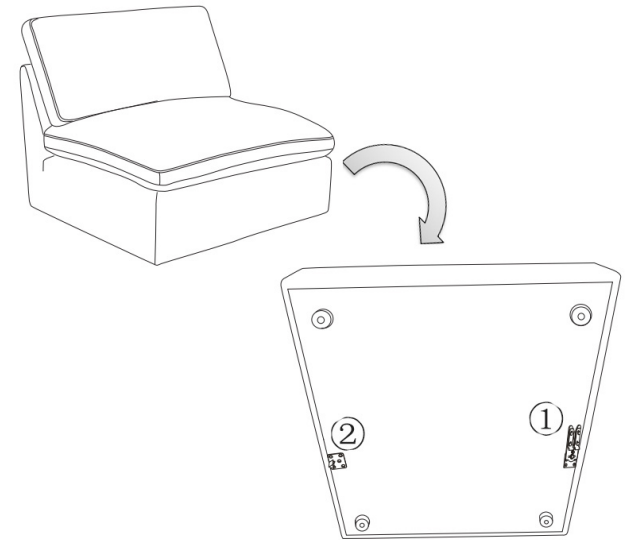


1

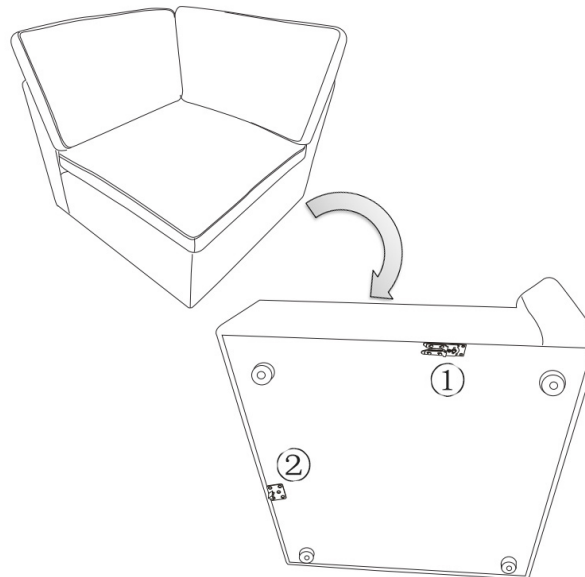
lock ① & ② to combine
ottoman is removable



2



3



4

