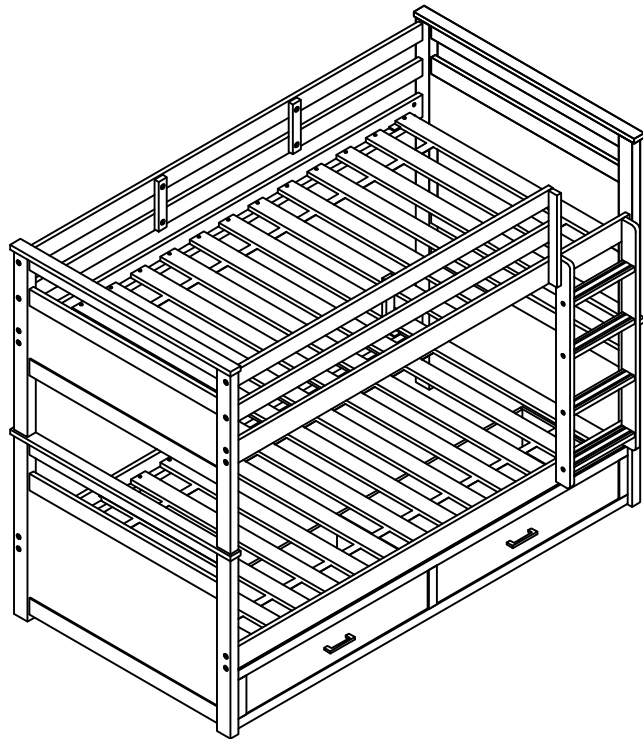




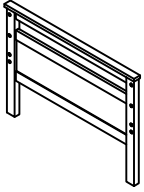
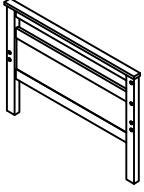
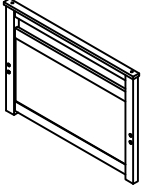
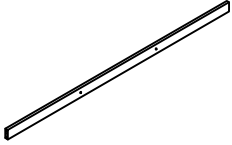
## Reese Twin Over Twin Bunk Bed

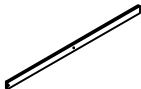





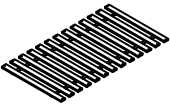
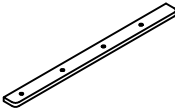

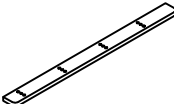




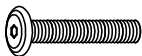





**SP -1509 - 3 / 257525,257630**



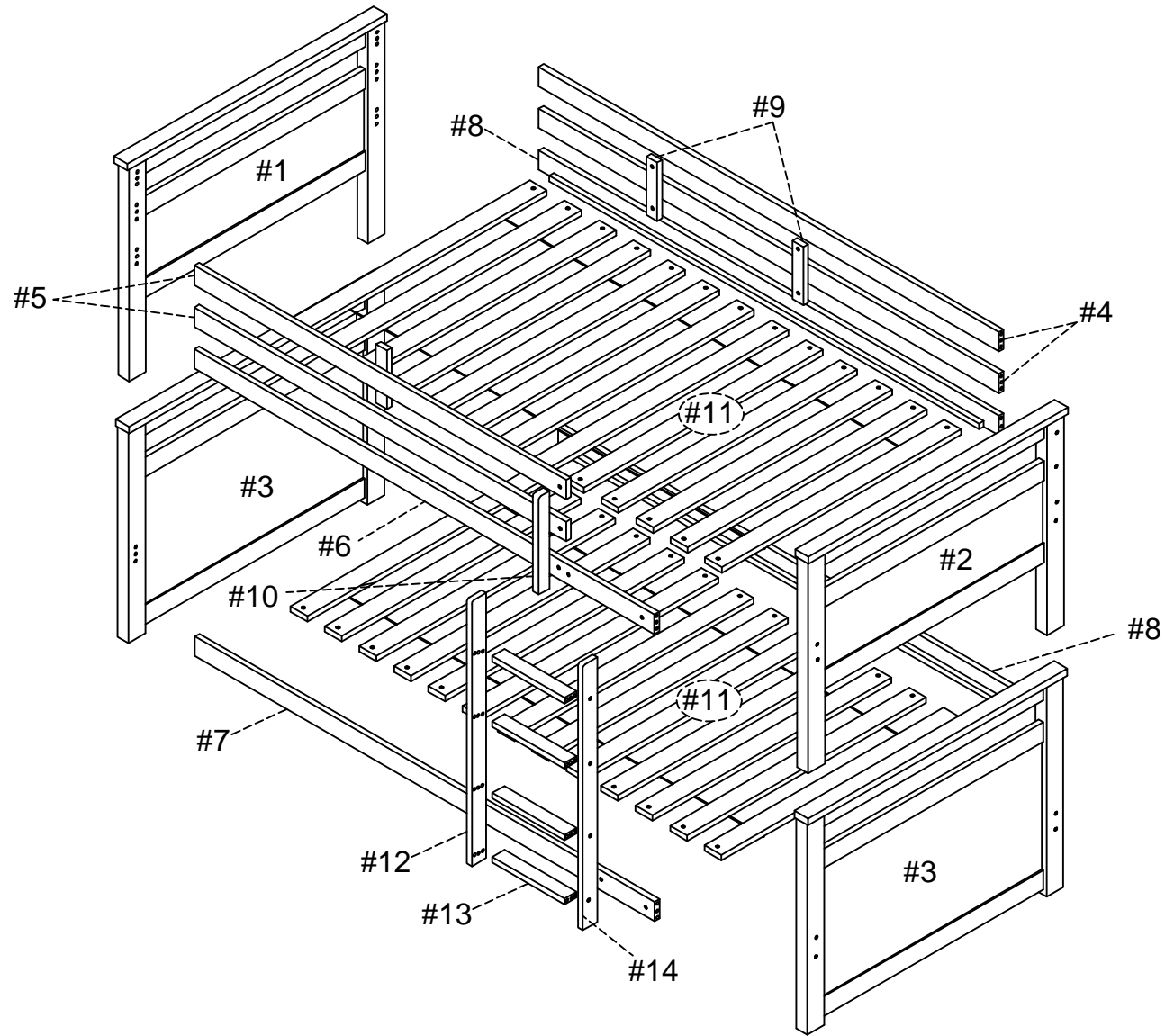
### PART LIST

#1	Upper End Guardrail		x1
#2	Upper End Guardrain		x1
#3	Lower End Guardrail		x2
#4	Back Guardrail		x2

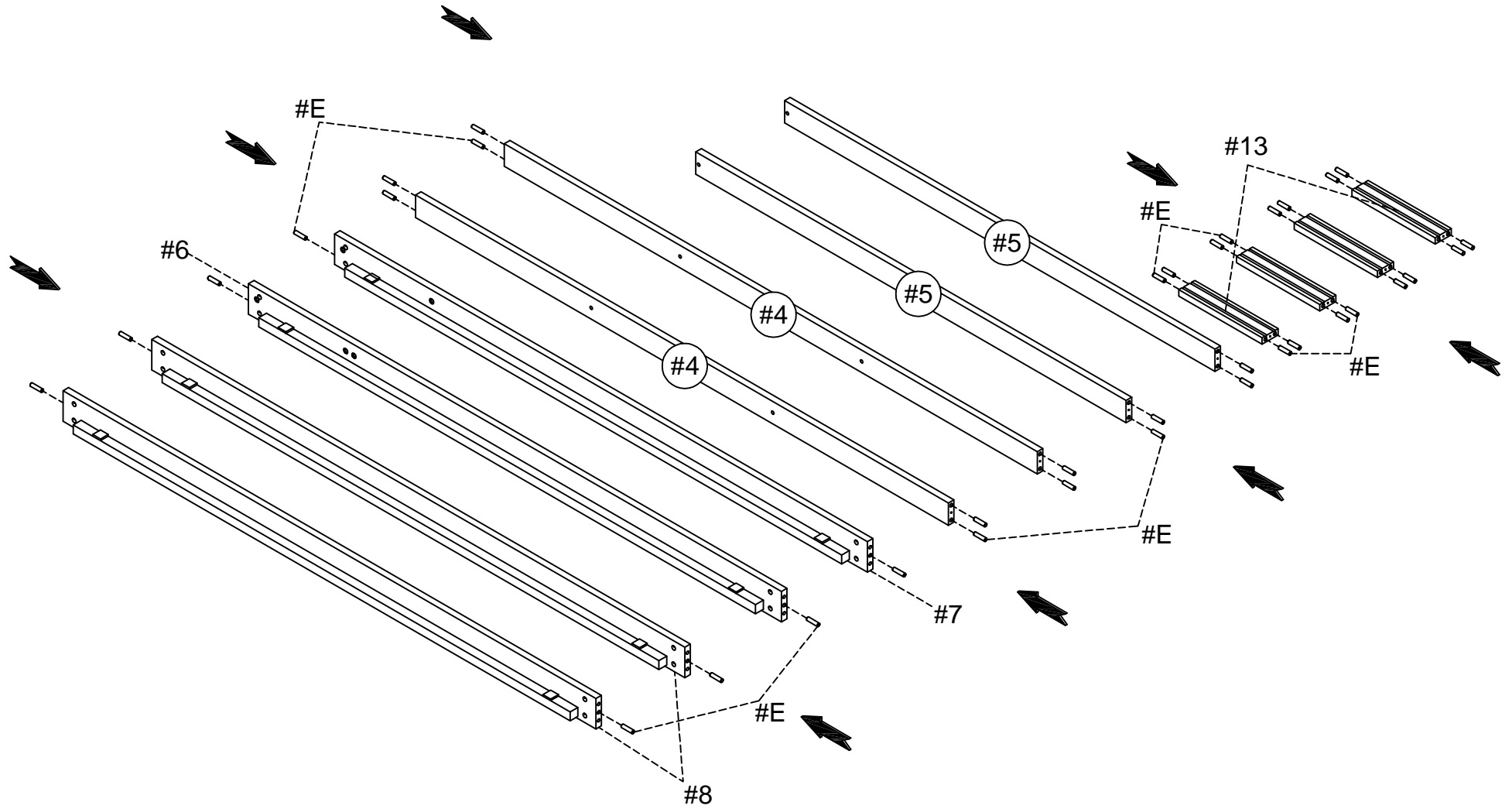
#5	Front Guardrail	 x2
#6	Upper Front Side Rail	 x1
#7	Lower Front Side Rail	 x1
#8	Upper Back Side Rail	 x2
#9	Guardrail Support	 x3
#10	Guardrail	 x1
#11	Slat (13pcs)	 x2
#12	Ladder Rail (Left)	 x1
#13	Ladder Rung	 x4
#14	Ladder Rail (Right)	 x1

<b>HARDWARE</b>		
#A	Bolt Ø1/4"x100mm"(D13)	 x16
#B	Bolt Ø1/4"	 x16
#C	Bolt Ø1/4"x30mm"(D13)	 x21
#D	Bolt Ø1/4"x50mm"(D13)	 x6
#E	Wooden Pegs #10x40mm	 x36
#F	Latch	 x4
#G	Allen Key	 x1
#H	Screw #4x30mm	 x52

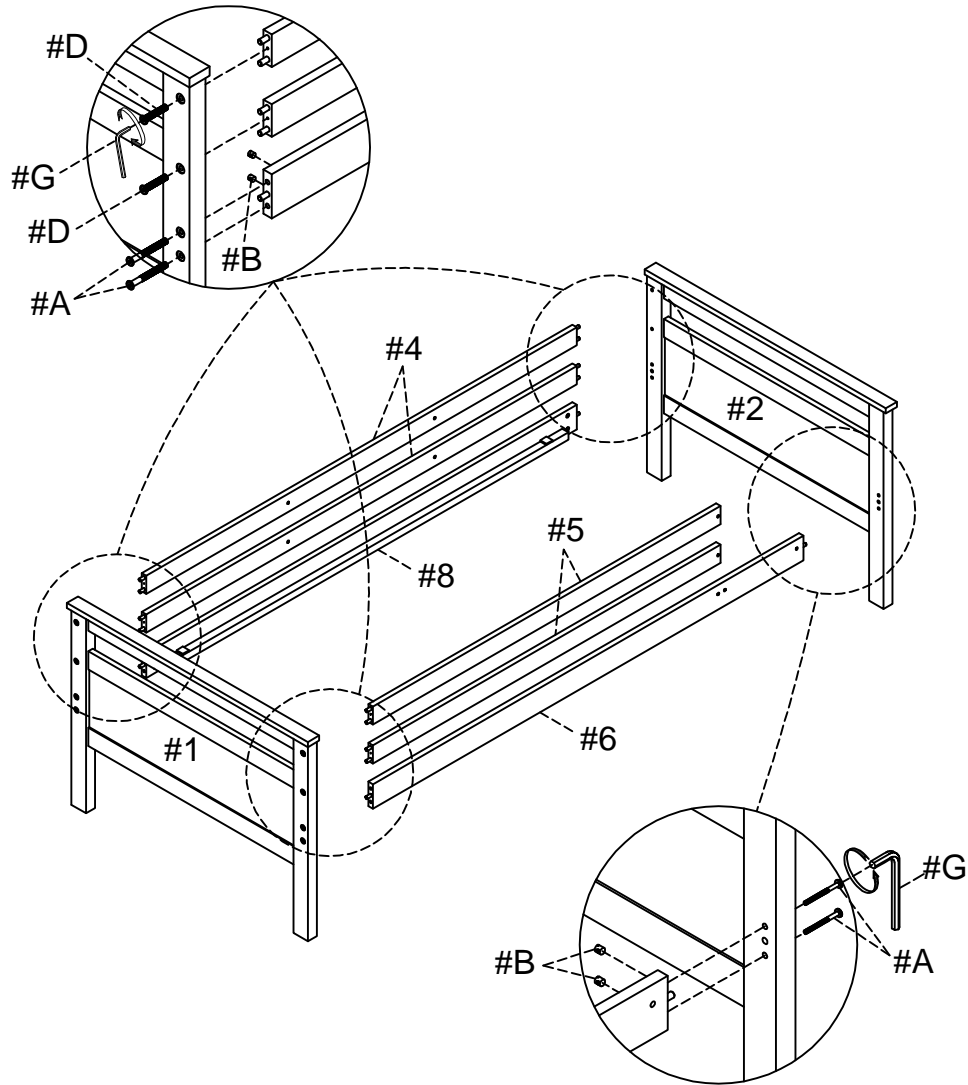
1



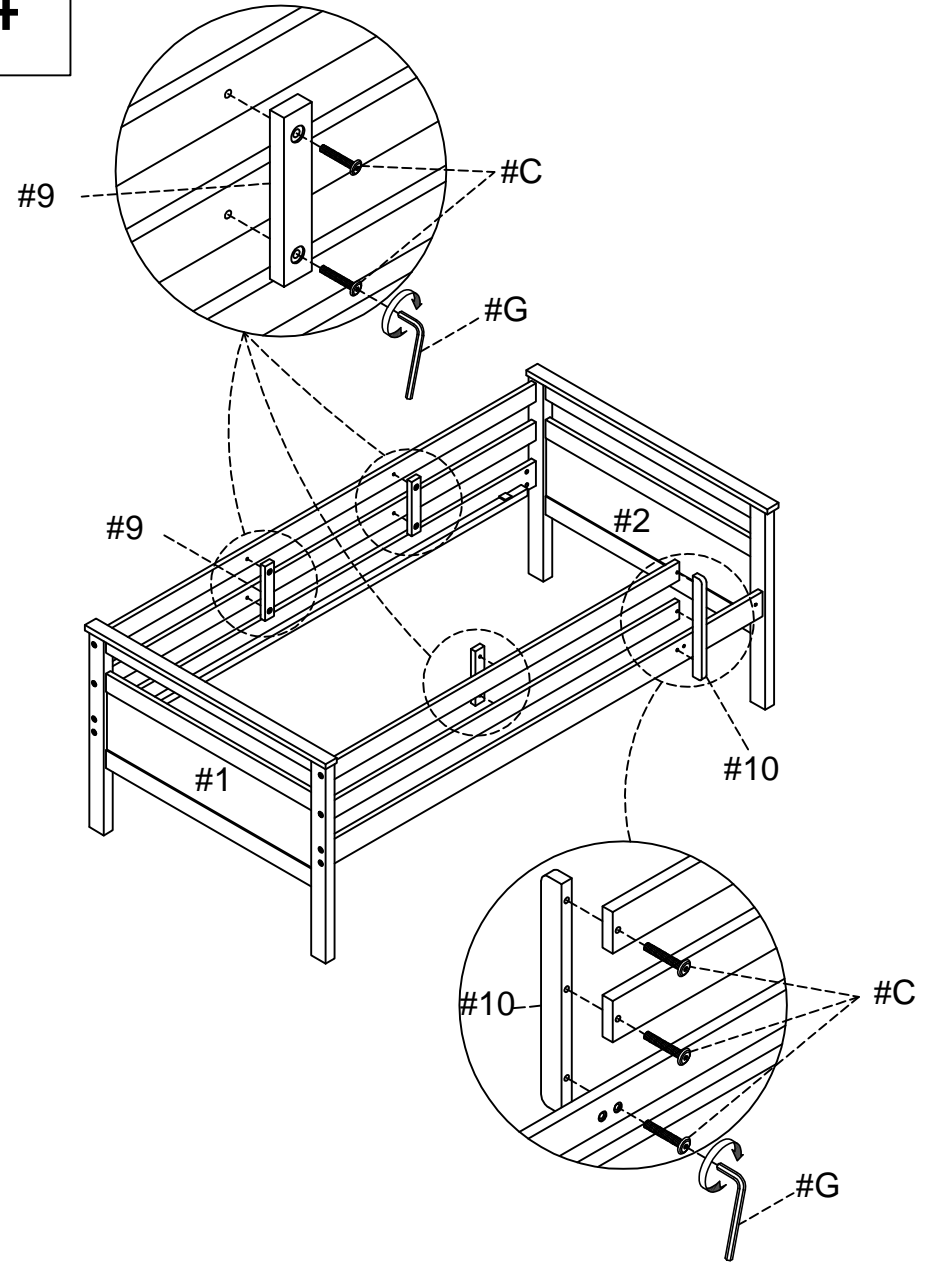
2



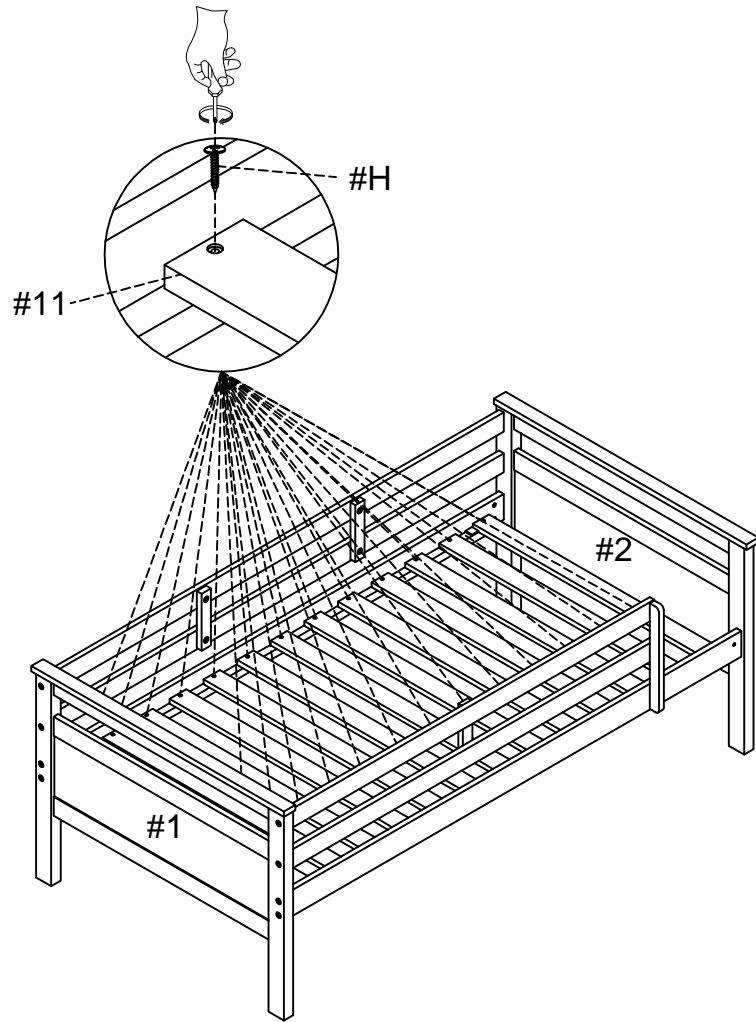
3



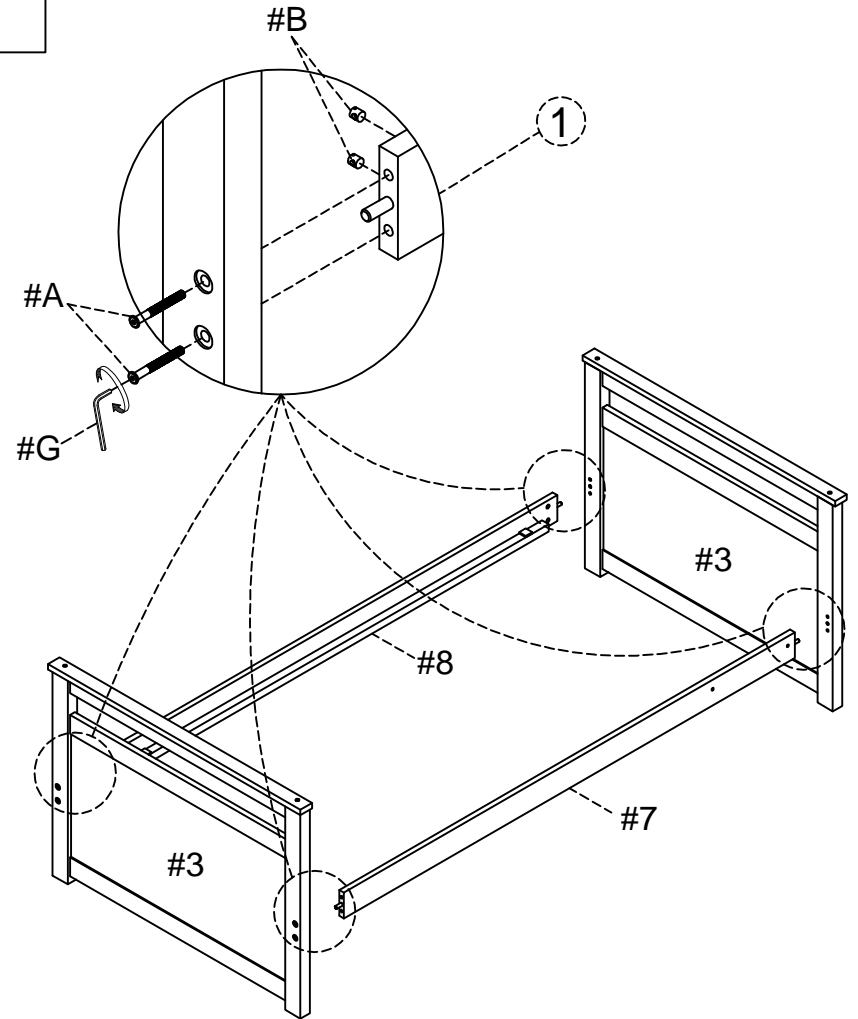
4



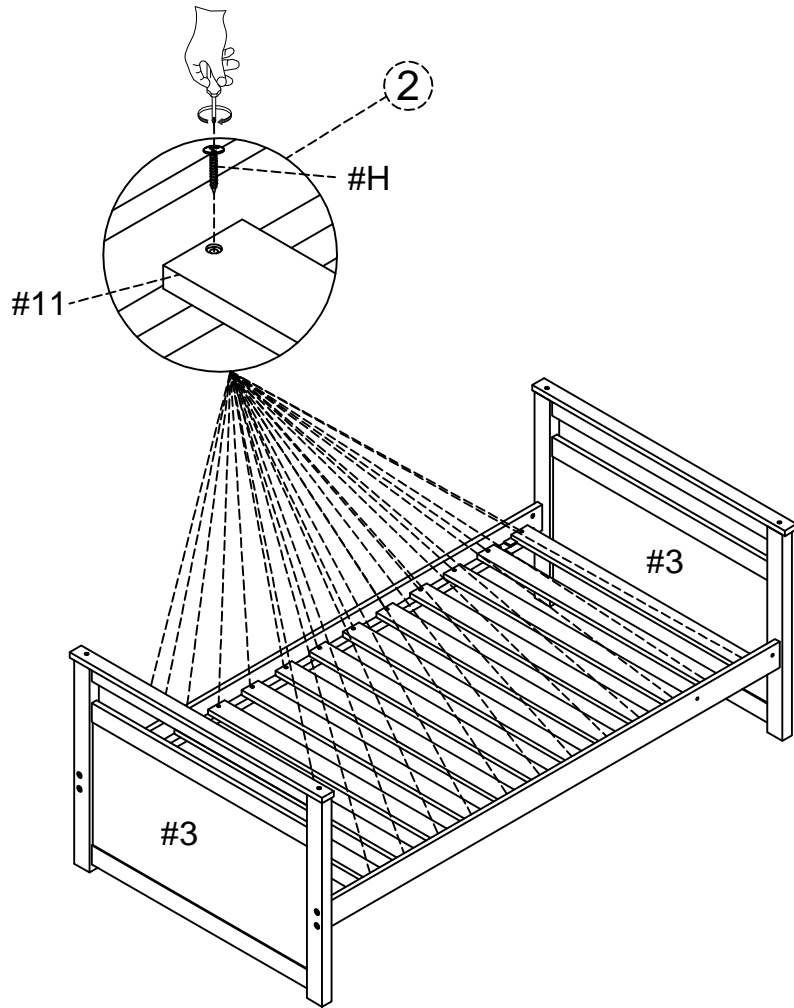
5



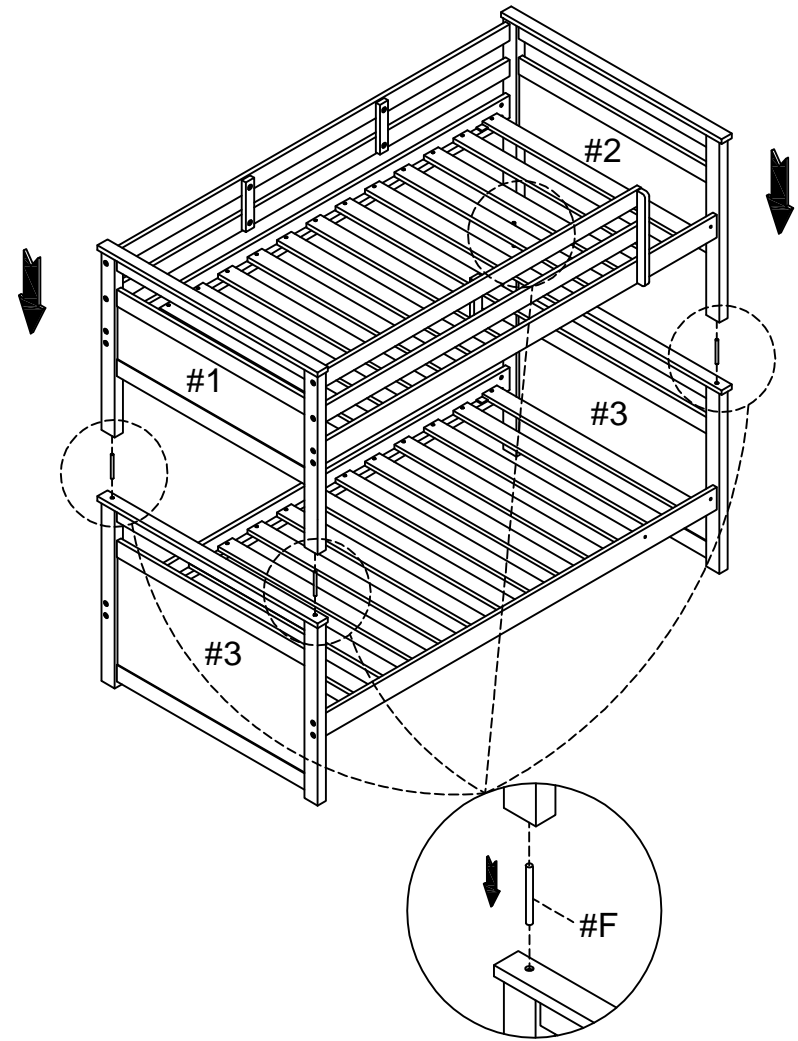
6



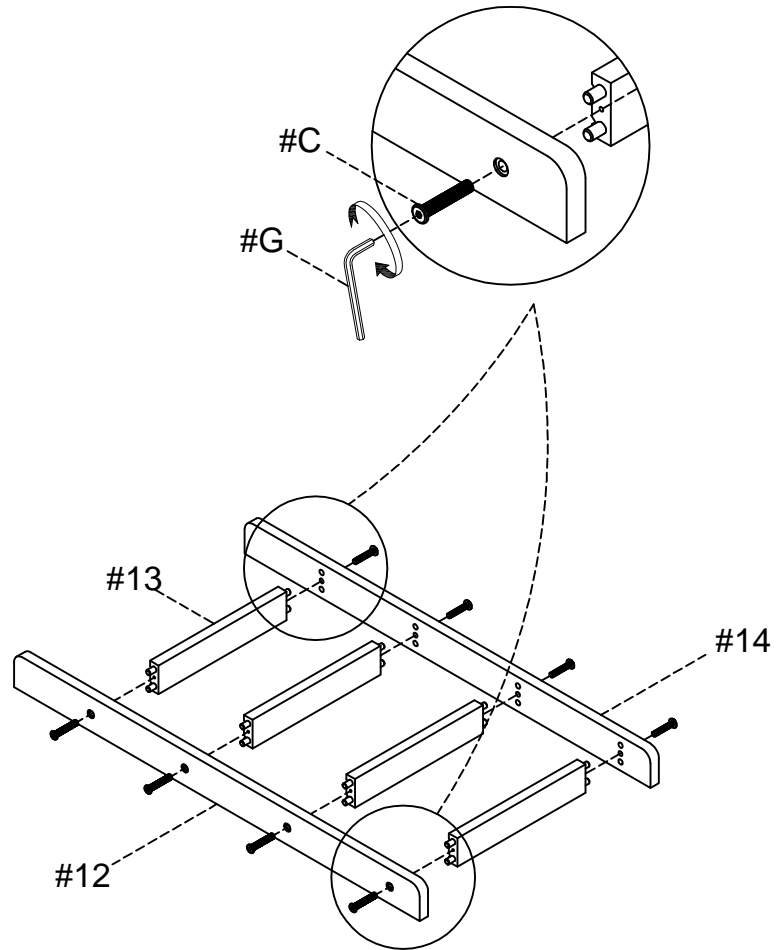
7



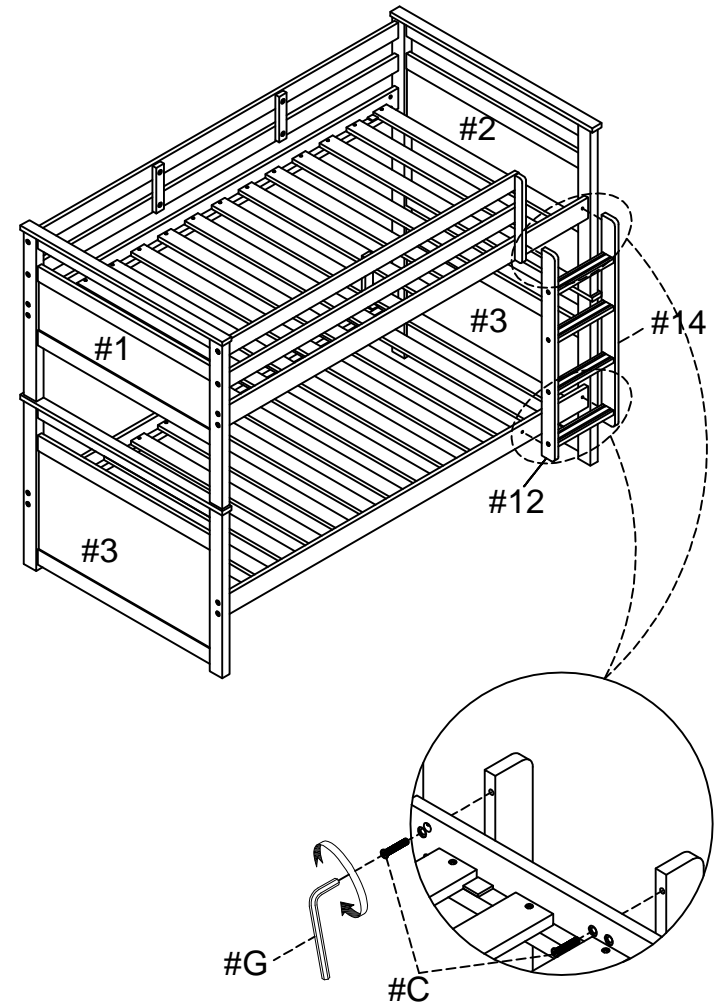
8



9

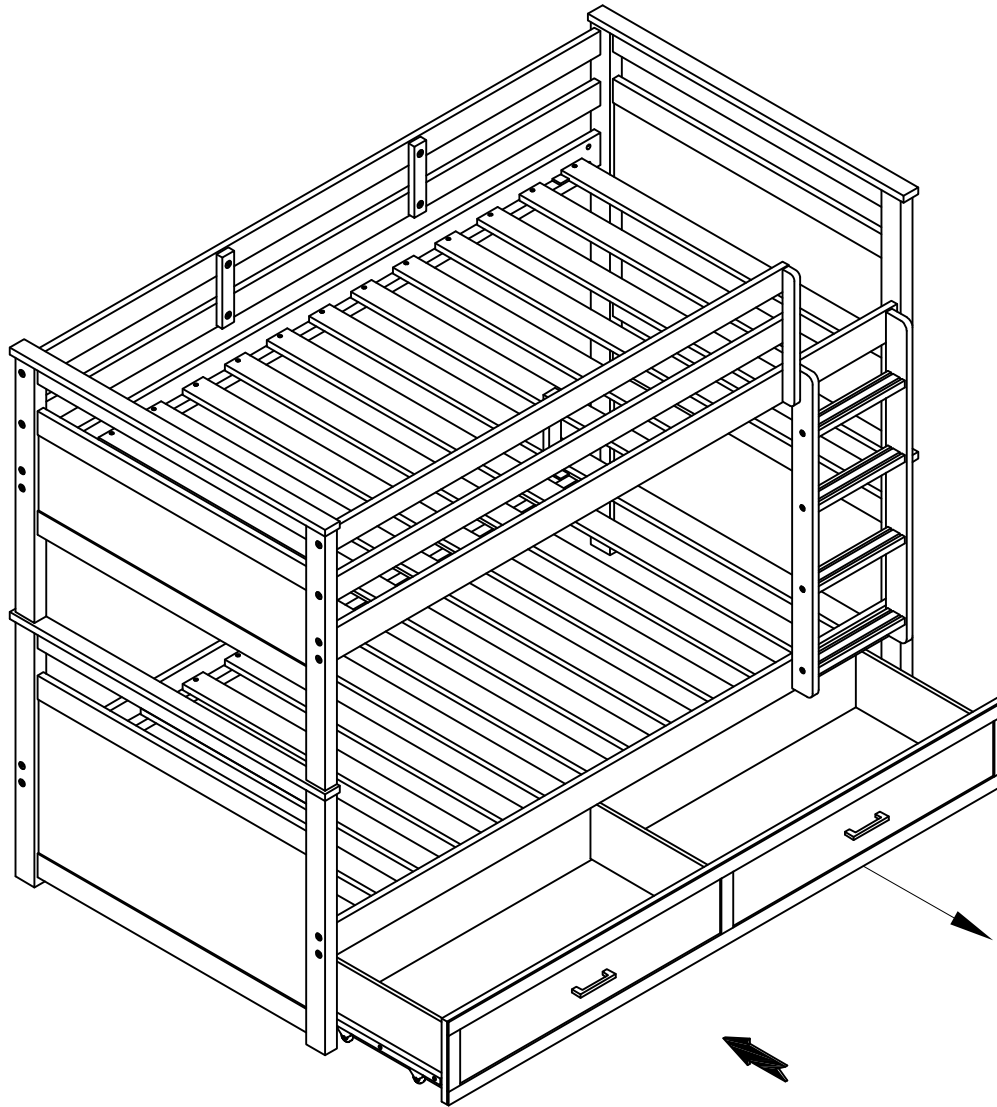


10





11



SP-1625 / 257526,257632  
2-Drawer storage unit is not  
included and need to be  
purchased separately.

# SAFETY WARNING

## SAFETY WARNINGS

1. Follow the information on the warnings attached to the upper bunk end structure and on the carton. Do not remove this label from bed.
2. Always use the recommended size mattress or mattress support, or both, to help prevent the likelihood of entrapment or falls.
3. Surface of mattress must be at least five inches(127mm) below the upper edge of guardrails.
4. Do not allow children less than six years of age to use the upper bunk.
5. Periodically, check and ensure that the guardrail, ladder and other components are in their proper position, free from damage and that all connectors are tight.
6. Do not allow horseplay on or under the bed and prohibit jumping on the bed.
7. Always use the ladder or bed end for entering and leaving the upper bunk.
8. Do not use substitute parts. Contact manufacturer or dealer for replacement parts.
9. Use of a night-light may provide added safety precautions for a child using the upper bunk.
10. If the bunk bed will be placed next to a wall, the guardrail that runs the full length of the bed should be placed against the wall to prevent entrapment between the bed and the wall. (This applies only to bunk beds without two full-length guardrails.)
11. Always use guardrails on both long sides of the upper bunk.
12. The use of water or sleep flotation mattress is prohibited.
13. Keep these instructions for future reference.
14. Prohibit more than one person on upper bunk.

## STRANGULATION HAZARD

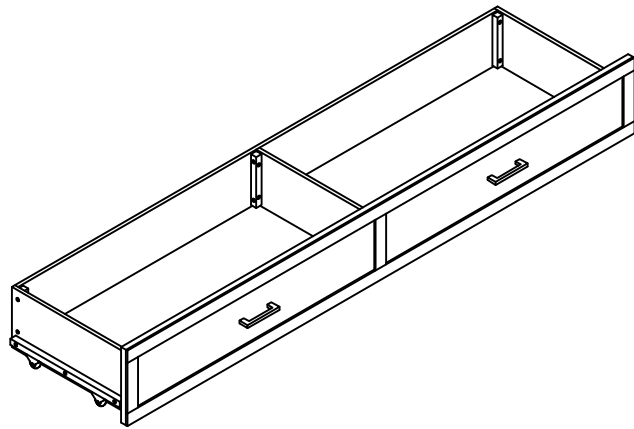
15. Never attach or hang items to any part of the bunk bed that are not designed for use with the bed for example, but not limited to hooks, belts and jump ropes.

## STRANGULATION HAZARD

Use only mattress which is 74 3/4" long and 39" wide on upper bunk.  
Ensure thickness of mattress does not exceed 7" and mattress is at least 5" below upper edge of guardrail.



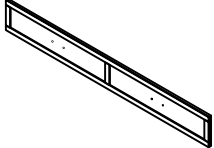
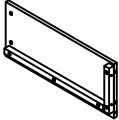
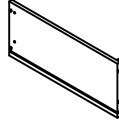
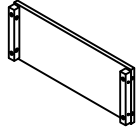
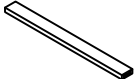
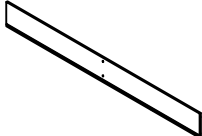
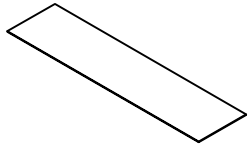
## Reese 2-Drawer Storage Unit








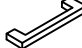
**SP -1625 / 257526,257632**



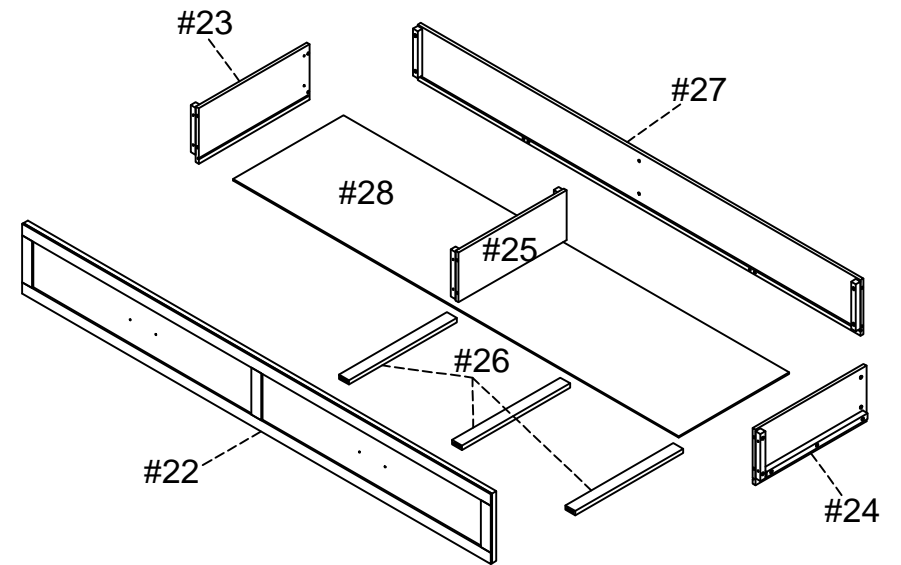
### PART LIST

#22	Drawer Front	 x1
#23	Left Back Weight	 x1
#24	Right Back Weight	 x1
#25	Between Side	 x1
#26	Support Learning Scissors	 x3
#27	Drawer Back	 x1
#28	Drawer Bottom	 x1

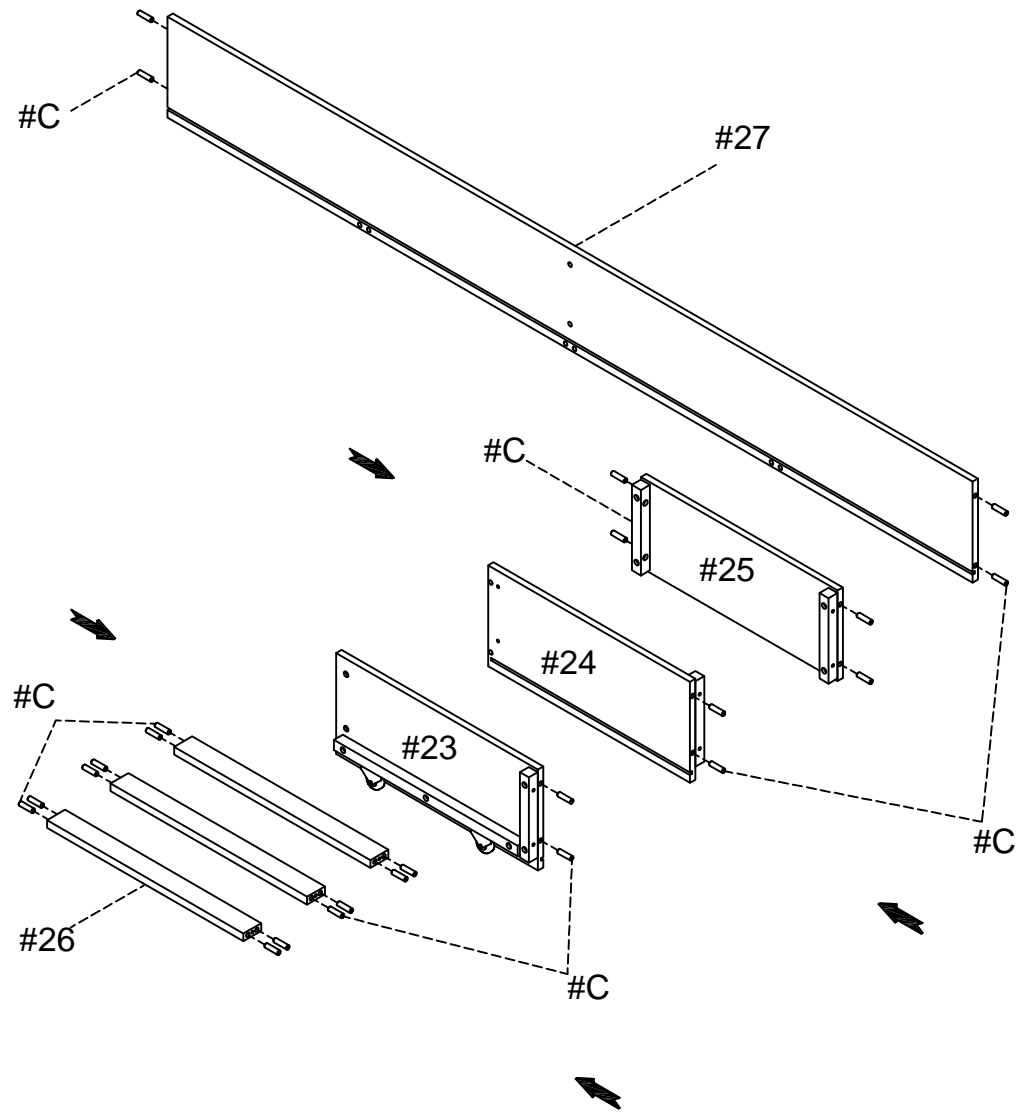
## HARDWARE

#A	Screw #4x25mm		x18
#B	Screw #3.5x15mm		x8
#C	WOODEN PEGS #8x30mm		x24
#D	Screw #5/32x25mm		x4
#E	Wheel		x4
#F	Handle		x2

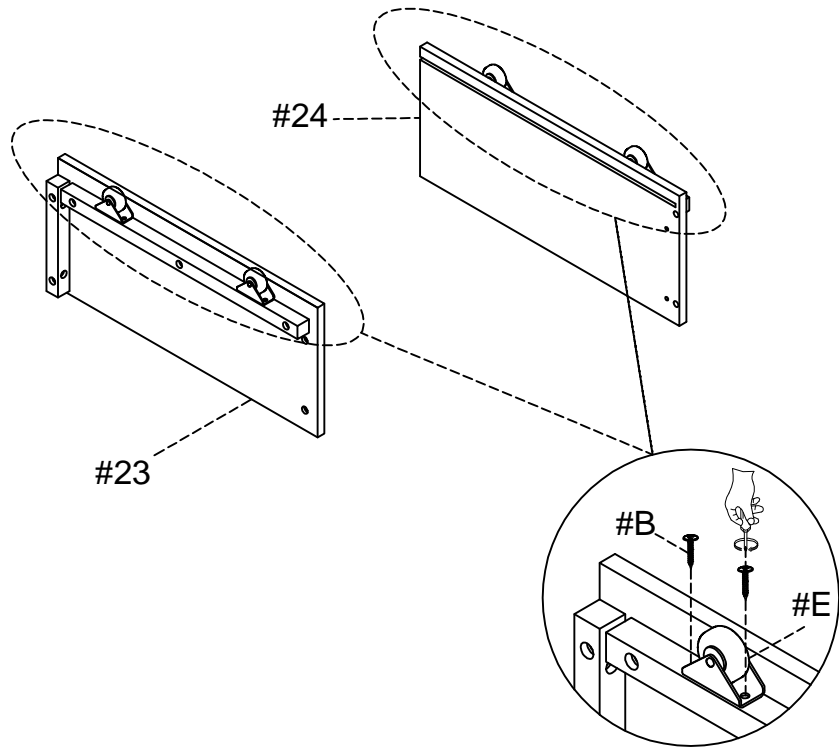
1



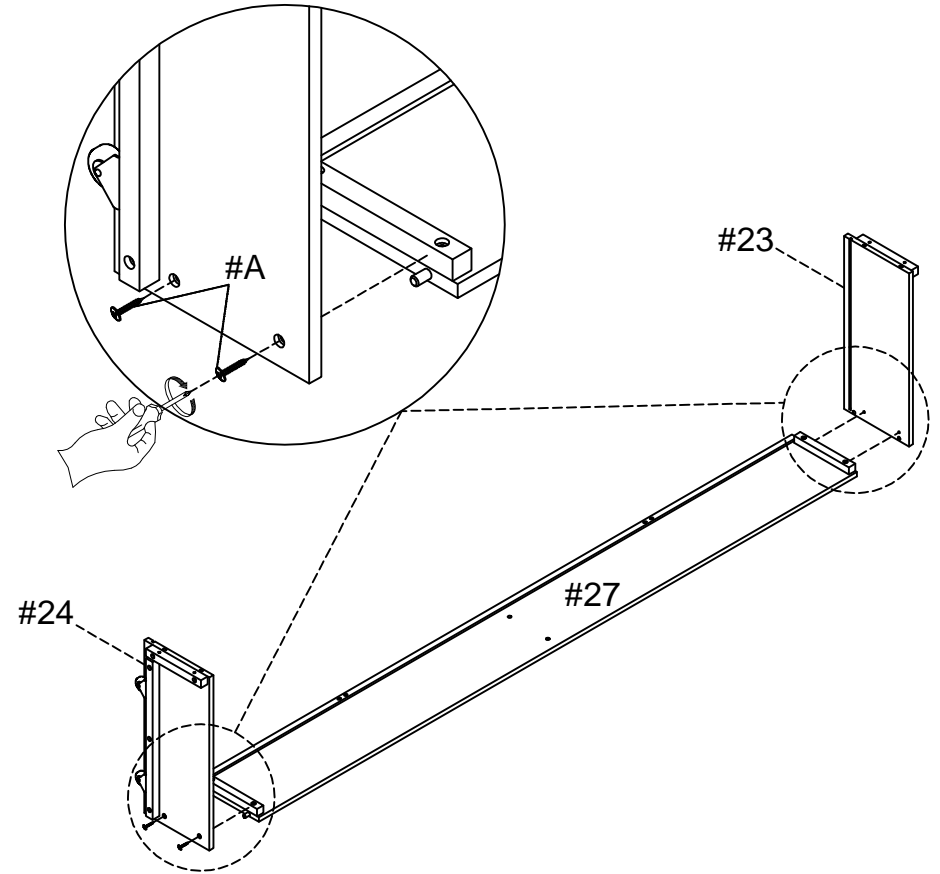
2



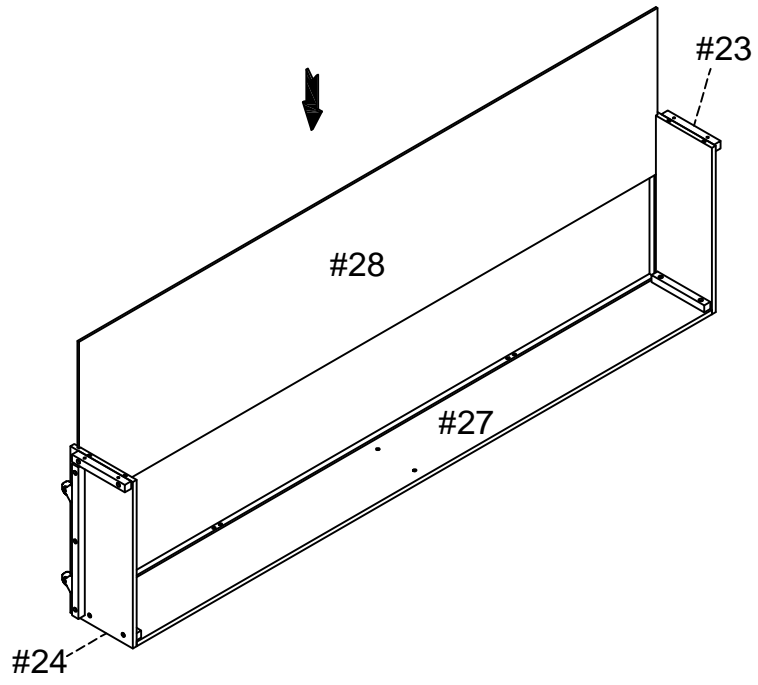
3



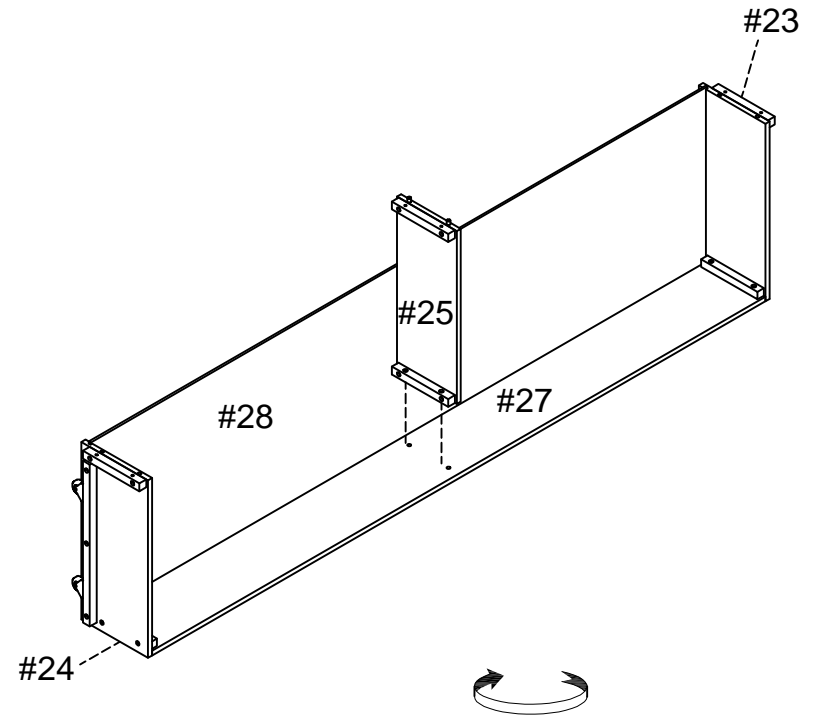
4



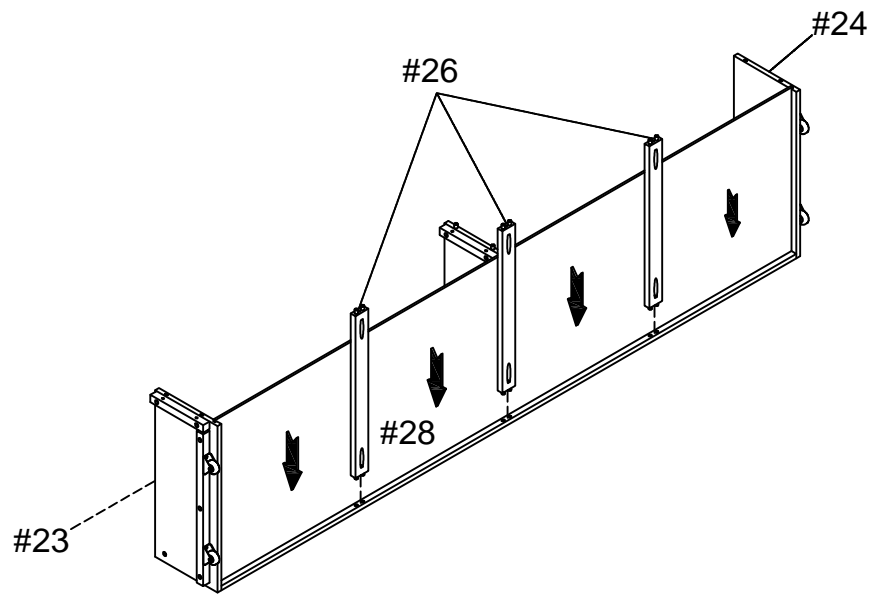
5



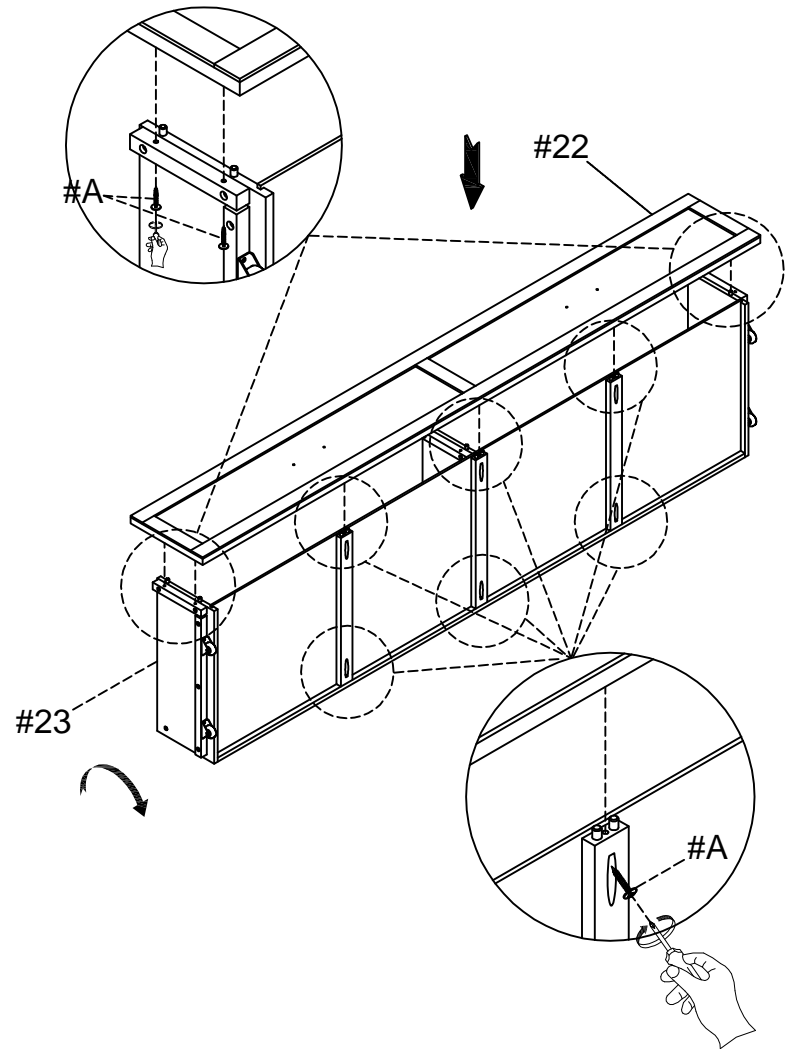
6



7

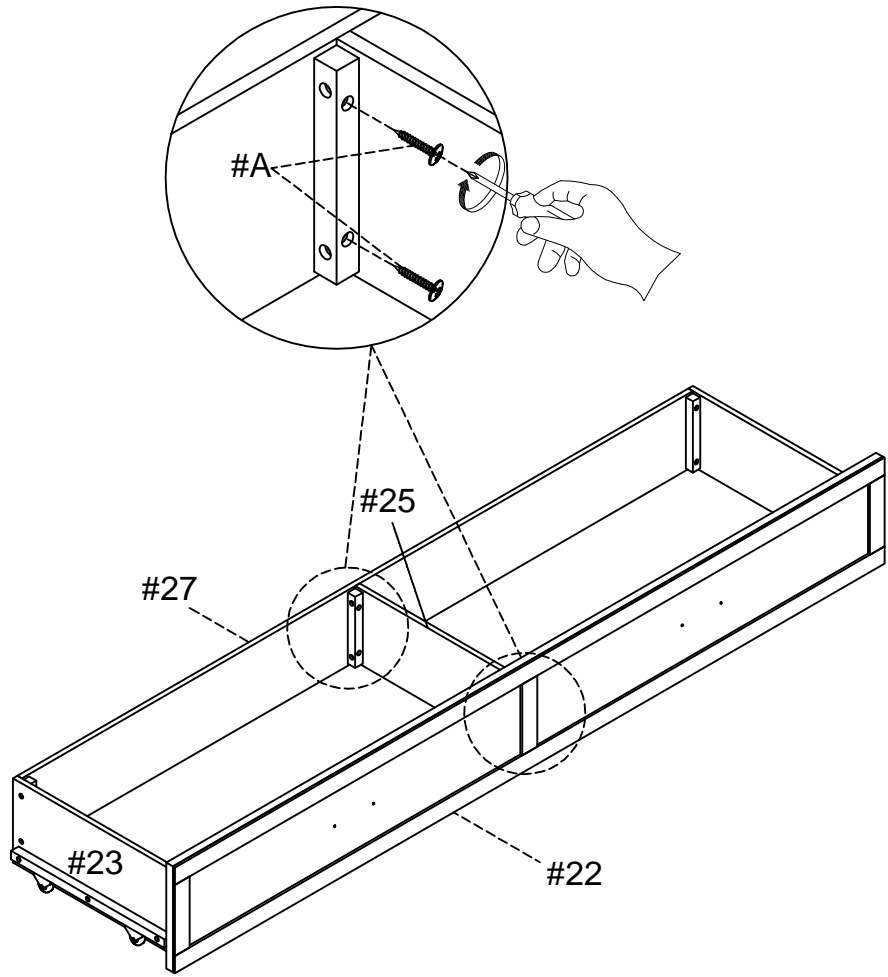


8





9



10

