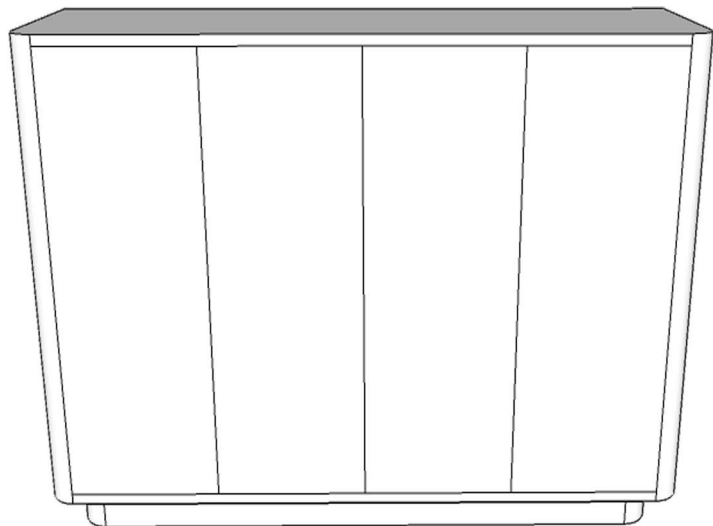
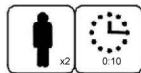


LIVING SPACES

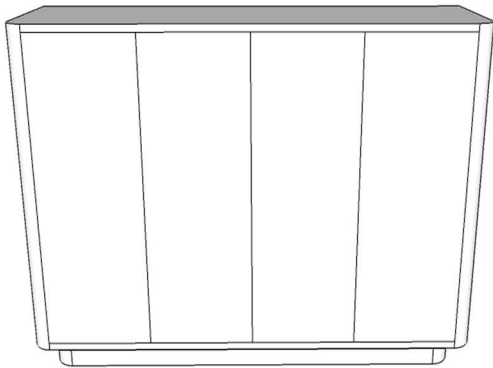
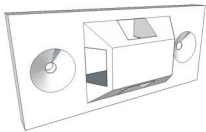



FOUR DOOR SOL BUFFET CABINET



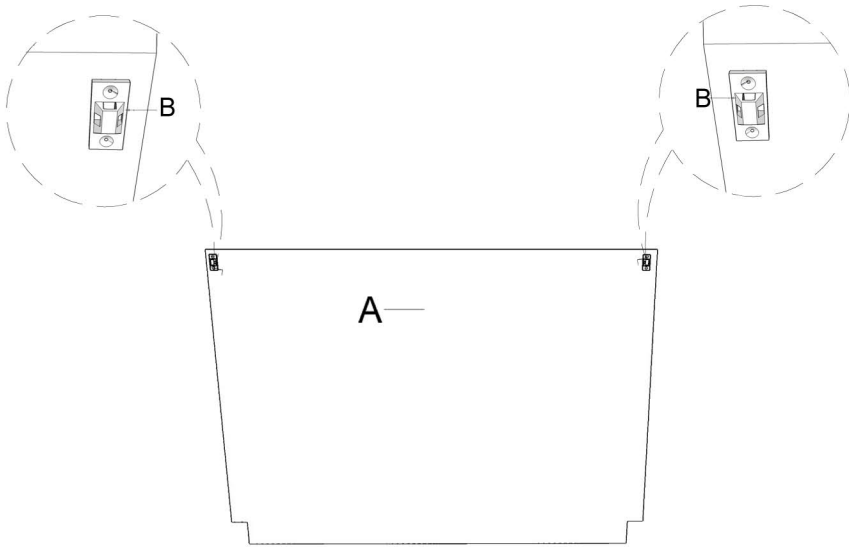
PS-P1901 BCAB/256581
FOUR DOOR SOL BUFFET CABINET



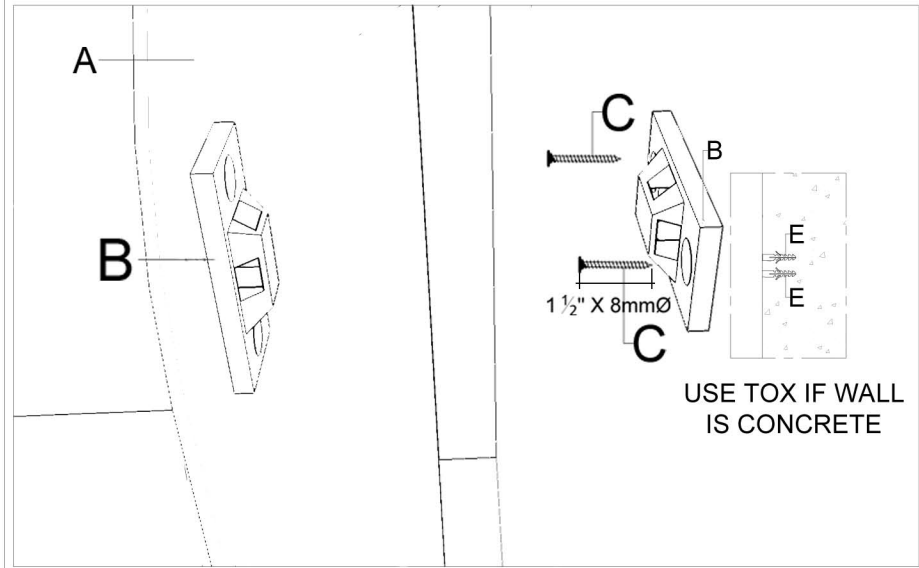
PART LIST

A	PS-P1901 BCAB-A	 <p>x1</p>
B	PS-P1901 BCAB-B	 <p>TIP KIT</p> <p>2 sets</p>
C	PS-P1901 BCAB-C	 <p>WOOD SCREW 1 1/2" X 8mmØ</p> <p>x4</p>
D	PS-P1901 BCAB-D	 <p>WHITE CABLE TIE</p> <p>x2</p>
E	PS-P1901 BCAB-E	 <p>TOX (IF WALL IS CONCRETE)</p> <p>x4</p>

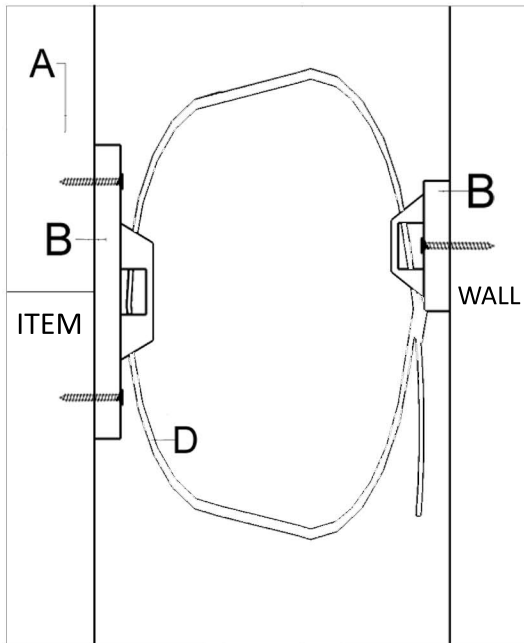
1



2



3



4

