





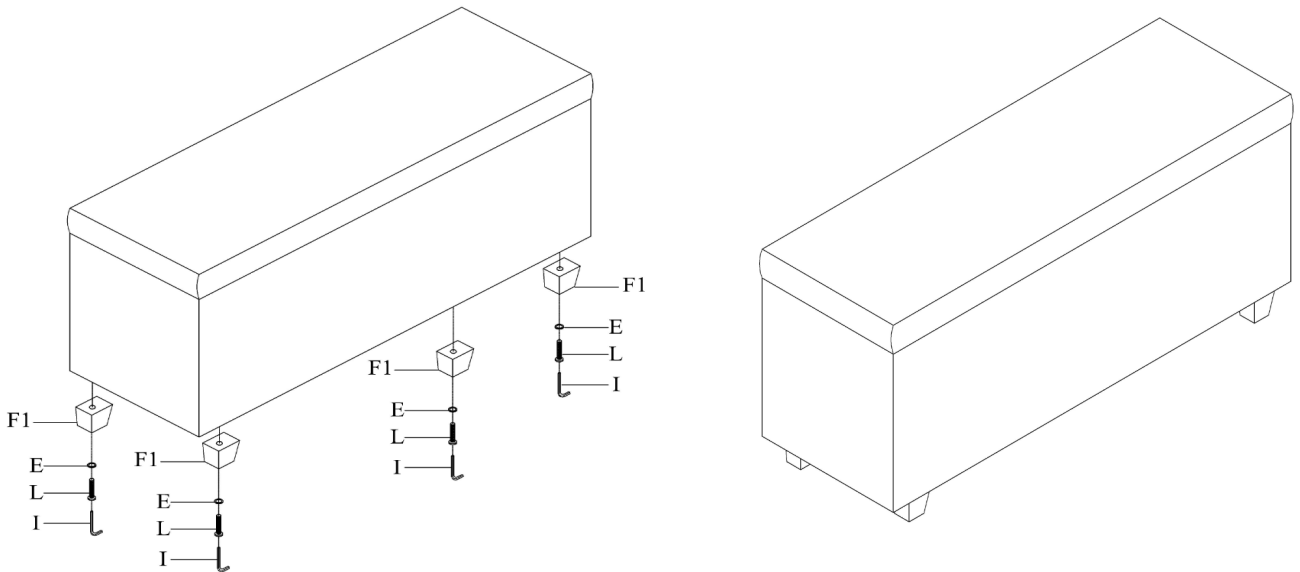


LIVING SPACES

Boswell Bench Assembly Instructions

Hardware included in storage to attach bench feet .

F1	H	E	I
			
H=6MM	8*50MM	8MM	8MM
4PCS	4PCS	4PCS	1PC



Step#1

Retrieve bench feet from carton fastened in the Storage.

Step#2

Attach bench feet (F1) to the bench using Wrench (I), Bolt (L) and Washer (E).

CONGRATULATIONS ON YOUR NEW BENCH PURCHASE