
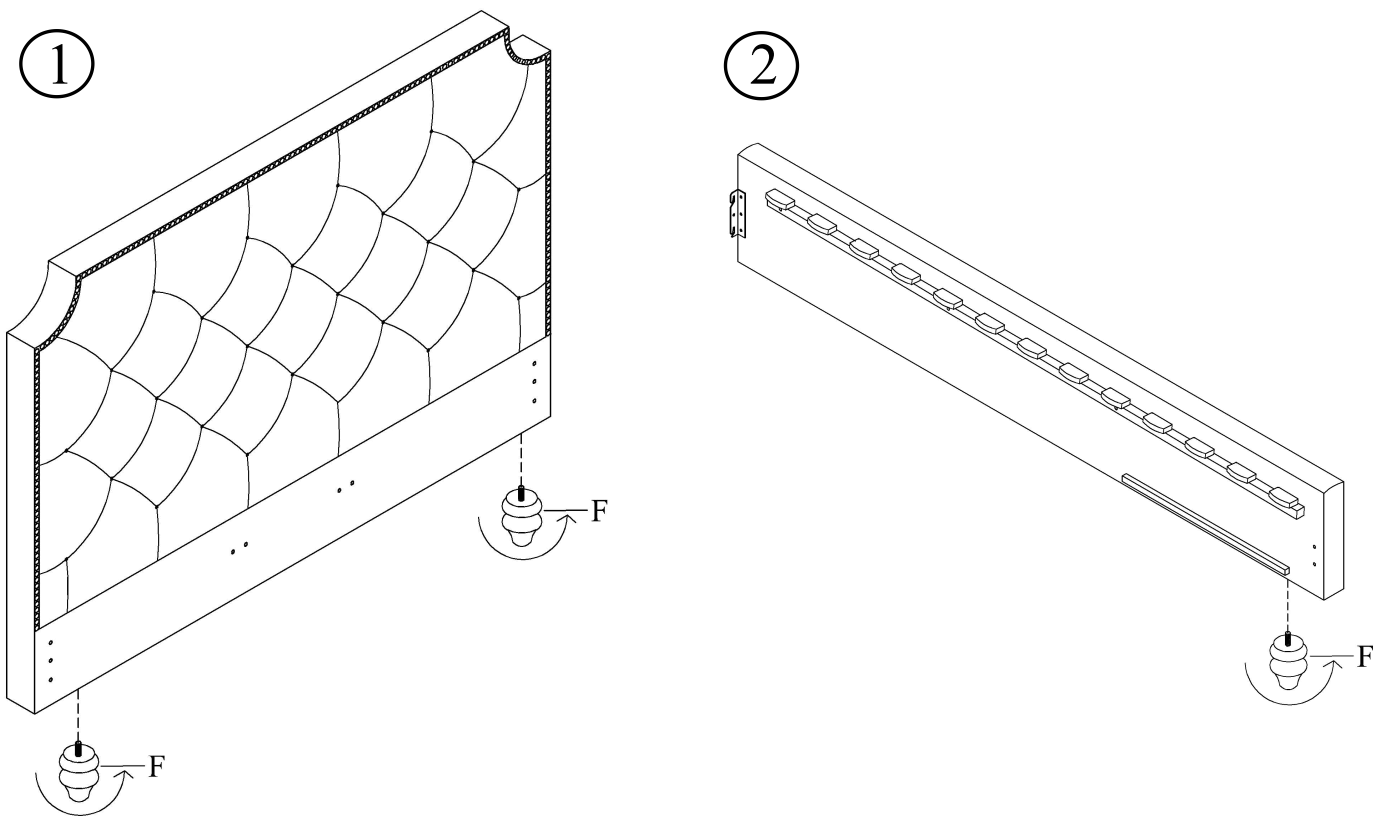


## Sophia II E/C King Storage bed Assembly Instructions

Bed feet are packed in headboard carton.

<b>F</b>

H=10CM
4PCS



### Step#1

Retrieve bed feet from carton fastened behind the headboard.  
Attach bed feet (F) to the headboard .

### Step#2

Attach bed feet (F) to the side rails.

**CONGRATULATIONS ON YOUR NEW BED PURCHASE**

~Warning: do not move bed after final assembly as it may result in damages to floor and/or bed.~

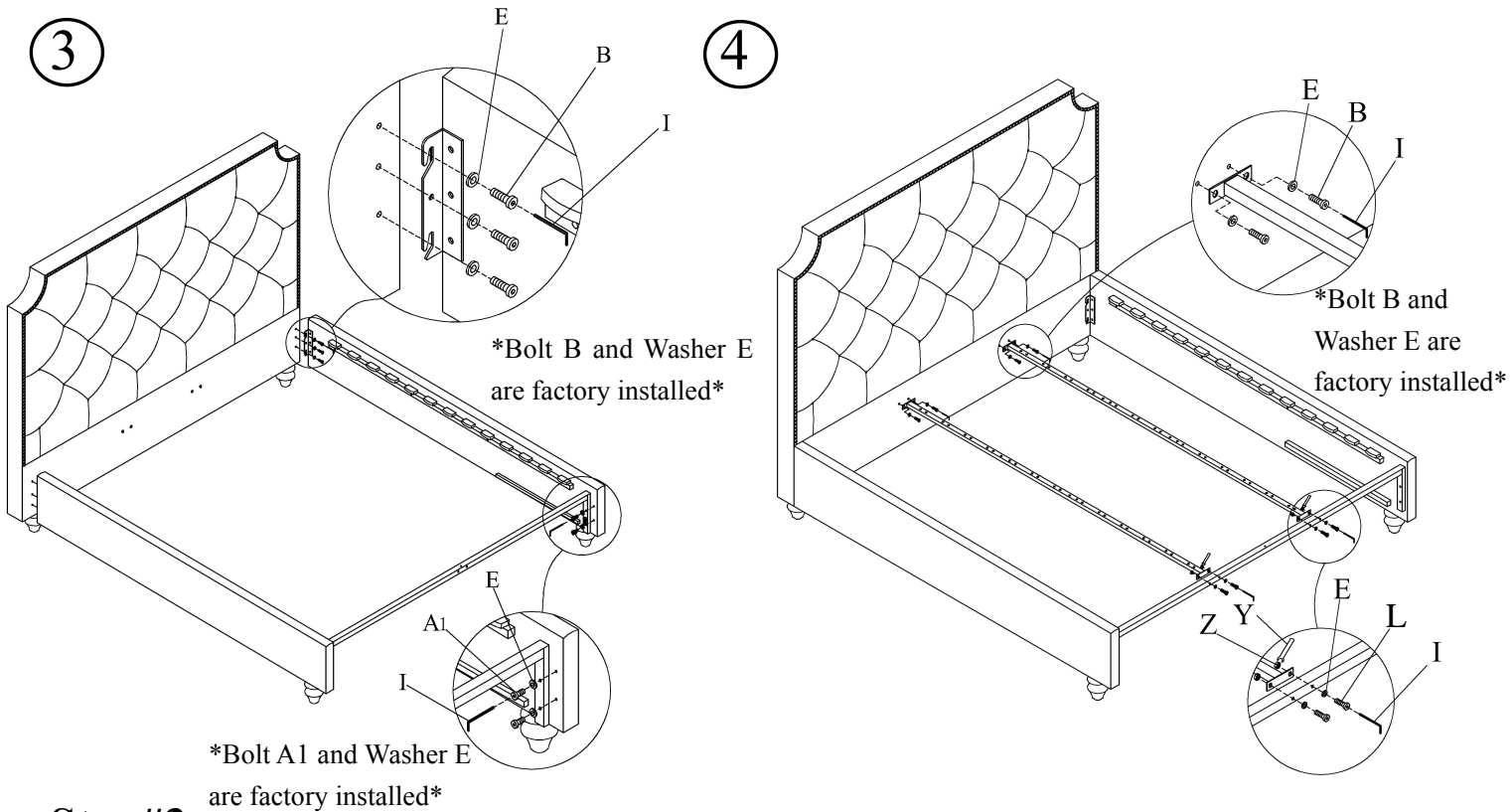


LIVING SPACES

## Sophia II E/C King Storage bed Assembly Instructions

Hardware included in side rails carton to attach center support system..

D	E	I	J	L	M	N	O	P	U	Y	Z
Φ6 MM	Φ8 MM	Φ8 MM	H=31CM	Φ8*50MM	Φ6*40MM						
5PCS	4PCS	1PC	5PCS	4PCS	5PCS	26PCS	2PCS	39PCS	1PC	1PC	4PCS



### Step#3

Attach side rails to headboard using Wrench(I), Bolt (B) and Washer (E)(factory installed). Attach Metal support beam (U) to side rails using Wrench (I), Bolt (A1) and Washer (E). (factory installed).

### Step#4

Attach center support rails (O) to the Headboard using Wrench (I), Bolt (B) and Washer (E).(factory installed).













Attach center support rails (O) to the Metal support beam (U) using Wrench (I), Bolt (L) ,Washer (E) and Nut (Z). Tighten/secure center support rail with Wrench (Y) .

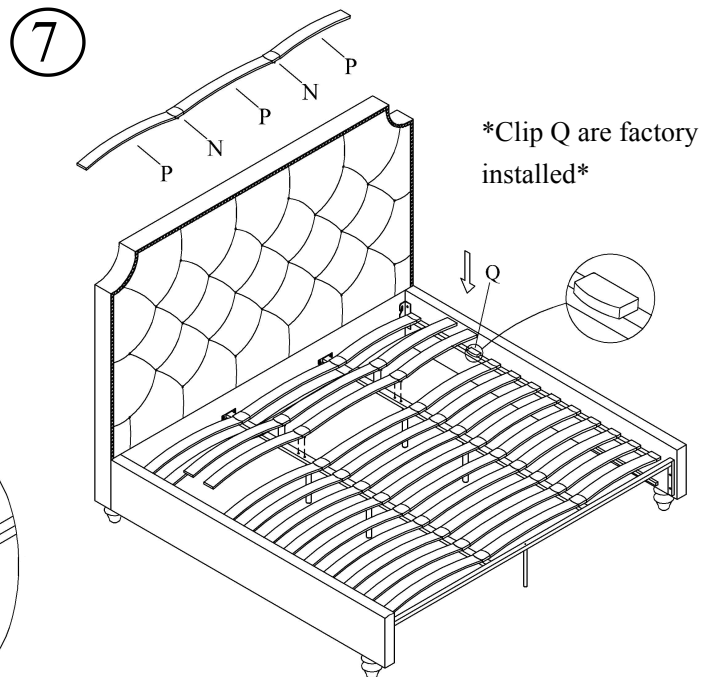
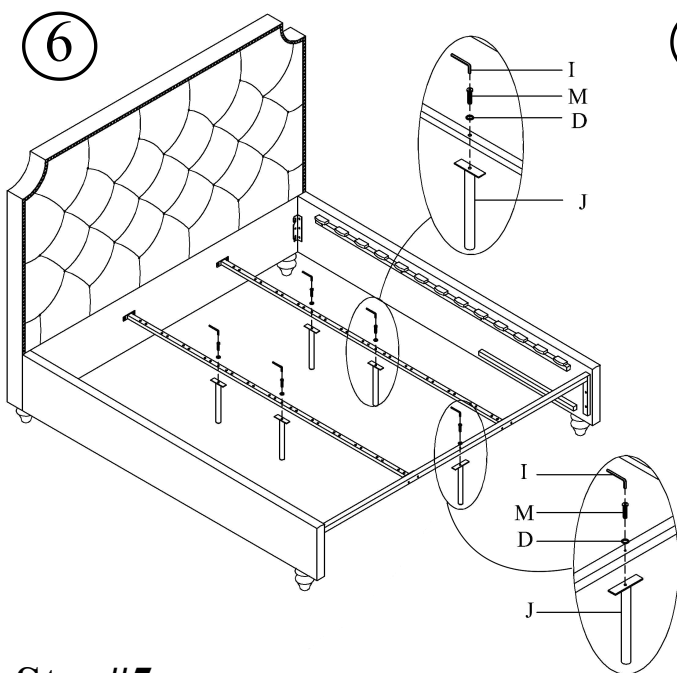
CONGRATULATIONS ON YOUR NEW BED PURCHASE

~Warning: do not move bed after final assembly as it may result in damages to floor and/or bed.~

## Sophia II E/C King Storage bed Assembly Instructions

Hardware included in side rails carton to attach center support system.

D	E	I	J	L	M	N	O	P	U	Y	Z
											
Φ6 MM	Φ8 MM	Φ8 MM	H=31CM	Φ8*50MM	Φ6*40MM						
5PCS	4PCS	1PC	5PCS	4PCS	5PCS	26PCS	2PCS	39PCS	1PC	1PC	4PCS



### Step#5

Locate bed in final position before attaching center supports.

### Step#6

Attach center support legs (J) to the Center support rails (O) using Wrench (I), Bolt (M) and Washer (D).

Attach center support leg (J) to the Metal support beam (U) using Wrench (I), Bolt (M) and Washer (D).

### Step#7

(IMPORTANT: Make sure slats are inserted into center clip BEFORE snapping into place)

Verify Euro Slats System Tension Slats are installed curved upwards per diagram.

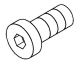



Insert tension slats into center clip (N) and factory installed End clip (Q) before snapping into place.

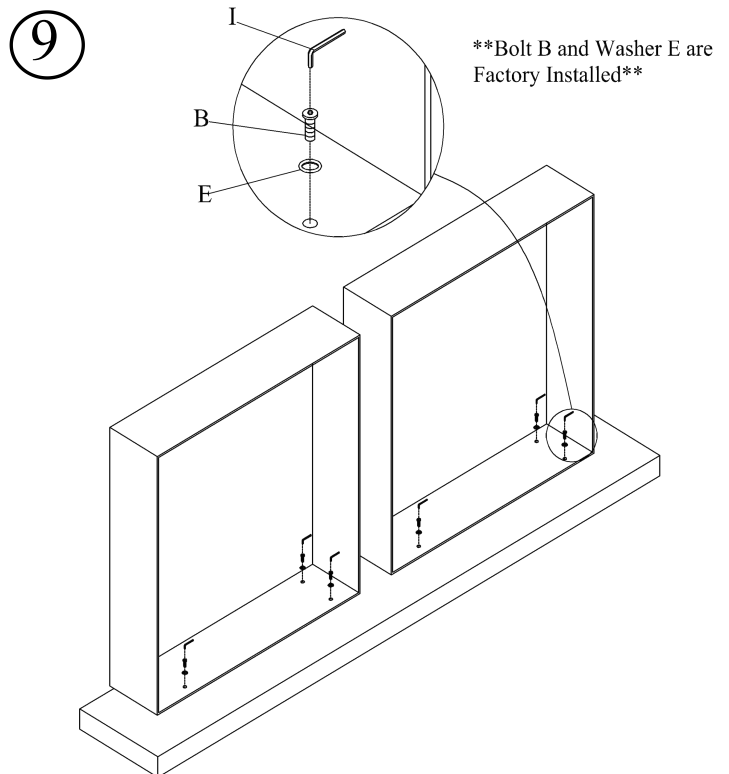
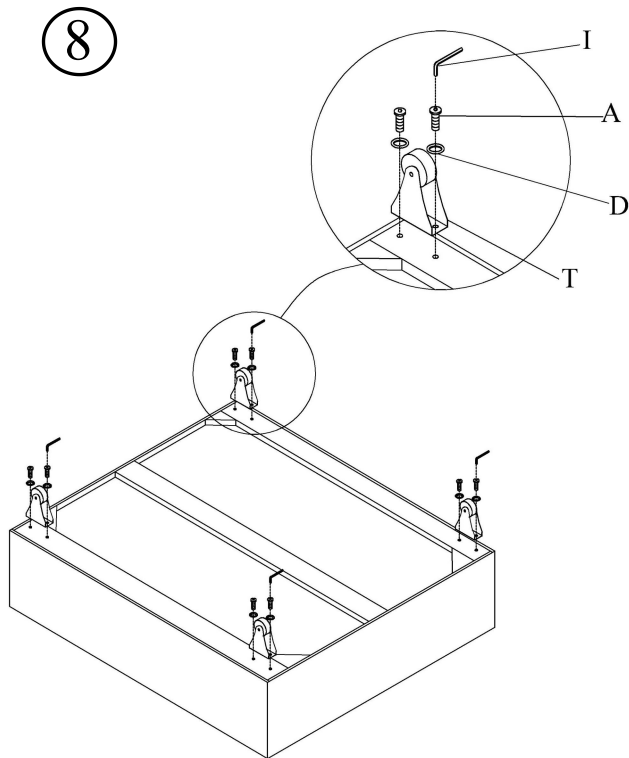
**CONGRATULATIONS ON YOUR NEW BED PURCHASE**

~Warning: do not move bed after final assembly as it may result in damages to floor and/or bed.~

## Sophia E/C King Storage bed Assembly Instructions

Hardware included in storage drawer carton.

A	D	I	T
			
Φ6*15MM	Φ6 MM	Φ8 MM	H=8 CM
16PCS	16PCS	1PC	8PCS



### Step#8

Attach casters (T) to the drawer using Wrench (I), Bolt (A) and Washer (D).

### Step#9

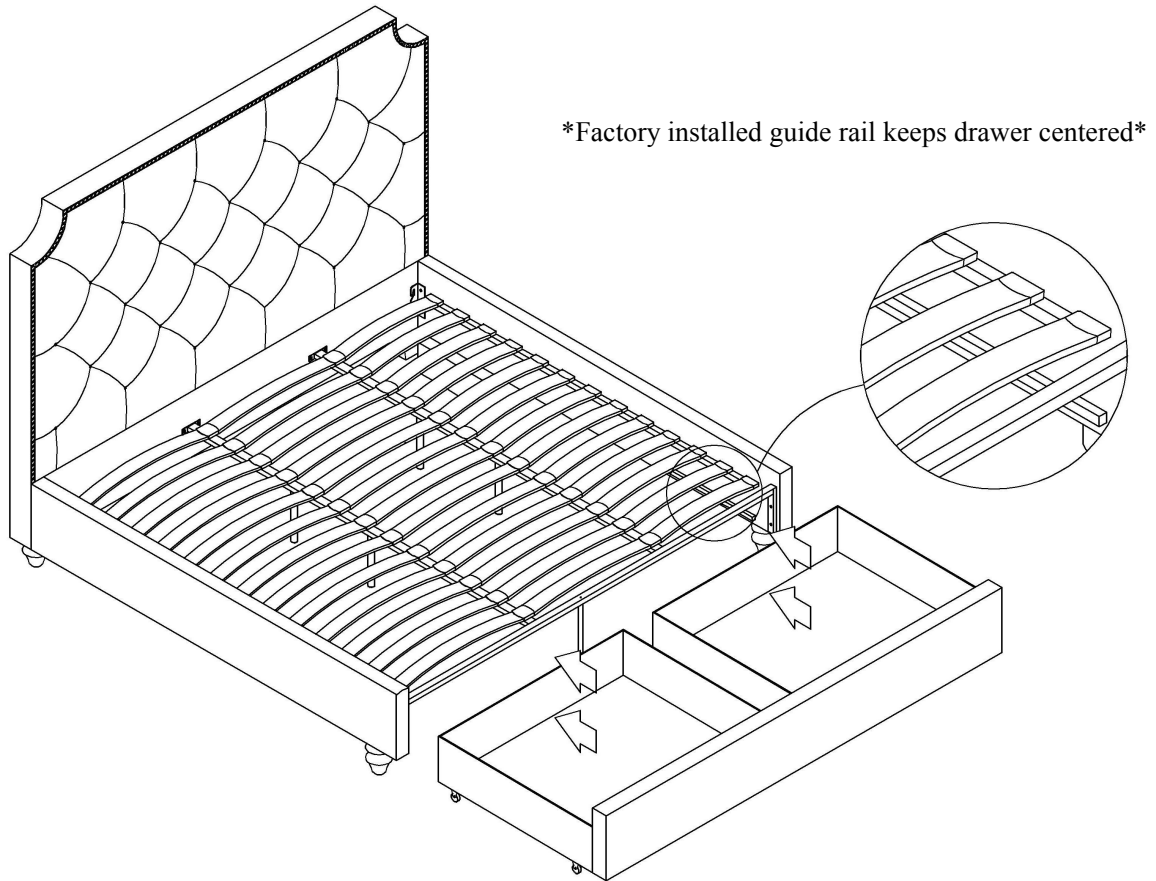
Attach drawers to the footboard using Wrench (I), Bolt (B) and Washer (E). (factor installed)  
Drawers attach 3/4" below bottom of footboard.

**CONGRATULATIONS ON YOUR NEW BED PURCHASE**

~Warning: do not move bed after final assembly as it may result in damages to floor and/or bed.~

Sophia II E/C King Storage bed Assembly Instructions

10



**Step#10**

Insert/Roll the drawer under the bed.

Factory installed guide rail keeps drawer centered.

**CONGRATULATIONS ON YOUR NEW BED PURCHASE**

~Warning: do not move bed after final assembly as it may result in damages to floor and/or bed.~