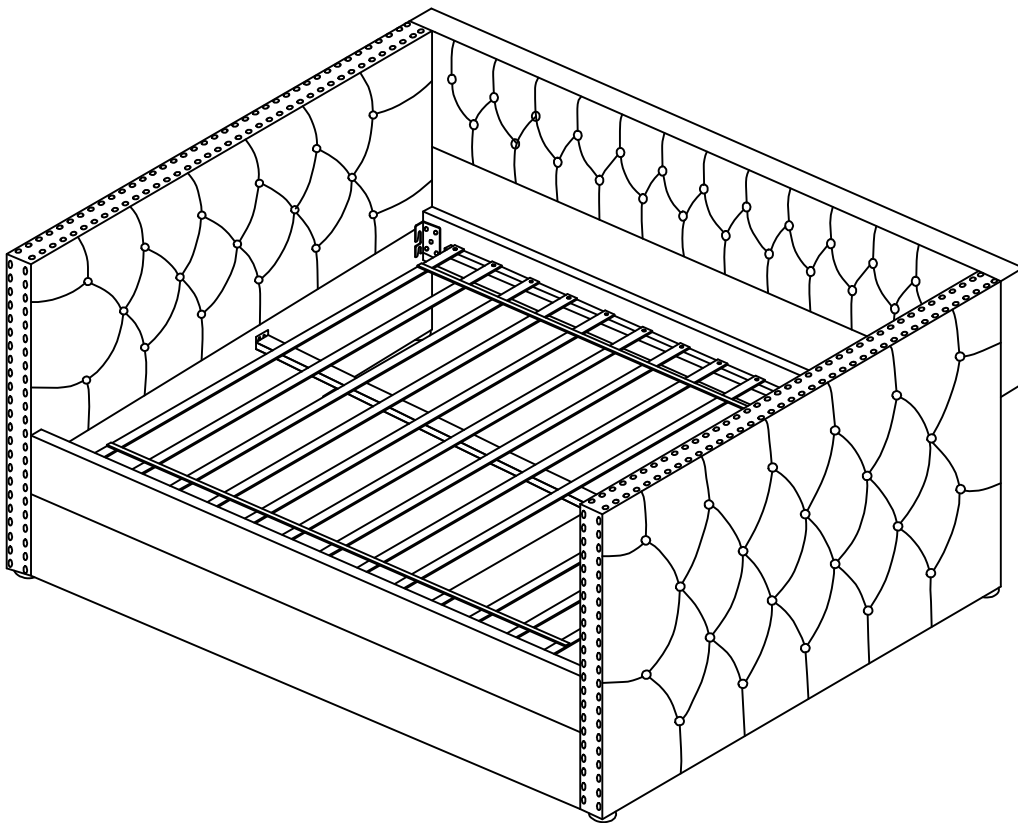


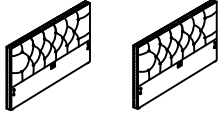
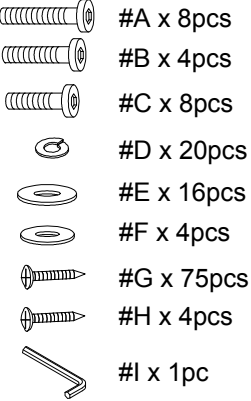
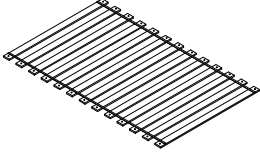
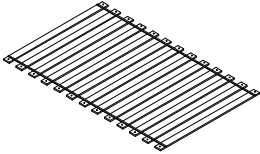
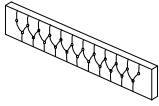
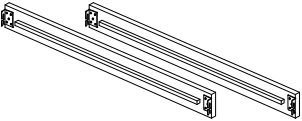
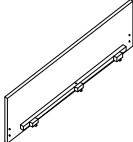
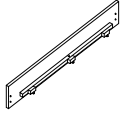
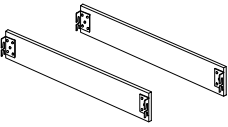
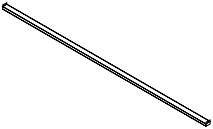
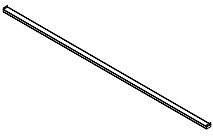

# Day Bed

## ASSEMBLY INSTRUCTIONS

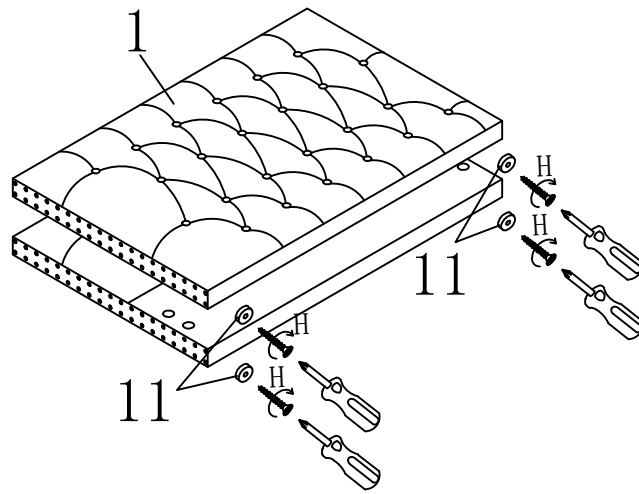


TWO PEOPLE ARE NEEDED TO ASSEMBLE THIS BUNK.

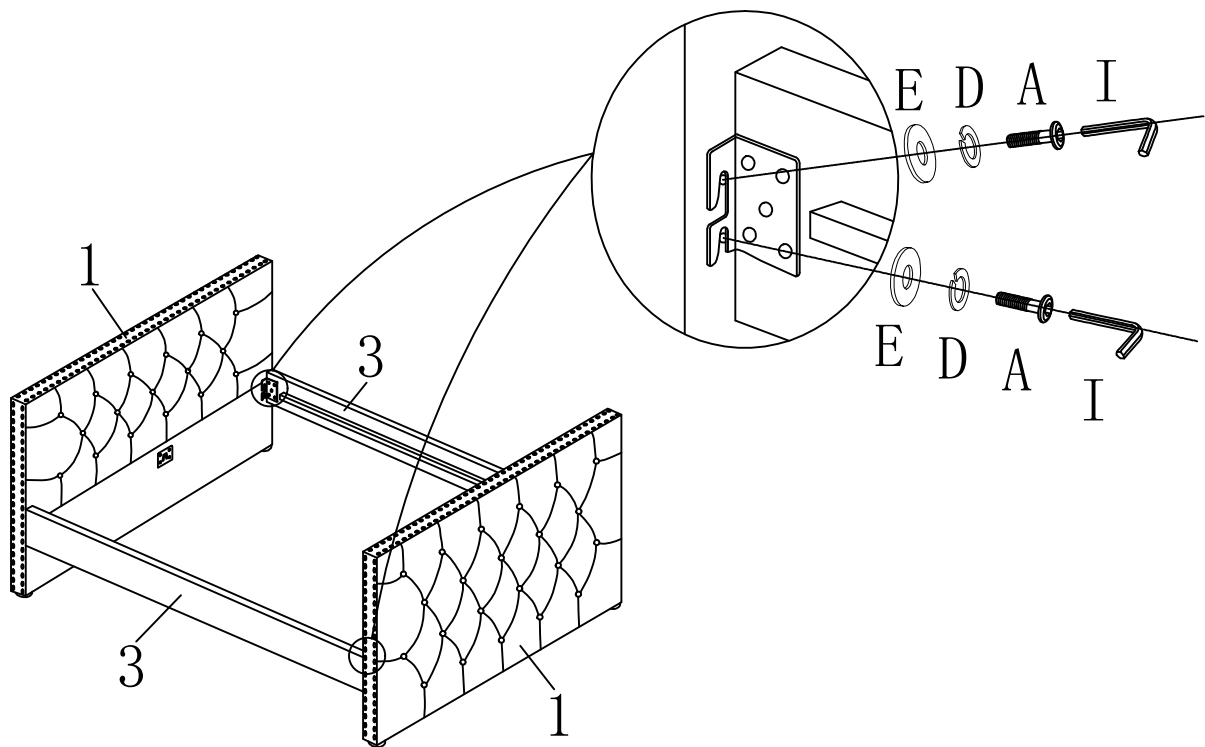
# BOX CONTENTS

BOX	DESC.	PARTS	PARTS	Hardware
<b>5335-ARM (BOX 1)</b>	Arm (L&R)	#1		
	Slat Up	#7		
	Slat Down	#8		
<b>5335-BACK (BOX 2)</b>	Top Back Panel	#2		
	Top Side Rail	#3		
	Bottom Front Panel	#4		
	Bottom Back Panel	#5		
	Bottom Side	#6		
	Top center wood supportor (long)	#9		
	Top center wood supportor (short)	#10		
	Plastic feet	#11		

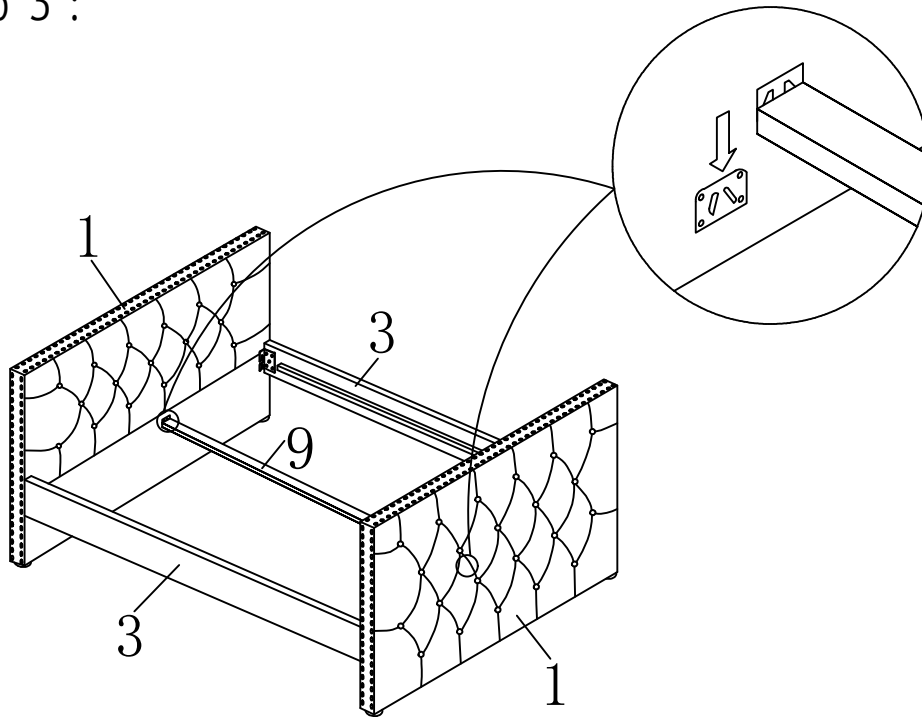
Step 1 :



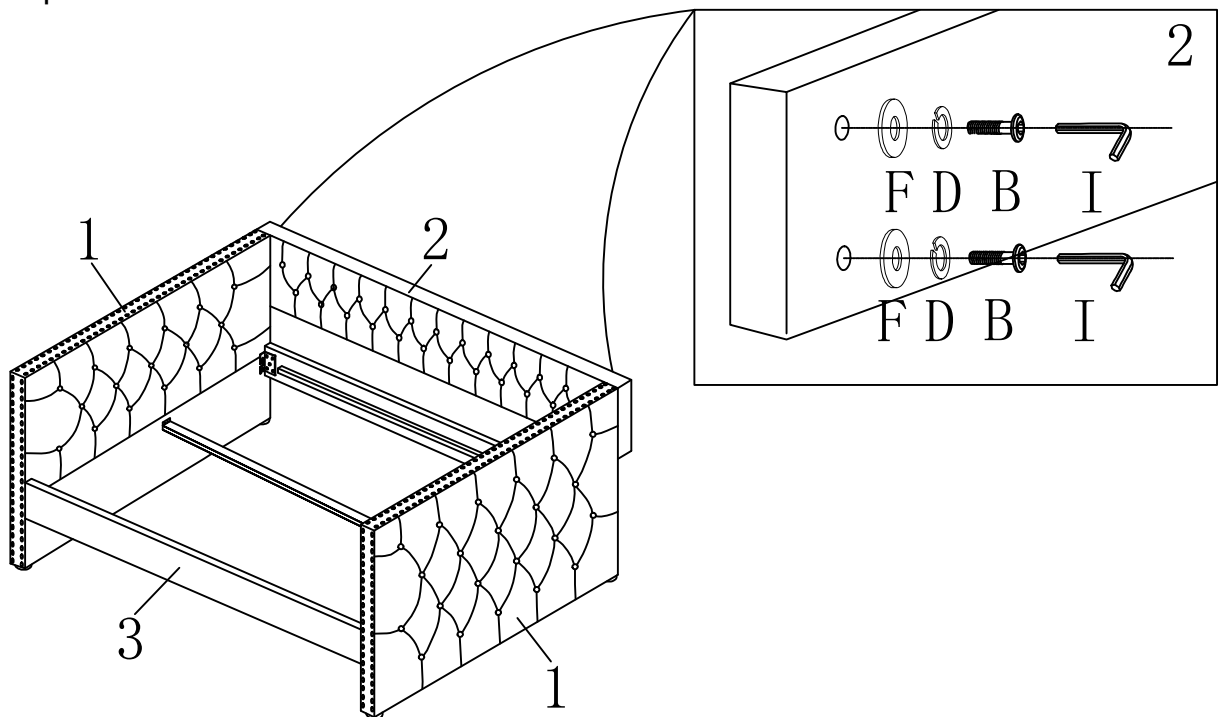
Step 2 :



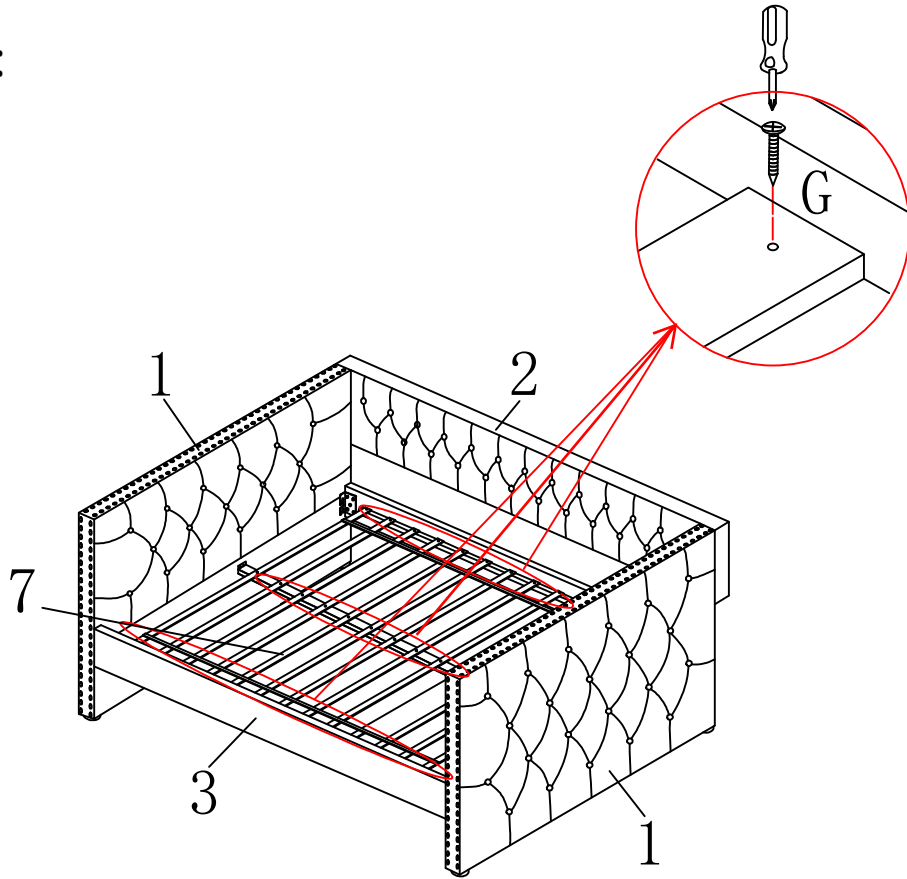
Step 3 :



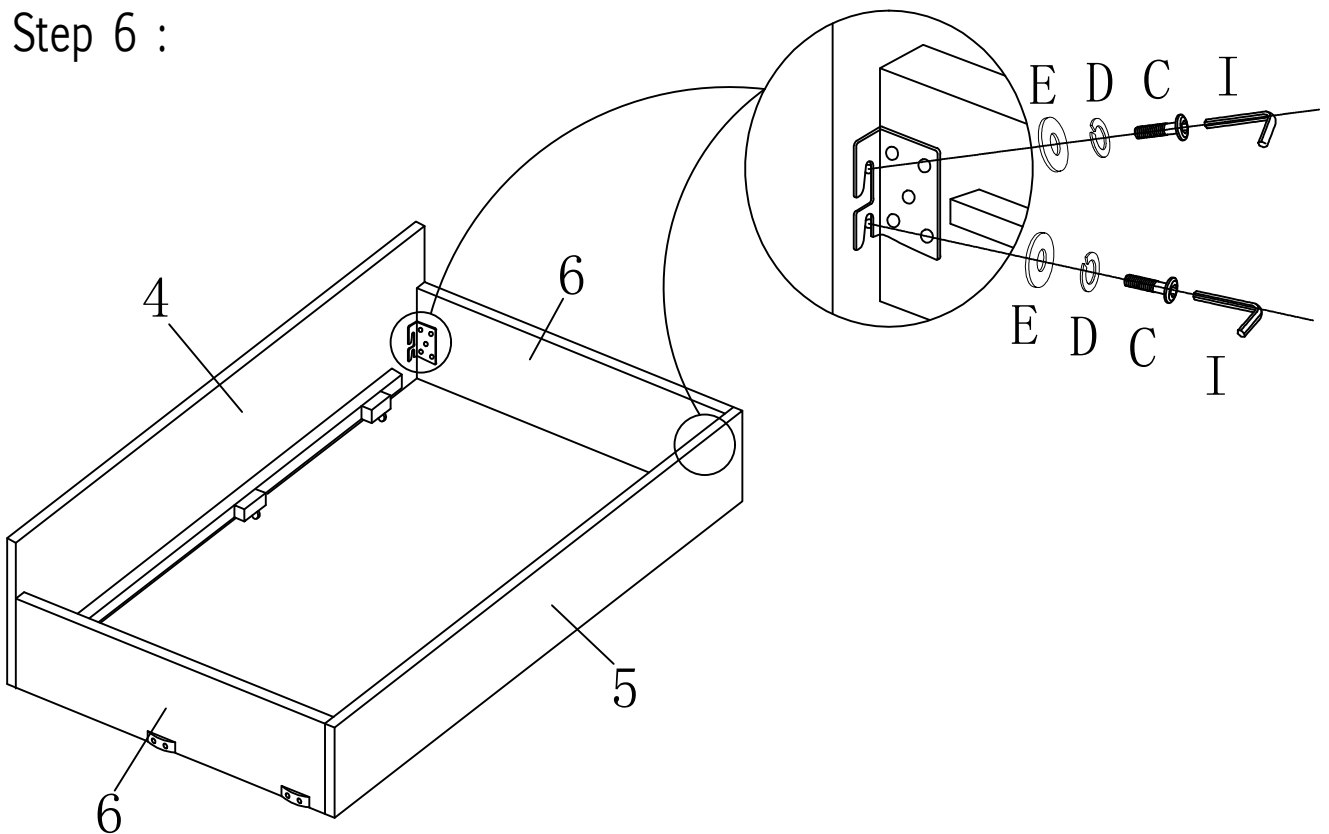
Step 4 :



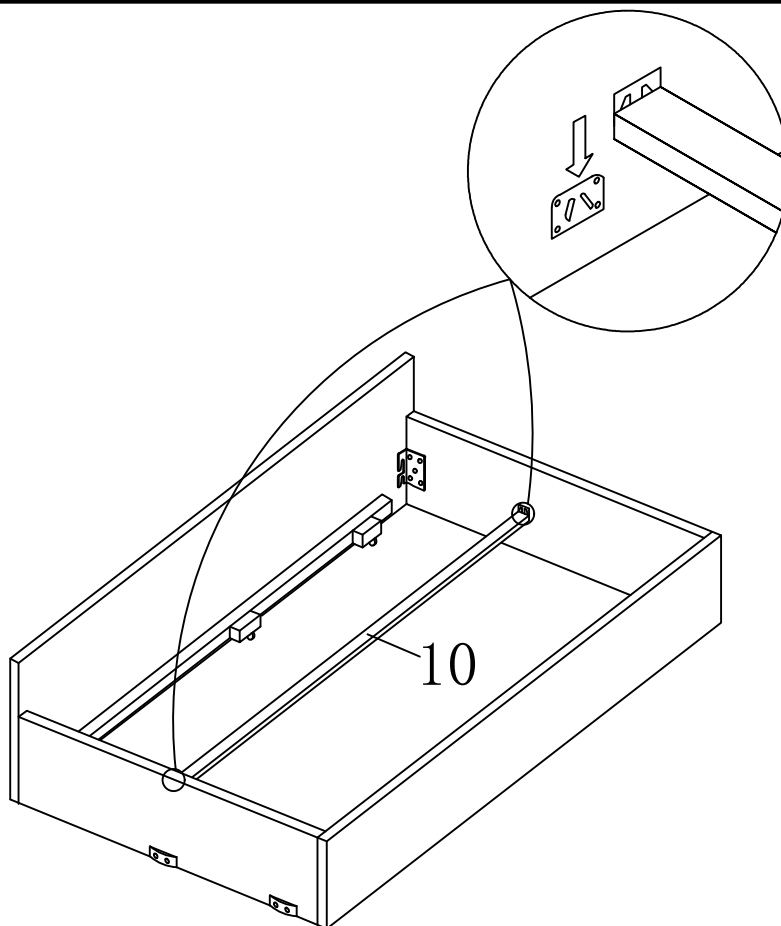
Step 5 :



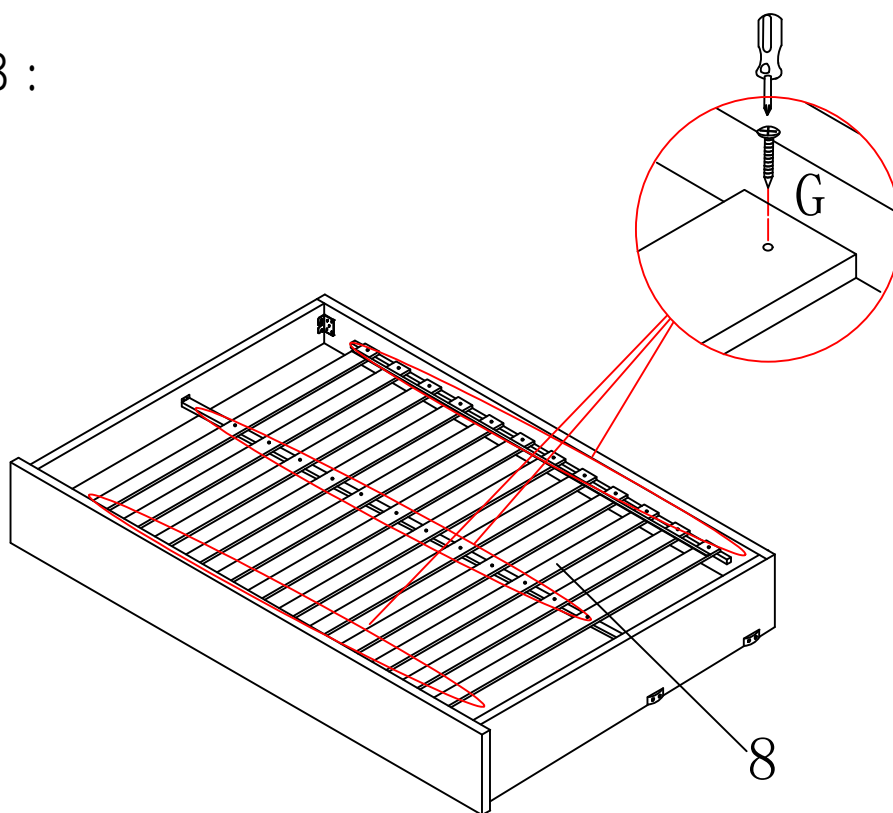
Step 6 :



Step 7 :



Step 8 :



Step 9 :

